



IRRIGATION CATALOG

Agriculture

PROFESSIONAL IRRIGATION SYSTEMS
... FOR A SUSTAINABLE WORLD

19

The company VYR S.A.



VYR S.A. is a Spanish company with over 45 years of experience in the manufacture of sprinklers and irrigation systems. Today is one of the leading irrigation companies and has an international presence on the five continents through a network of distributors in over 90 countries worldwide.

One feature that has always defined our brand, and that always has concerned us, is to achieve the highest quality. So we want to thank all those who have placed their trust in VYR and from there to ensure that the quality and good service will always be our reason for being.

Our mission: To manufacture high quality and reliable sprinkler irrigation equipment to increase energy efficiency, create high coefficients of uniformity in irrigation and improve water saving, thus increasing productivity and effectiveness to our customers.





MANUFACTURER Production 100%

CASTING FOUNDRY - PLASTIC INJECTION - STAMPING - DIECUTTING - MECHANIZATION
ASSEMBLING - ELECTRONICS - R+D+i - QUALITY ASSURANCE - LOGISTICS - TECH SUPPORT

The **I+D+i** (Research, Development and Innovation) of new products, quality control and implementation of the latest technological advances in the manufacturing process, make our brand to be the best tool to win our customers confidence.

TECHNICAL SUPPORT AND TRAINING: VYR S.A. offers to all our customers the technical support to develop your projects more easily and effectively. There are also different training courses to learn how to get the best possible performance for all VYR products.

QUALITY ASSURANCE: The quality is guaranteed at VYR S.A. by our AENOR certificate that proves we are under the **ISO 9001:2000** (Quality Control) regulations, and **UNE 16002** (I+D+i).



Color code index

16-118 AGRICULTURAL SPRINKLERS

- LOW FLOW

| | | | |
|-------------------------------|--------|-------------------------------|--------|
| - VYR-3000 MICRO-TWISTER..... | Pg. 16 | - VYR-802 AG..... | Pg. 30 |
| - VYR-3100 MINI-SPINNER..... | Pg. 18 | - VYR-26 LA..... | Pg. 32 |
| - VYR-868 / 968..... | Pg. 20 | - AGRO-STAND..... | Pg. 34 |
| - VYR-59 MERCEDES..... | Pg. 21 | - ACCESSORIES AGRO-STAND..... | Pg. 35 |
| - VYR-3250..... | Pg. 22 | - VYR-3 / 3W..... | Pg. 36 |
| - VYR-4000 LA ROTEC..... | Pg. 24 | - VYR-25 L..... | Pg. 38 |
| - VYR-16..... | Pg. 26 | - VYR-28..... | Pg. 40 |
| - VYR-26..... | Pg. 28 | - VYR-50 AG..... | Pg. 42 |

- MEDIUM FLOW

- Anti-Frost Sprinklers

| | |
|-----------------|--------|
| - VYR-23..... | Pg. 46 |
| - VYR-33 P..... | Pg. 48 |
| - VYR-33..... | Pg. 50 |

- MEDIUM FLOW

- Medium Flow "Full circle"

| | |
|-----------------------|--------|
| - VYR-4000 ROTEC..... | Pg. 64 |
| - VYR-35..... | Pg. 66 |
| - VYR-36..... | Pg. 68 |
| - VYR-37..... | Pg. 70 |
| - VYR-46..... | Pg. 72 |
| - VYR-56..... | Pg. 74 |
| - VYR-70..... | Pg. 76 |

PART-CIRCLE SPRINKLERS

- Low Flow "Part Circle"

| | |
|-------------------|--------|
| - VYR-50 AG..... | Pg. 90 |
| - VYR-80 AG..... | Pg. 92 |
| - VYR-803 AG..... | Pg. 94 |
| - VYR-802 AG..... | Pg. 96 |

- Medium Flow "Part Circle"

| | |
|---------------|---------|
| - VYR-60..... | Pg. 98 |
| - VYR-66..... | Pg. 100 |
| - VYR-67..... | Pg. 102 |

- Sprinklers for PIVOT

| | |
|-----------------------------------|--------|
| - VYR-3300 PÍVOT SPRAYER..... | Pg. 54 |
| - VYR-3400 TURBO-ROTEC..... | Pg. 56 |
| - VYR-46..... | Pg. 58 |
| - VYR-19 PRESSURE REGULATORS..... | Pg. 60 |
| - VYR-160-144-100 GRILLO..... | Pg. 61 |

- High Flow "Full circle"

| | |
|------------------|--------|
| - VYR-70 VC..... | Pg. 78 |
| - VYR-70 VL..... | Pg. 80 |
| - VYR-86..... | Pg. 82 |
| - VYR-144 C..... | Pg. 84 |
| - VYR-155..... | Pg. 86 |

- High Flow "Part Circle"

| | |
|------------------|---------|
| - VYR-65..... | Pg. 104 |
| - VYR-166..... | Pg. 106 |
| - VYR-150..... | Pg. 108 |
| - VYR-160..... | Pg. 110 |
| - VYR-144 S..... | Pg. 112 |
| - VYR-175..... | Pg. 114 |

- High Flow Guns "Part Circle"

| | |
|-----------------------|---------|
| - VYR-100 GRILLO..... | Pg. 116 |
| - VYR-157..... | Pg. 118 |

122-144 CONTROLLERS AND TELE-MANAGEMENT SYSTEMS

LATCHING BATTERY CONTROLLERS

- Battery Operated Latch Controllers

| | |
|---------------------------------|----------|
| - VYR-6053 BT..... | Pág. 122 |
| - VYR-6060 AMPHIBIO..... | Pág. 124 |
| - VYR-6060 AMPHIBIO REMOTE..... | Pág. 125 |
| - VYR-6010 MASTER-LATCH..... | Pág. 126 |
| - - CAP-6025 RADIO COM..... | Pág. 127 |
| - HYDROPLUS..... | Pág. 128 |

- Power Controllers

| | |
|-------------------------------|----------|
| - VYR-6015 2WIRE-DECODER..... | Pág. 130 |
| - SKYDROP ARC..... | Pág. 132 |
| - SKYDROP PLUS..... | Pág. 134 |

- Accessories for Controllers

| | |
|---------------------------|----------|
| - CABINET AND BOXES..... | Pág. 136 |
| - CONNECTIONS..... | Pág. 137 |
| - SENSORS..... | Pág. 138 |
| - RECHARGING SYSTEMS..... | Pág. 141 |
| - METEO STATIONS..... | Pág. 142 |

- VALVES**- Hydrant Valves**

- VYR-81-82-83..... Pg. 146

- VYR-81P-82P-83P..... Pg. 147

- Micro-Valves

- VYR-6230..... Pg. 148

- Solenoid Valves

- VYR-6160 PRECISSION..... Pg. 149

- VYR-6151 HIGH-FLOW..... Pg. 150

- Hydraulic Valves and Accessories

- VYR-6152 PLASTIC 2" and 3"..... Pg. 152

- VYR-6110 PLASTIC MODULAR 4"..... Pg. 154

- VYR-6110 METAL THREAD..... Pg. 156

- VYR-6115 METAL SLOT..... Pg. 157

- VYR-6111 METAL BRIDA..... Pg. 158

- VYR-6112 METAL DOUBLE-BODY..... Pg. 159

- VYR-6120 METAL HYDRANTS..... Pg. 163

- FLOW-METERS..... Pg. 166

- ELECTROMAGNETIC FLOW-METERS..... Pg. 168

- ACCESSORIES HYDRAULIC VALVES..... Pg. 170

- PRESSURE GAUGES..... Pg. 171

- SOLENOIDS..... Pg. 172

- HYDRAULIC RELAY..... Pg. 174

- REGULATION PILOTS..... Pg. 175

- HYDRAULIC PILOTS..... Pg. 176

- HYDRAULIC RACORDS..... Pg. 178

- HYDRAULIC ACCESSORIES..... Pg. 179

- Fixed Pressure Regulators

- VYR-19..... Pág. 180

- VYR-19 HF..... Pág. 182

- Air Release Valves

- VYR-39 SIMPLE ACT..... Pág. 184

- VYR-39 DOBLE-TRIPLE-ACT..... Pág. 185

- VYR-39 TRIPLE-ACT..... Pág. 186

- Agro-Stand..... Pág. 190

- Agro-Flat..... Pág. 191

- Agro-Pipe..... Pág. 192

- Agro-Rain..... Pág. 194

- Connectors and Racords

- Connectors..... Pág. 198

- Modular Manyfolds..... Pág. 200

- Hose Couplers..... Pág. 201

- Clamps..... Pág. 203

- Lanzas y Pistolas de Riego

- Hose Nozzles..... Pág. 204

- Ball Valves

- VYR-17..... Pág. 205

- VYR-30 Artic..... Pág. 205

- VYR-32..... Pág. 206

- VYR-31..... Pág. 207

- Sprinkler Stands

- VYR-87 Sleds and Tripods..... Pág. 208

- VYR-76 Spike and Base Stands..... Pág. 209

- Hoses and accessories..... Pág. 210

- Filtration and Dosing

- Manual Filters..... Pág. 212

- Hydraulic Injectors..... Pág. 213

- Venturi Injectors..... Pág. 214

- Generale Technical Data..... Pág. 216

- Garantty and Support..... Pág. 220

- Nozzles Tables..... Pág. 221



New Products 2019



New nozzles VYR-3000 - VYR-3100

We expanded the range of modular micro-sprinkler nozzles offering multiple mounting combinations.
 FLOW: 30 - 160 L/H
 RANGE: 1 - 8,5 m
 PRESSURE: 1,1 - 3 BAR

Pág. 12



VYR-4000 "ROTEC"

Rotating plastic sprinkler 3/4 "male. Optional deflector for 180° sector. Interchangeable nozzles, plates and motor with color code.
 FLOW: 630 - 1900 L/H
 RANGE: 6 - 15 m
 PRESSURE: 1,5 - 3 BAR

Pág. 60



VYR-4000 LA 8° y 12°

1/2" male circular rotating plastic sprinkler. Optional deflector for 180° sector. Interchangeable nozzles, plates and motor with color code.
 FLOW: 200 - 700 L/H
 RANGE: 4 - 8 m
 PRESSURE: 1,5 - 3 BAR

Pág. 20



VYR-3400 TURBO-ROTEC

Rotary sprinkler with silicone brake for reverse irrigation in pivot. Interchangeable nozzles, plates and motor with color code.
 FLOW: 100 - 6000 L/H
 RANGE: 2,5 - 8 m
 PRESSURE: 1 - 3 BAR

Pág. 52



VYR-67

Full circle / part-circle sprinklers 3/4 "male / female in plastic. Two bayonet nozzles with angles of 25° and 30°.
 FLOW: 600 - 3200 L/H
 RANGE: 10 - 15 m
 PRESSURE: 2 - 4 BAR

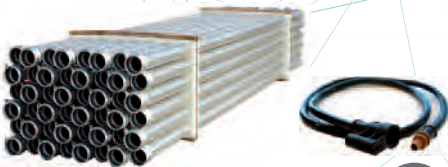
Pág. 66/98



VYR-175 MINI-GUN of 11/2"

Full-circle / part-circle sprinkler 3/4 "male / female in aluminum, brass and plastic. Two nozzles with angles of 27° and 22°.
 FLOW: 9000 - 32000 L/H
 RANGE: 20 - 35 m
 PRESSURE: 2 - 6 BAR

Pág. 110



Hydro-NET

Fix and Mobile Coverage Pipe Systems
 We offer one of the widest ranges of the market in pipe and all types of fittings and accessories for the installation of mobile and fixed coverage systems in irrigation projects.

Pág. 190



Hydro-CAD

Irrigation Design Software
 Design program for drip and sprinkler irrigation systems, hydraulic sizing, with export of bills of material and valuation thereof.

Pág. 8



Hydro-PLUS

Remote Control Software (APP)
 This is our web environment program or downloadable free from the stores for IOS or ANDROID for the remote control of all our programmers with HydroPLUS communications access.

Pág. 124

New Products 2019



Pág. 118

PG-6053 LATCH 9 Vdc "BlueTooth"
"LATCH" programmer with 2 AAA 1.5 Vdc batteries. Connectivity through BLUETOOTH 5.0 through a downloadable APP for free for IOS and ANDROID mobile devices. Manual opening and closing with status light. Fittings for connection to faucet 1" H and 3/4" H and output 3/4" M or hose express fittings.



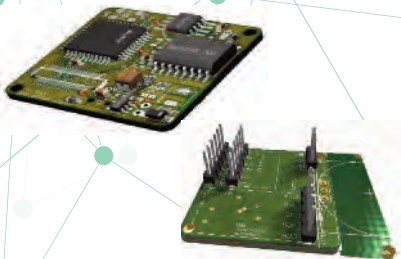
Pág. 120

PG-6060 LATCH 9Vdc
"LATCH" programmer with 6 AAA Vdc or 9Vdc alkaline batteries. It has three models of 1, 4 and 6 stations, with 3 programs and 8 stations per program. Logical and easy to operate from membrane keypad with 6 keys. Quick manual opening and closing from the keyboard.



Pág. 122

PG-6010 3.0
New re-design of PG-6010 programmer "LATCH" with 9-12Vdc power supply. This new version now has a FERTIRRIGATION program and a program of IRRIGATION ON DEMAND, in addition to other existing irrigation programs or filters. It also has remote control Hydro-PLUS.



Pág. 123

COMUNIC. LORA BRICKS / WiFi / 4G
New modular BRICK cards to connect PG-6010, PG-6011 and PG-6060 programmers and provide these with remote connectivity to our HydroPLUS application. LORA communication with great coverage and connection to the network through 3G / 4G, WiFi or BlueTooth



Pág. 124

PG-6011 WD 3.0
Version similar to the current programmer PG-6010 3.0 but with 24Vac power and DECODER system for opening and closing up to 127 valves through 2 wires. It has 1 or 2 valve decoders. It also has remote control Hydro-PLUS.



Pág. 126

SKYDROP ARC
Smart Controller WiFi of 24 Vac.
Electric programmer for indoor / outdoor 24 Vac. which interacts with local meteorological data. Models of 8 and 16 stations, valve, master, inhibition sensors (rain sensor), calendar, etc. Easy to install and manage from any mobile device through the APP.



Pág. 152

VYR-6154 Modular Hydraul. Valve 4"
New 4" hydraulic valve made of plastic with modular connection of different type: FEMALE THREAD, FLANGE, GROOVE, PVC GLUE, PE ELECTRO-SOLDILE. Flow range of 20-170 m³ / H and two versions in PN-6 and PN-10.



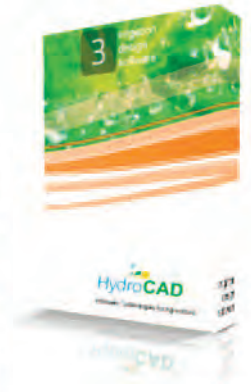
Pág. 170

Pressure Reg Pilot for Solenoid Valves
New pressure regulator pilot as an accessory for all our electro-valves. It has a lateral mini-manometer for regulation. Regulation range from 1 to 10 BAR.



Pág. 167

EM-700-800 Electro-Magnetic Flow Meters and Transmitter M-500
New range of electro-magnetic flowmeters from DN-50 to DN-1000 with a measuring range of up to 800 m³ / H. Digital data transmitter and accumulator reader M-500.



VYR S.A. It has a specialized department for the calculation and design of all types of sprinkler irrigation projects. From its initial measurement and topographic phase of the land to the hydrographic calculation and design of the spacings between sprinklers and laterals. Our engineers will offer you the best possible solution according to your needs.

These are some of the different services that VYR S.A. it can offer:

- Data collection (topography, soil type, prevailing winds, availability of flow and pressure, measurements of tillage machinery, types of crops, weather, etc.).
- Conceptual design and choice of "Method" (See page 190).
- Topographic calculation.
- Differences in height and pressure. Design of supply rafts.
- Pumping and filtration calculations.
- "Ferti-Irrigation" options with injectors.
- Calculation of crop water needs (crop coefficients and Ep).
- Spacing between sprinklers and sides. Retranqueo in perimeters.
- Complete list of construction materials.
- Hydraulic sizing of pipes and hydrants.
- Civil Works contracting plan.
- Automation of the system and options of Control and Tele-management.
- Integration in Irrigation Communities.
- Start up.
- Advice and training for maintenance.



Let yourself be advised by our professionals to get the most out of your irrigation systems

The wide experience and our engineering capacity will bring you the highest efficiency and the best production results.

DOWNLOAD MAPS AND TOPOGRAPHY

DESIGN OF HYDRAULIC NETWORK AND DIMENSIONING

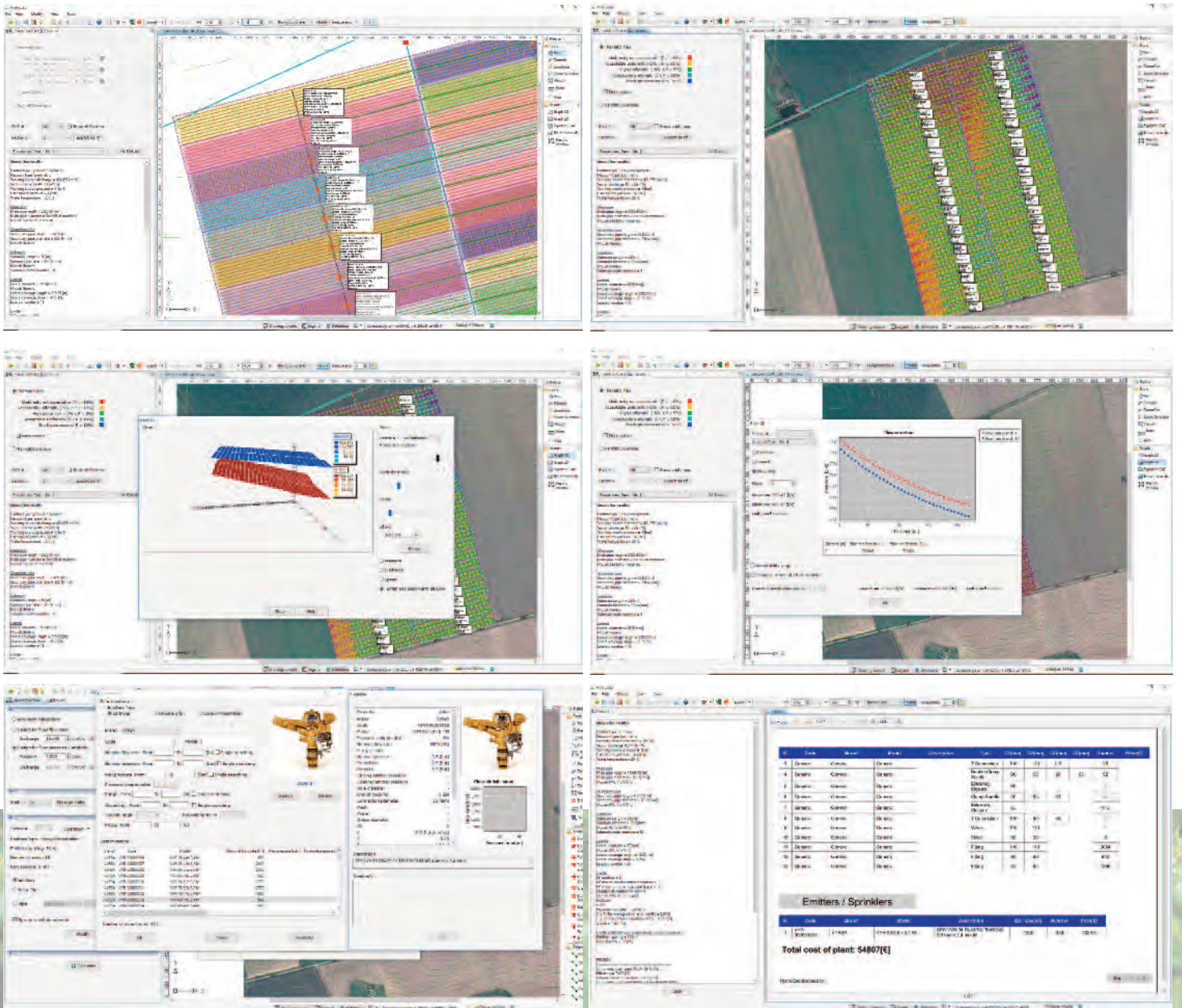
CHOICE OF MATERIALS

MAP OF SECTORIZATION AND CALCULATION OF CU's

LIST OF VALUED MATERIALS

ANALYSIS OF RESULTS

Menus and Intuitive Screens



DRIP MICRO-SPRINKLERS SPRINKLERS

Irrigation Methods

Contact our technical department for the development of custom projects with our HYDRO-CAD software.



The most appropriate system for your fields

- There are different methods of applying sprinkler systems depending on various factors: crop type, land extension, water requirements, soil texture, etc. VYR S.A. has created a series of adaptable designs to different types of crops depending on seasonality and hydraulic design models.
- We can differentiate into 2 groups, mobile systems and fixed systems, and within these sub-groups:
 - **Mobile Systems:**
 - Low flow mobile coverage systems **Agro-Stand & Agro-Flat**.
Spacing up to 12x12 m
 - Medium flow aluminium /plastic mobile system, **Agro-Pipe**.
Spacing up to 12x12 up to 28x28 m
 - Medium flow mix aluminium/PE-PVC mobile systems-PE/PVC.
Spacing up to 12x12 up to 28x28 m
 - Side-Rolls.
 - **Fix Systems:**
 - Semi-fix coverage system. Secondary lines buried and mobile laterals.
 - Systems with main line buried and branch lines with hydrant outlets.
 - Automatic fix underground system (**Agro-Rain**).
Spacing from 15 up to 24 m (18x18 standard).
Long range spacing of 28x28 m

INVESTMENT AND PROFITABILITY:

- When deciding on the ideal method of irrigation projects you should take into account not only the initial investment costs of equipment and civil works but should also consider maintenance costs, profitability and efficiency.

There will not be a good investment just by buying a cheap irrigation system if later you will not get an optimal crop production and if maintenance costs are constant and costly (labor, energy costs, spare parts, etc). We believe that to make such decisions should take a minimum amortization period of 10 years to know the final cost of the system.

Be informed by our professionals to offer the solution with the irrigation method that best suits your needs and cultures.



CROP APPLICATIONS

The irrigation solution for each type of crop

Cereals

Irrigation systems fixed and mobile automatic extension. Recommended automation and sectorization for maximum performance.



Download from our website
www.vyrsa.com
 irrigation recommendations
 technical reports in different
 crops.



Horticultural and Tuberculous

High-rotation automatic and fixed irrigation systems. Stationary systems adaptable for variation of flow rates and irrigation frames with high frequency.



Fruit Trees

Automatic fixed and mobile irrigation systems adapted to trellises and sub-arboreal and over-arboreal irrigation. Anti-freeze irrigation systems.



Pastures and Forages

Irrigation systems mainly fixed.
 Automation of meteorological adaptation and use of fertigation.



Greenhouses and Nurseries

Drip irrigation systems, nebulization and micro-spraying. Fixed and mobile with high automation. Hydroponics systems.



Citrus

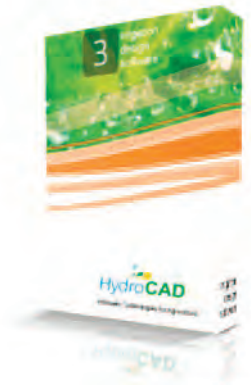
Irrigation systems fixed and mobile automatic extension. It is convenient to have sub-arboreal irrigation (drip or micro sprinkling) and over-arboreal (sprinkling).



Sugar Crops

Irrigation systems fixed and mobile automatic extension. Wide irrigation frames. Recommended automation and sectorization for maximum performance.





Design, calculation and projects sizing

VYR.S.A. has specialized for the calculation and design of all types of sprinkler irrigation projects . Since its initial phase and topographic measurement of the land to the hydrographic calculation and design of sprinkler and lateral spacings. Our engineers will offer the best possible solution for your needs.

These are some of the different engineering design services VYR.S.A. can offer:

- Collection of data (topography, soil type, prevailing winds, availability of flow and pressure measurements machinery tillage, crop types, meteorology, etc.).
- Conceptual design and choice of best "Method" (See page 190).
- Topographic calculus.
- Differences in height and pressure. Design supply rafts.
- Calculations pumping and filtration.
- Options "Ferti-Irrigation" with injectors.
- Calculation of crop water requirements. (Crop coefficients and Ep).
- Spacing between sprinklers and laterals. Setback in perimeters.
- Full list of building materials.
- Sizing of hydraulic pipes and hydrants.
- Plan procurement of Civil Works.
- System Automation and Control options and Tele-management.
- Integration Irrigation Communities.
- Start up.
- Advice and training for maintenance.

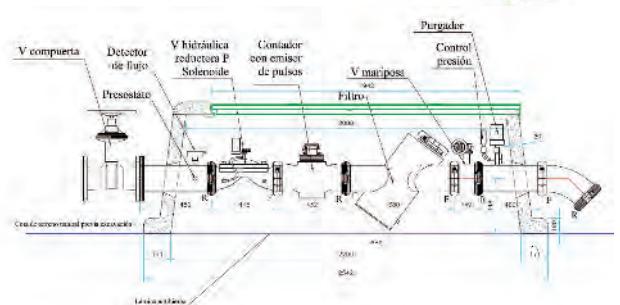
Be informed by our professionals to get the most out of our irrigation systems.

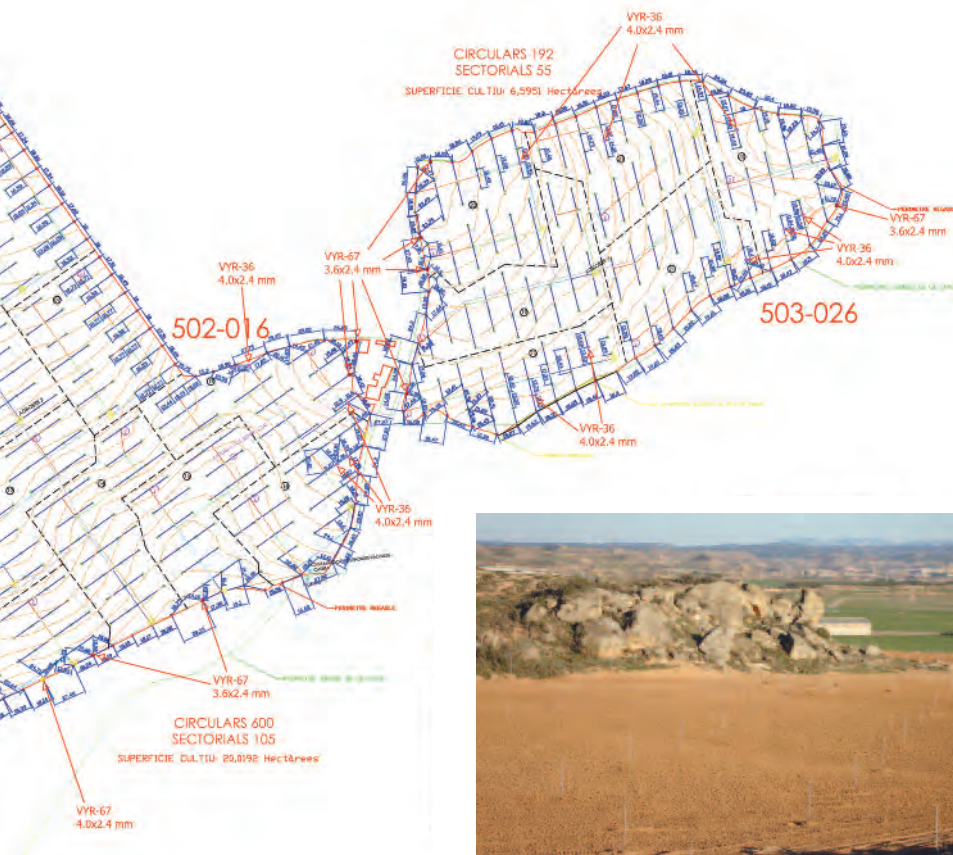
The extensive experience and our engineering capabilities will provide greater efficiency and better production results.



Supply of equipment and materials (BOM):

- Our engineers will provide the best solutions in the design of irrigation taking into account all the components that in turn will supply:
 - Sprinklers. The widest range on the market!
 - Pipes, fittings and special adapters.
 - Filtration and dosage of fertilizers.
 - Hydraulic valves and solenoid valves.
 - Suction, pressure regulators and flow regulators.
 - Control Systems and Tele-management and automation and sensors.
 - Pumping Systems.
 - Manifolds and other watering accessories.









Agriculture

Low Flow Irrigation

- VYR-3000 MICRO-TWISTER..... Pg. 16
- VYR-3100 MINI-SPINNER..... Pg. 18
- VYR-868 / 968..... Pg. 20
- VYR-59 MERCEDES..... Pg. 21
- VYR-3250..... Pg. 22
- VYR-4000 LA ROTEC Pg. 24
- VYR-16..... Pg. 26
- VYR-26..... Pg. 28
- VYR-802 AG..... Pg. 30
- VYR-26 LA..... Pg. 32
- AGRO-STAND..... Pg. 34
- ACCESORIOS AGRO-STAND..... Pg. 35
- VYR-3 / 3W Pg. 36
- VYR-25 L..... Pg. 38
- VYR-28..... Pg. 40
- VYR-50 AG..... Pg. 42

VYR-3000 Micro-Twister



VYR-3000 MICRO-TWISTER · AG Micro-Sprinklers

GENERAL PROPERTIES:

- Modular assembly system.
- Quick barb and threaded connection.
- Manufactured in plastic Delrin for durability.
- Easy maintenance and cleaning.
- Nozzles in different color codes. Modular assembly system.
- Radius of irrigation: 360°
- Optional anti-bugs cap.

TECHNICAL SPECIFICATIONS:

- Range: 0.4 - 8.5 m
- Flow: 30 - 160 l/h. Auto-compensation optional!
- Working pressure: 1.1 - 3 BAR
- Nozzles: Bayonet nozzles color coded.
- Nozzle angle: From 8° to +25°
- Maximum jet height: 1.3 m

MODELS:

- Ref. 430001: Body.
- Ref. 430002: Black swivel, long range.
- Ref. 430003: Blue swivel, short range.
- Ref. 430004: Grey swivel, with deflector.
- Ref. 430005: Green swivel, upside down.
- Ref. 430006: Violet difuser.
- Ref. 430007: Anti-bugs cap.

- Ref. 430120: Grey nozzle with barb.
- Ref. 430121: White nozzle with barb.
- Ref. 430122: Brown nozzle with barb.
- Ref. 430123: Blue nozzle with barb.
- Ref. 430124: Green nozzle with barb.
- Ref. 430125: Yellow nozzle with barb.
- Ref. 430126: Violet nozzle with barb.
- Ref. 430127: Black nozzle with barb.
- Ref. 430128: Red nozzle with barb.

- Ref. 430220: Grey nozzle with thread Ø 4,5 mm
- Ref. 430221: White nozzle with thread Ø 4,5 mm
- Ref. 430222: Brown nozzle with thread Ø 4,5 mm
- Ref. 430223: Blue nozzle with thread Ø 4,5 mm
- Ref. 430224: Green nozzle with thread Ø 4,5 mm
- Ref. 430225: Yellow nozzle with thread Ø 4,5 mm
- Ref. 430226: Violet nozzle with thread Ø 4,5 mm
- Ref. 430227: Black nozzle with thread Ø 4,5 mm
- Ref. 430228: Red nozzle with thread Ø 4,5 mm

- Ref. 430240: Grey nozzle with thread 1/8"
- Ref. 430241: White nozzle with thread 1/8"
- Ref. 430242: Brown nozzle with thread 1/8"
- Ref. 430243: Blue nozzle with thread 1/8"
- Ref. 430244: Green nozzle with thread 1/8"
- Ref. 430245: Yellow nozzle with thread 1/8"
- Ref. 430246: Violet nozzle with thread 1/8"
- Ref. 430247: Black nozzle with thread 1/8"
- Ref. 430248: Red nozzle with thread 1/8"

- Ref. 430131: Spike 40 cm
- Ref. 430132: Double barb connector.
- Ref. 430133: Connector barb and thread Ø 4,5 mm
- Ref. 430134: Double thread connector Ø 4,5 mm
- Ref. 430135: Up-side-down weight stabilizer.
- Ref. 430136: Micro-pipe 6,5x4,5 mm of 60 cm (1000 meters).

- Ref. 430506: Self-comp. valve 22 l/h SILVER (6 GPH).
- Ref. 430508: Self-comp. valve 30 l/h ORANGE (8 GPH).
- Ref. 430510: Self-comp. valve 38 l/h BLUE (10 GPH).
- Ref. 430512: Self-comp. valve 45 l/h GREY (12 GPH).
- Ref. 430514: Self-comp. valve 53 l/h VIOLET (14 GPH).
- Ref. 430517: Self-comp. valve 64 l/h GREEN (17 GPH).
- Ref. 430520: Self-comp. valve 76 l/h YELLOW (20 GPH).
- Ref. 430525: Self-comp. valve 95 l/h RED (25 GPH).

TABLES & PARTS

| Número máximo de microaspersores en lateral (Maximum number of micro-sprinklers) | | | | | | | |
|---|--|--|----|----|----|----|----|
| Modelo Model | Diámetro tubería Pipe diameter (mm) | Separación de microaspersores* Spacing between micro-sprinklers (m) | | | | | |
| | | 2 | 3 | 4 | 5 | 6 | 7 |
| Gris / Grey 30L | 16 | 25 | 21 | 19 | 17 | 16 | 13 |
| | 20 | 41 | 36 | 33 | 30 | 28 | 27 |
| | 25 | 58 | 52 | 47 | 46 | 42 | 38 |
| Blanco / White 40L | 16 | 22 | 18 | 16 | 16 | 13 | 12 |
| | 20 | 34 | 30 | 27 | 25 | 23 | 22 |
| | 25 | 49 | 43 | 39 | 36 | 34 | 32 |
| Marrón / Brown 50L | 16 | 18 | 16 | 13 | 12 | 11 | 11 |
| | 20 | 30 | 26 | 23 | 22 | 20 | 19 |
| | 25 | 43 | 39 | 34 | 31 | 29 | 28 |
| Azul / Blue 60L | 16 | 15 | 13 | 12 | 11 | 10 | 9 |
| | 20 | 26 | 23 | 21 | 19 | 18 | 17 |
| | 25 | 38 | 33 | 30 | 28 | 26 | 24 |
| Negro / Black 70L | 16 | 14 | 11 | 10 | 9 | 8 | 8 |
| | 20 | 23 | 20 | 18 | 16 | 15 | 14 |
| | 25 | 33 | 29 | 26 | 24 | 22 | 21 |
| Verde / Green 80L | 16 | 11 | 10 | 9 | 8 | 7 | 7 |
| | 20 | 20 | 17 | 16 | 14 | 13 | 12 |
| | 25 | 29 | 25 | 23 | 21 | 20 | 20 |
| Rojo / Red 100L | 16 | 10 | 8 | 7 | 7 | 6 | 6 |
| | 20 | 18 | 15 | 14 | 12 | 11 | 11 |
| | 25 | 26 | 22 | 20 | 18 | 17 | 16 |
| Amarillo / Yellow 120L | 16 | 7 | 8 | 8 | 7 | 7 | 6 |
| | 20 | 14 | 14 | 13 | 12 | 12 | 11 |
| | 25 | 21 | 20 | 19 | 17 | 16 | 15 |
| Violeta / Violet 160L | 16 | 6 | 5 | 4 | 4 | 3 | 3 |
| | 20 | 11 | 9 | 8 | 8 | 7 | 7 |
| | 25 | 17 | 14 | 12 | 11 | 11 | 10 |

*Presión de entrada 2 bar / Inlet pressure 2 bar

| Ecuación característica Discharge equation $q = k \cdot h^n$ | | |
|--|----------------------------|--------------------|
| Modelo Model | | q (l/h) · ft (mca) |
| Gris / Grey 30L | $q = 6.75 \cdot h^{0.51}$ | |
| Blanco / White 40L | $q = 8.17 \cdot h^{0.53}$ | |
| Marrón / Brown 50L | $q = 9.48 \cdot h^{0.54}$ | |
| Azul / Blue 60L | $q = 11.50 \cdot h^{0.53}$ | |
| Negro / Black 70L | $q = 13.44 \cdot h^{0.54}$ | |
| Verde / Green 80L | $q = 16.13 \cdot h^{0.54}$ | |
| Rojo / Red 100L | $q = 18.44 \cdot h^{0.55}$ | |
| Amarillo / Yellow 120L | $q = 21.54 \cdot h^{0.55}$ | |
| Violeta / Violet 160L | $q = 31.50 \cdot h^{0.55}$ | |



| Presión Pressure (bar) | Caudal / Flow (l/h) | | | | | | | | |
|---------------------------|---------------------|------------------------|------------------------|---------------------|-----------------------|-----------------------|---------------------|----------------------------|---------------------------|
| | Gris Grey 30L | Blanco White 40L | Marrón Brown 50L | Azul Blue 60L | Negro Black 70L | Verde Green 80L | Rojo Red 100L | Amarillo Yellow 120L | Violeta Violet 160L |
| 1.5 | 27 | 35 | 41 | 49 | 60 | 70 | 83 | 109 | 140 |
| 2.0 | 31 | 40 | 48 | 57 | 69 | 81 | 97 | 127 | 164 |



| | | | | Diámetro mojado / Wetted diameter (m) | | | | | |
|---------------------------|---------------------------------------|---------------------------|----------------------|---------------------------------------|----------------|------------------|----------------------------|-----------------------------|-----|
| Boquilla / Nozzle | | | | Bailarinas / Swivels | | | | Difusor / Sprayer | |
| Modelo Model | Orificio boquilla Nozzle size (mm) | Presión Pressure (bar) | Caudal Flow (l/h) | Largo Alcance* | Corto Alcance* | Con deflector* | Invertida** Upside Down | | |
| | | | | Long range | Short range | Stream deflector | 0.60 (m) 1.50 | Nebulizador Mist sprayer | |
| Gris / Grey 30L | 0.80 | 1.5 | 27 | 5.5 | 3.5 | 0.90 | 5.5 | 6.5 | 1.0 |
| | | 2.0 | 31 | 5.5 | 3.5 | 1.80 | 5.5 | 6.5 | 1.0 |
| Blanco / White 40L | 0.90 | 1.5 | 35 | 6.0 | 3.5 | 1.20 | 6.0 | 6.5 | 1.1 |
| | | 2.0 | 40 | 6.0 | 4.0 | 1.80 | 6.0 | 6.5 | 1.1 |
| Marrón / Brown 50L | 1.00 | 1.5 | 41 | 6.5 | 3.5 | 1.20 | 6.5 | 6.5 | 1.2 |
| | | 2.0 | 48 | 6.5 | 4.0 | 1.80 | 6.5 | 6.5 | 1.2 |
| Azul / Blue 60L | 1.10 | 1.5 | 49 | 7.0 | 4.0 | 1.20 | 6.5 | 7.0 | 1.2 |
| | | 2.0 | 57 | 8.0 | 4.0 | 1.80 | 6.5 | 7.5 | 1.2 |
| Negro / Black 70L | 1.20 | 1.5 | 60 | 7.5 | 4.0 | 1.20 | 6.5 | 7.0 | 1.3 |
| | | 2.0 | 69 | 8.0 | 4.5 | 1.80 | 6.5 | 8.0 | 1.3 |
| Verde / Green 80L | 1.30 | 1.5 | 70 | 8.0 | 4.0 | 1.20 | 6.5 | 8.5 | 1.4 |
| | | 2.0 | 81 | 8.5 | 4.5 | 1.80 | 6.5 | 8.5 | 1.4 |
| Rojo / Red 100L | 1.40 | 1.5 | 83 | 8.0 | 4.5 | 1.20 | 6.5 | 8.5 | NR |
| | | 2.0 | 97 | 9.5 | 4.5 | 1.80 | 6.5 | 8.5 | NR |
| Amarillo / Yellow 120L | 1.65 | 1.5 | 109 | 8.5 | 5.0 | 1.65 | 6.5 | 8.5 | NR |
| | | 2.0 | 127 | 9.5 | 5.5 | 1.80 | 8.0 | 9.0 | NR |
| Violeta / Violet 160L | 1.90 | 1.5 | 140 | 8.5 | 5.0 | NR | 7.0 | 8.5 | NR |
| | | 2.0 | 164 | 9.0 | 6.0 | NR | 8.0 | 9.0 | NR |

ISO 7749 – ISO 15886 / ISO 7749 – ISO 15886 Standard.

VYR-3100 Mini-spinner



VYR-3100 MINI-SPINNER · Full circle AG

GENERAL PROPERTIES:

- Riser-mounted rotating sprinkler for gardening, agriculture, floriculture and greenhouses.
- 1/2" male connection.
- Made of chrome-plated Zamac and copper.
- Steel and rubber rotating joints.
- Rotating diffuser and deflector.
- This sprinkler is strong and durable enough to work for many years in urban gardens in tough conditions, caused by vandalism and impact from maintenance equipment.

TECHNICAL SPECIFICATIONS:

- Range distance: 0.4 - 8.5 m (1.3 - 28 ft.).
- Flow: 90 - 318 L/H / 24 - 84 GPH. Auto-compensated OPTIONAL!
- Working pressure: 17 - 44 PSI (1.2 - 4 BAR).
- Nozzle: Colour-coded from -8° to +25°. ADJUSTABLE!
- Maximum height of waterjet: 2.7 m (9 ft.).

APPLICATIONS:

- This low-flow rotator sprinkler is suitable for irrigation in areas with low pressure and flow. Its long range "wind-fighter" design means that the spacing between sprinklers can be up to 8 m (28 ft.).

MEASUREMENTS:

- Height: 6,5 cm / 2,6 in.
- Width: 8,0 cm / 3,1 in.
- Weight: 24 g / 0,05 Lbs
- Units per box: 200

OPTIONS:

- Threads in BSP or NPT under demand.
- Self-compensating flow control valves of 29 - 73 PSI (2-5 BAR).
- Assembled on a "AGRO-STAND kit" on a 1,3 m galvanized stake with microtube and connectors.

MODELS:

- **Ref. 003100:** Full-circle Micro-Rotaplus 1/2" M

For proper operation and uniformity coefficient of the irrigation using self-compensating membranes on "Agro-Stand" base is recommended, or fix pressure regulators.

TABLES & PARTS

Technical guidance table VYR-3100 Mini-Spinner / 25°

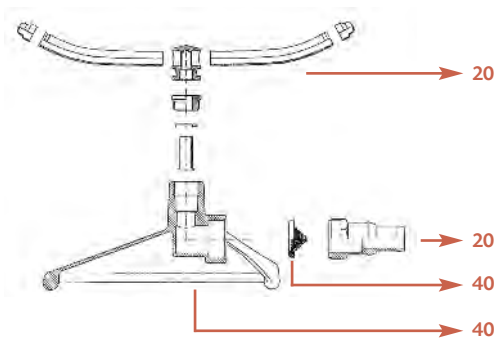
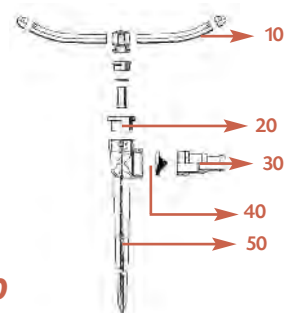
| NOZZLE | Spacing (m) / Precipit. rate (mm/h) Spacing (ft) / Precipit. rate (in/h) | | | | | |
|--------|---|------------|---------------|--------------|--------------|--------------|
| | BAR PSI | L/H GPH | R- m R- ft | 6x6 20x20 | 7x7 23x23 | 8x8 26x26 |
| @25° | 2 | 90 | 7 | 1,9 | 1,4 | 1,1 |
| | 29 | 24 | 23 | 0,07 | 0,06 | 0,04 |
| | 2,5 | 114 | 8 | 2,5 | 1,8 | 1,4 |
| | 36 | 30 | 26,2 | 0,11 | 0,07 | 0,06 |
| | 3 | 116 | 8 | 2,7 | 2 | 1,5 |
| @25° | 44 | 31 | 26,2 | 0,11 | 0,08 | 0,06 |
| | 2 | 130 | 7,5 | 2,4 | 1,7 | 1,2 |
| | 29 | 34 | 24,6 | 0,09 | 0,07 | 0,05 |
| | 2,5 | 144 | 8 | 2,7 | 2 | 1,5 |
| | 36 | 38 | 26,2 | 0,11 | 0,08 | 0,06 |
| @25° | 3 | 157 | 8 | 3 | 2,3 | 1,8 |
| | 44 | 41 | 26,2 | 0,12 | 0,09 | 0,07 |
| | 2 | 126 | 8 | 2,8 | 2 | 1,6 |
| | 29 | 33 | 26,2 | 0,11 | 0,08 | 0,06 |
| | 2,5 | 156 | 8,5 | 3,6 | 2,7 | 2 |
| @25° | 36 | 41 | 26,2 | 0,14 | 0,11 | 0,08 |
| | 3 | 174 | 9 | 3,7 | 2,7 | 2,1 |
| | 44 | 46 | 28 | 0,15 | 0,11 | 0,08 |
| | 2 | 193 | 8 | 3,6 | 2,8 | 2,3 |
| | 29 | 51 | 26,2 | 0,14 | 0,11 | 0,9 |
| @25° | 2,5 | 210 | 8 | 4 | 3,2 | 2,7 |
| | 36 | 55 | 26,2 | 0,16 | 0,13 | 0,11 |
| | 3 | 230 | 8,5 | 4,4 | 3,6 | 3,1 |
| | 44 | 61 | 28 | 0,17 | 0,14 | 0,12 |
| | 2 | 233 | 8 | 4,1 | 2,9 | 2,1 |
| @25° | 29 | 62 | 26,2 | 0,16 | 0,11 | 0,8 |
| | 2,5 | 260 | 8,5 | 4,5 | 3,3 | 2,5 |
| | 36 | 69 | 28 | 0,18 | 0,13 | 0,10 |
| | 3 | 293 | 8,5 | 4,9 | 3,7 | 2,9 |
| | 44 | 77 | 28 | 0,19 | 0,15 | 0,11 |
| @25° | 2 | 234 | 8,5 | 6,6 | 4,8 | 3,7 |
| | 29 | 62 | 28 | 0,26 | 0,19 | 0,15 |
| | 2,5 | 276 | 9 | 7,5 | 5,5 | 4,2 |
| | 36 | 73 | 29,5 | 0,30 | 0,22 | 0,17 |
| | 3 | 318 | 9 | 8,5 | 6,3 | 4,8 |
| @25° | 44 | 84 | 29,5 | 0,33 | 0,25 | 0,19 |

Standard R: Raage distance

CU < 85% CU 85-88% CU 88-92% CU > 92%



VYR-868 & VYR-968



VYR-868 & VYR-968 · Rotative Overhead Sprinklers

GENERAL PROPERTIES:

- Three-arm rotating sprinkler for gardening, agriculture, floriculture and greenhouses.
- Connection of the 3/8" male rotating head, and connection of the spike with a 15 and 20 mm hose coupling.
- Sprinkler made of chrome-plated brass, and there are three models for the spike: plastic, aluminium and brass.
- Rubber rotating joints.
- Three rotating perforated arms and spray sprinklers.
- Anti-sand filter.
- This sprinkler is strong and durable enough to work for many years in urban gardens in tough conditions, caused by vandalism and impact from maintenance equipment.

TECHNICAL SPECIFICATIONS:

- Reach: 4 - 7 m
- Flow: 960 - 1.320 L/H / 250 - 350 GPH.
- Working pressure: 0.5 - 3.5 BAR / 7 - 50 PSI.
- Area: Circular.
- Nozzles: A multi-jet nozzle.
- Maximum stream height: 2 m
- Rotation time: Irregular
- Uniformity coefficient higher than 90% in areas of 5x5R, 6x6T, 6x7T.

APPLICATIONS:

- Public and private gardens.
- Horticultural plantation.

MEASUREMENTS:

- Width: 12 cm
- Sprinkler height: 13 cm
- Weight: 220 g
- Units per box: 10



OPTIONS:

- Adapter with reduction for 1/2" male.
- Assembled as a "complete support kit" on an aluminium base.
- Assembled as a "complete support kit" on a 1.3 or 0.7 m galvanized stake with microtube and connectors.
- Assembled as a "complete support kit" on a 1.3 or 0.7 m galvanized stake with microtube and connectors.

MODELS:

- Ref. 086800:** Sprinkler + triangular base.
- Ref. 486804:** 3 arm sprinkler.
- Ref. 096800:** Sprinkler + brass spike.
- Ref. 096810:** Sprinkler + aluminium spike.
- Ref. 096820:** Sprinkler + plastic spike.
- Ref. 486820:** Reduced nut adapter 3/8" to 1/2"
- Ref. 486802:** Rubber gasquet & conical filter.

| NOZZLE | Spacing (m) / Precipit. rate (mm/h) Spacing (ft) / Precipit. rate (in/h) | | | | | | | |
|--------|---|------------|--------------|----------------|-----------------|----------------|-----------------|-----------------|
| | BAR PSI | L/H GPH | R- m Ø ft | 4x4 T 13x13 | 4x4 R 13x13T | 6x6 T 20X20 | 6x6 R 20X20T | 8x8 T 26X26T |
| | 1 | 960 | 7 | 52 | 60 | 23 | 27 | 13 |
| | 15 | 253 | 23 | 2,05 | 2,35 | 0,90 | 1,05 | 0,50 |
| | 2 | 1320 | 7 | 71 | 82 | 32 | 37 | 18 |
| | 29 | 348 | 23 | 2,80 | 3,20 | 1,25 | 1,45 | 0,70 |

R: Range Distance

VYR-59 Mercedes

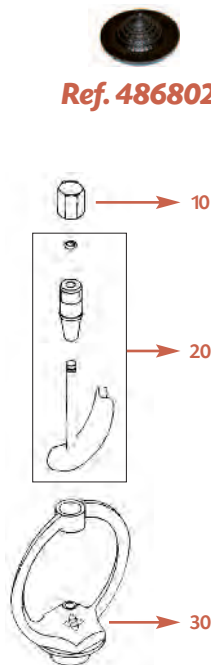
Ref. 005900



Ref. 005910



Ref. 486802



VYR-59 · Rotative Overhead Sprinklers

GENERAL PROPERTIES:

- Riser-mounted rotating sprinkler for gardening, agriculture, floriculture and greenhouses.
- 1/2" male connection.
- Made of chrome-plated Zamac and brass.
- Rubber rotating joints.
- Rotating diffuser and deflector.
- This sprinkler is strong and durable enough to work for many years in urban gardens in tough conditions, caused by vandalism and impact from maintenance equipment.

TECHNICAL SPECIFICATIONS:

- Reach: 4 - 7 m / 13 - 23 ft.
- Flow: 900 - 1200 L/H. / 240 - 320 GPH.
- Working pressure: 0,5 - 3,5 BAR / 7 - 50 PSI.
- Area: Circular.
- Nozzles: One nozzle.
- Trajectory angles: 38°
- Maximum stream height: 2.5 m / 8 ft.
- Rotation time: Irregular.
- Uniformity coefficient higher than 90% in areas of 10x10R, 12x12T, 12x13T (meters).

APPLICATIONS:

- Public and private gardens.
- Horticultural plantations, floriculture and fruit trees.
- Also for other industrial uses (cleaning out troughs and tankers) or with livestock (irrigation for pig farms to add moisture and lower the temperature).

MEASUREMENTS:

- Width: 10 cm
- Sprinkler height: 9 cm
- Weight: 144 g
- Units per box: 150

OPTIONS:

- Assembled as a "complete support kit" on a brass, aluminium or plastic spike.
- Assembled as a "complete support kit" on an aluminium base.
- Assembled as a "complete support kit" on a 1.3 or 0.7 m galvanized stake with microtube and connectors.

MODELS:

- Ref. 005900: Standard cromed sprinkler VYR-59.
- Ref. 005910: VYR-59 cromed + rounded base.
- Ref. 486802: Rubber gasquet & conical filter.

| NOZZLE | Spacing (m) / Precipit. rate (mm/h) Spacing (ft) / Precipit. rate (in/h) | | | | | | | | |
|--------|---|------------|--------------|----------------|-----------------|----------------|-----------------|-----------------|--|
| | BAR PSI | L/H GPH | R m R- ft | 4x4 T 13x13 | 4x4 R 13x13T | 6x6 T 20X20 | 6x6 R 20X20T | 8x8 T 26X26T | |
| 1 | 900 | 238 | 7 | 65 | 56 | 29 | 25 | 16 | |
| 2 | 1200 | 317 | 23 | 2,50 | 2,20 | 1,15 | 1,00 | 0,65 | |
| | | | | 86 | 75 | 38 | 33 | 22 | |
| | | | | 3,40 | 2,95 | 1,50 | 1,30 | 0,90 | |

R: Range Distance

VYR-3250



VYR-3250 · Full circle AG

GENERAL PROPERTIES:

- Riser-mounted 1/2" male connection.
- Made of Delrin plastic.
- High-resistance rotating joints.
- Colour-coded bayonet nozzles.
- Arc: 360° and 180°

TECHNICAL SPECIFICATIONS:

- Range distance: 8 - 12 m / 26-40 ft.
- Flow: 350 - 900 L/H/92-240 GPH. Self-compensated is OPTIONAL!
- Working pressure: 1,2 - 3 BAR / 17-44 PSI.
- Nozzle: Colour-coded at 25°, and low angle for 10° and 14°
- Maximum height of waterjet: 2,7 m / 9 ft.

APPLICATIONS:

- This low-flow rotative sprinkler is suitable for irrigation in areas with low pressure and flow. Its long range "wind fighter" design means that the spacing between sprinklers can be up to 12 m.

MEASUREMENTS:

- Height: 11,5 cm / 4,5 in.
- Width: 5 cm / 2 in.
- Weight: 55 g / 0,12 Lbs.
- Units per box: 100

OPTIONS:

- Threads in BSP or NPT under demand.
- 180° degree deflector.
- Self-compensating flow control valves of 2-5 BAR.
- Assembled on a "AGRO-STAND kit" on a 1.3 m galvanized stake with microtube and connectors.

MODELS:

- Ref. 003250: Full-circle Rotator 1/2" M - 25°
- Ref. 003264: Full-circle Rotator 1/2" M - 14°
- Ref. 003260: Full-circle Rotator 1/2" M - 10°
- Ref. 103271: Deflector 180°
- Ref. 103251: Kit sprinkler 25° + deflector 180°

- Ref. 103250: Rotator 25° + Agro-Stand.
- Ref. 103254: Rotator 14° + Agro-Stand.
- Ref. 103255: Rotator 10° + Agro-Stand.



TABLES & PARTS

Technical guidance table VYR-3250 (25°)

| NOZZLE | Spacing (m) / Precipit. rate (mm/h) Spacing (ft) / Precipit. rate (in/h) | | | | | | | | |
|-----------------|---|------------|---------------|--------------|---------------|---------------|----------------|----------------|----------------|
| | BAR PSI | L/H GPH | R- m R- ft | 9x9 30x30 | 9x10 30x33 | 9x12 30x39 | 10x10 33x33 | 10x12 33x39 | 12x12 39x39 |
| | 2,5 | 360 | 8,5 | 4,4 | 4 | 3,3 | 3,6 | 3 | 2,5 |
| | 36 | 95 | 28 | 0,17 | 0,16 | 0,13 | 0,14 | 0,12 | 0,10 |
| | 3 | 395 | 9 | 4,9 | 4,4 | 3,7 | 4 | 3,3 | 2,7 |
| | 44 | 104 | 29,5 | 0,19 | 0,17 | 0,15 | 0,16 | 0,13 | 0,11 |
| | 3,5 | 425 | 9 | 5,2 | 4,7 | 3,9 | 4,3 | 3,5 | 3 |
| | 51 | 112 | 29,5 | 0,20 | 0,19 | 0,15 | 0,17 | 0,14 | 0,12 |
| SELF-COMPENSAT. | 2,5 - 5 | 360 | 8,5 | 4,6 | 4 | 3,3 | 3,6 | 3 | 2,6 |
| | 36-73 | 95 | 28 | 0,18 | 0,16 | 0,13 | 0,14 | 0,12 | 0,10 |
| | 2,5 | 450 | 9,5 | 5,6 | 5 | 4,2 | 4,5 | 3,8 | 3,1 |
| | 36 | 119 | 31,2 | 0,22 | 0,20 | 0,17 | 0,18 | 0,15 | 0,12 |
| | 3 | 495 | 9,5 | 6,1 | 5,5 | 4,6 | 5 | 4,1 | 3,4 |
| | 44 | 131 | 31,2 | 0,24 | 0,22 | 0,18 | 0,20 | 0,16 | 0,13 |
| | 3,5 | 530 | 10 | 6,5 | 5,9 | 4,9 | 5,3 | 4,4 | 3,7 |
| | 51 | 140 | 32,8 | 0,26 | 0,23 | 0,19 | 0,21 | 0,17 | 0,15 |
| SELF-COMPENSAT. | 2,5 - 5 | 450 | 9,5 | 5,7 | 5,1 | 4,2 | 4,6 | 3,8 | 3,1 |
| | 36-73 | 119 | 31,2 | 0,22 | 0,20 | 0,17 | 0,18 | 0,15 | 0,12 |
| | 2,5 | 550 | 10,5 | 6,8 | 6,1 | 5,1 | 5,5 | 4,6 | 3,8 |
| | 36 | 145 | 34,4 | 0,27 | 0,24 | 0,20 | 0,22 | 0,18 | 0,15 |
| | 3 | 600 | 11 | 7,4 | 6,7 | 5,6 | 6 | 5 | 4,2 |
| | 44 | 158 | 36,1 | 0,29 | 0,26 | 0,22 | 0,24 | 0,20 | 0,17 |
| | 3,5 | 650 | 11 | 8 | 7,2 | 6 | 6,5 | 5,4 | 4,5 |
| | 51 | 172 | 36,1 | 0,31 | 0,28 | 0,24 | 0,26 | 0,21 | 0,18 |
| SELF-COMPENSAT. | 2,5 - 5 | 550 | 10,5 | 6,9 | 6 | 5,2 | 5,6 | 4,6 | 3,8 |
| | 36-73 | 145 | 34,4 | 0,27 | 0,24 | 0,20 | 0,22 | 0,18 | 0,15 |
| | 2,5 | 670 | 11,5 | 7,9 | 7,1 | 5,9 | 6,4 | 5,3 | 4,4 |
| | 36 | 177 | 37,7 | 0,31 | 0,28 | 0,23 | 0,25 | 0,21 | 0,17 |
| | 3 | 710 | 11,5 | 8,7 | 7,8 | 6,5 | 7 | 5,9 | 4,9 |
| | 44 | 187 | 37,7 | 0,34 | 0,31 | 0,26 | 0,28 | 0,23 | 0,19 |
| | 3,5 | 770 | 12 | 9,4 | 8,5 | 7,1 | 7,6 | 6,4 | 5,3 |
| | 51 | 203 | 39,4 | 0,37 | 0,33 | 0,28 | 0,30 | 0,25 | 0,21 |
| SELF-COMPENSAT. | 2,5 - 5 | 670 | 11,5 | 8,4 | 7,1 | 6 | 6,5 | 5,4 | 4,5 |
| | 36-73 | 177 | 37,7 | 0,33 | 0,28 | 0,24 | 0,26 | 0,21 | 0,18 |
| | 2,5 | 320 | 8 | | | | | | |
| | 36 | 84 | 26,2 | | | | | | |
| | 3 | 350 | 8 | | | | | | |
| | 44 | 92 | 26,2 | | | | | | |
| | 3,5 | 380 | 8 | | | | | | |
| | 51 | 100 | 26,2 | | | | | | |
| SELF-COMPENSAT. | 2,5 - 5 | 320 | 8 | | | | | | |
| | 36-73 | 84 | 26,2 | | | | | | |

BROWN NOZZLE:
Only for sides 180°

CU < 85% CU 85-88% CU 88-92% CU > 92%

R: Range Distance

- Sprinklers will be supplied with standard nozzles unless otherwise specified.
- These results has been obtained at indoor laboratory with 0 m/seg win velocity. Outdoor results may change range distances.



Self-compensate valve



Ref. 003260



Ref. 003264

VYR-4000 LA Rotec 8° & 12°



VYR-4000 LA ROTEC · Full circle AG and Low Angle

GENERAL PROPERTIES:

- Rotational 1/2" Silicon Brake Sprinkler with male connection.
- Made of Delrin plastic.
- High strength rotating joints.
- Nozzles in codes of different colors.
- Irrigation bow: 360°
- Brake technology with silicone.

TECHNICAL SPECIFICATIONS:

- Range: 7 - 9 m / 23 - 30 ft.
- Flow: 216 - 678 L/H / 57 - 179 GPH . Optional auto compensation!
- Working pressure: 1,2 - 3 BAR / 17 - 44 PSI.
- Nozzles: Bayonet with codes of different colors.
- Nozzle angle: 8° or 12°.
- Maximum jet height: 2,7 m / 9 ft.

APLICACIONES:

- This low flow sprinkler is ideal for irrigation in areas with low pressure and flow. Its long-range design "wind cutter" makes the spacing between sprinklers can be up to 8 m.

MEASUREMENTS:

- Height: 9,5 cm / 3,7 in.
- Width: 6,5 cm / 2,6 in.
- Weight: 75 g / 0,16 Lbs.
- Units per box: 50

OPTIONS:

- 2.5 BAR / 36 PSI self-compensating flow control valves.
- Mounted in "Agro-Stand" on 1.3 m galvanized stake with microtube and connectors.

MODELS:

Ref. 040000: Body ROTEC black motor (slow).

Ref. 040001: Body ROTEC grey motor (fast).

Ref. 440009: Deflector 180°

Ref. 440020LA: Nozzle 1/2" LIME of 2,0 mm

Ref. 440024LA: Nozzle 1/2" ROSE of 2,4 mm

Ref. 440028LA: Nozzle 1/2" YELLOW of 2,8 mm

Ref. 440032LA: Nozzle 1/2" LAVANDER of 3,2 mm

Ref. 440108LA: Plate GREY of 8°

Ref. 440112LA: Plate YELLOW of 12°

Ref. 440208LA: Plate BLUE de 8° (Rain Courtaïne)

Ref. 440212LA: Plate ORANGE of 12° (Rain Courtaïne)

Para un correcto funcionamiento y un riego uniforme se recomienda el uso de membranas auto-compensantes en base porta-aspersor "Agro-Stand", o reguladores de presión en los diferentes ramales de aspersión.



TABLES & PARTS

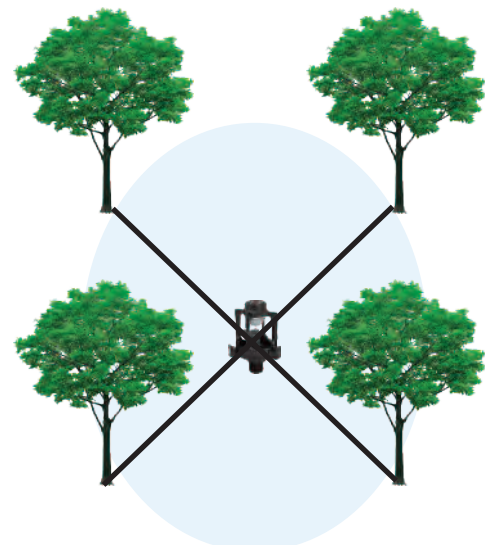
Technical guidance table VYR-4000 LA 12°

| NOZZLE | Spacing (m) / Precipit. rate (mm/h) Spacing (ft) / Precipit. rate (in/h) | | | | | |
|-------------------|---|---------|-------|---------|-------|---------|
| | BAR | 4x4 T | 4x4R | 6x6 T | 6x6 R | 8x8 T |
| | PSI | 32x39 T | 39x39 | 39x39 T | 39x49 | 39x49 T |
| 2,0 mm 5/64" | 2 | 15,6 | 13,5 | 6,9 | 6 | 3,9 |
| | 29 | 0,61 | 0,53 | 0,27 | 0,24 | 0,15 |
| YELLOW 12° | 2,5 | 17,3 | 15 | 7,7 | 6,7 | 4,3 |
| | 36 | 0,68 | 0,59 | 0,30 | 0,26 | 0,17 |
| 2,4 mm 3/32" | 3 | 19,1 | 16,5 | 8,4 | 7,3 | 4,7 |
| | 44 | 0,75 | 0,65 | 0,33 | 0,29 | 0,19 |
| YELLOW 12° | 2 | 22,5 | 19,5 | 10 | 8,7 | 5,7 |
| | 29 | 0,89 | 0,77 | 0,39 | 0,34 | 0,22 |
| 3,2 mm 17/128" | 2,5 | 25,1 | 21,8 | 11,2 | 9,7 | 6,3 |
| | 36 | 0,99 | 0,86 | 0,44 | 0,38 | 0,25 |
| YELLOW 12° | 3 | 27,7 | 24 | 12,4 | 10,7 | 6,9 |
| | 44 | 1,10 | 0,94 | 0,49 | 0,42 | 0,27 |
| 2,8 mm 15/128" | 2 | 30,7 | 26,6 | 13,6 | 11,8 | 7,7 |
| | 29 | 1,20 | 1,05 | 0,54 | 0,46 | 0,30 |
| YELLOW 12° | 2,5 | 34,2 | 29,6 | 15,2 | 13,2 | 8,6 |
| | 36 | 1,35 | 1,17 | 0,60 | 0,52 | 0,34 |
| 3,2 mm 17/128" | 3 | 37,6 | 32,6 | 16,7 | 14,5 | 9,5 |
| | 44 | 1,50 | 1,28 | 0,66 | 0,57 | 0,37 |
| YELLOW 12° | 2 | 39,8 | 34,5 | 17,7 | 15,3 | 9,9 |
| | 29 | 1,60 | 1,36 | 0,70 | 0,60 | 0,39 |
| 3,2 mm 17/128" | 2,5 | 44,2 | 38,3 | 19,6 | 17 | 11 |
| | 36 | 1,75 | 1,51 | 0,77 | 0,67 | 0,43 |
| YELLOW 12° | 3 | 49 | 42,4 | 21,7 | 18,8 | 12,2 |
| | 44 | 1,95 | 1,67 | 0,85 | 0,74 | 0,48 |



Technical guidance table VYR-4000 LA 8°

| NOZZLE | Spacing (m) / Precipit. rate (mm/h) Spacing (ft) / Precipit. rate (in/h) | | | | | |
|-------------------|---|---------|-------|---------|-------|---------|
| | BAR | 4x4 T | 4x4R | 6x6 T | 6x6 R | 8x8 T |
| | PSI | 32x39 T | 39x39 | 39x39 T | 39x49 | 39x49 T |
| 2,0 mm 5/64" | 2 | 15,6 | 13,5 | 6,9 | 6 | 3,9 |
| | 29 | 0,61 | 0,53 | 0,27 | 0,24 | 0,15 |
| GREY 8° | 2,5 | 17,3 | 15 | 7,7 | 6,7 | 4,3 |
| | 36 | 0,68 | 0,59 | 0,30 | 0,26 | 0,17 |
| GREY 8° | 3 | 19,1 | 16,5 | 8,4 | 7,3 | 4,7 |
| | 44 | 0,75 | 0,65 | 0,33 | 0,29 | 0,19 |
| 2,4 mm 3/32" | 2 | 22,5 | 19,5 | 10 | 8,7 | 5,7 |
| | 29 | 0,89 | 0,77 | 0,39 | 0,34 | 0,22 |
| GREY 8° | 2,5 | 25,1 | 21,8 | 11,2 | 9,7 | 6,3 |
| | 36 | 0,99 | 0,86 | 0,44 | 0,38 | 0,25 |
| GREY 8° | 3 | 27,7 | 24 | 12,4 | 10,7 | 6,9 |
| | 44 | 1,10 | 0,94 | 0,49 | 0,42 | 0,27 |
| 2,8 mm 15/128" | 2 | 30,7 | 26,6 | 13,6 | 11,8 | 7,7 |
| | 29 | 1,20 | 1,05 | 0,54 | 0,46 | 0,30 |
| GREY 8° | 2,5 | 34,2 | 29,6 | 15,2 | 13,2 | 8,6 |
| | 36 | 1,35 | 1,17 | 0,60 | 0,52 | 0,34 |
| GREY 8° | 3 | 37,6 | 32,6 | 16,7 | 14,5 | 9,5 |
| | 44 | 1,50 | 1,28 | 0,66 | 0,57 | 0,37 |
| 3,2 mm 17/128" | 2 | 39,8 | 34,5 | 17,7 | 15,3 | 9,9 |
| | 29 | 1,60 | 1,36 | 0,70 | 0,60 | 0,39 |
| GREY 8° | 2,5 | 44,2 | 38,3 | 19,6 | 17 | 11 |
| | 36 | 1,75 | 1,51 | 0,77 | 0,67 | 0,43 |
| GREY 8° | 3 | 49 | 42,4 | 21,7 | 18,8 | 12,2 |
| | 44 | 1,95 | 1,67 | 0,85 | 0,74 | 0,48 |



The correct orientation of the 4 columns of the body prevents water damage on the trunk of the tree.

Performance nozzle table

| MOTOR | 1,8 - 2,5 BAR (GREY) 2,5 - 3,5 BAR (BLACK) | | | | | | | | | | | | | | | |
|--------|---|------|-----|------|------------------|------|-----|------|--------------------|------|-----|------|--------------------|------|-----|------|
| | 12° | | 8° | | 12° | | 8° | | 12° | | 8° | | 12° | | 8° | |
| PLATE | | | | | | | | | | | | | | | | |
| NOZZLE | 2,00 mm 5/64" | | | | 2,40 mm 3/32" | | | | 2,80 mm 15/128" | | | | 3,20 mm 17/128" | | | |
| BAR | L/H | R-m | L/H | R-m | L/H | R-m | L/H | R-m | L/H | R-m | L/H | R-m | L/H | R-m | L/H | R-m |
| PSI | GPH | R-ft | GPH | R-ft | GPH | R-ft | GPH | R-ft | GPH | R-ft | GPH | R-ft | GPH | R-ft | GPH | R-ft |
| 2 | 216 | 7 | 216 | 7 | 312 | 7 | 312 | 7 | 426 | 8 | 426 | 8 | 552 | 8 | 552 | 8 |
| 29 | 57 | 23 | 57 | 23 | 82 | 23 | 82 | 23 | 112 | 26 | 112 | 26 | 146 | 26 | 146 | 26 |
| 2,5 | 240 | 7 | 240 | 7 | 348 | 7 | 348 | 7 | 474 | 8 | 474 | 8 | 612 | 8 | 612 | 8 |
| 36 | 63 | 23 | 63 | 23 | 92 | 23 | 92 | 23 | 125 | 26 | 125 | 26 | 162 | 26 | 162 | 26 |
| 3 | 264 | 8 | 264 | 7 | 384 | 8 | 384 | 8 | 522 | 9 | 522 | 8 | 678 | 9 | 678 | 9 |
| 44 | 70 | 26 | 70 | 23 | 101 | 26 | 101 | 26 | 138 | 30 | 138 | 26 | 179 | 30 | 179 | 30 |

R: Range Distance

VYR-16



VYR-16 · Full circle AG

GENERAL PROPERTIES:

- Riser-mounted low flow sprinkler.
- 1/2" male connection.
- Made of plastic and stainless steel.
- High-resistance rotating joints.
- Adjustable spring tension system to vary the rotation speed depending on the pressure.
- Variable multifunction arm so the same sprinkler can be used as a medium angle model (26° main and 8° secondary), or as a low angle model (8° main and 26° secondary). (PATENT PENDING).

TECHNICAL SPECIFICATIONS:

- Range distance: 8 - 12 m / 26 - 40 ft.
- Flow: 168 - 740 L/H / 44 - 195 GPH
- Working pressure: 1,5 - 3,5 BAR / 22 - 50 PSI.
- Area: Full circle.
- Nozzles: Two nozzles, one long range (2 - 3.6 mm) and one short range (2.5 - 3 mm) (2.4 x 2.5 mm standard).
- Colour-coded "click" bayonet nozzles.
- Trajectory angles: 26° and 8°.
- Maximum height of waterjet: 2.8 m and 1 m (low angle).
- Rotation time: Depending on the pressure and the nozzles, the rotation will be constant and continuous (adjustable).
- Uniformity coefficient higher than 90% in areas of 8x8R, 8x10T (m.)

APPLICATIONS:

- Low flow plantations such as cotton. Ideal, given its low angle, for the irrigation of banana trees and other similar fruit trees.

MEASUREMENTS:

- Height: 11 cm / 4,3 in.
- Width: 13 cm / 5,1 in.
- Weight: 52 g / 0,11 Lbs
- Units per box: 300

OPTIONS:

- Threads in BSP or NPT under demand.
- Standard or low angle assembly, as requested in the order.
- Self-compensating flow control valves of 2 - 5 BAR (29-73 PSI).
- Assembled as a "Agro-Stand" on a 1.3 m galvanized stake with microtube and connectors.

MODELS:

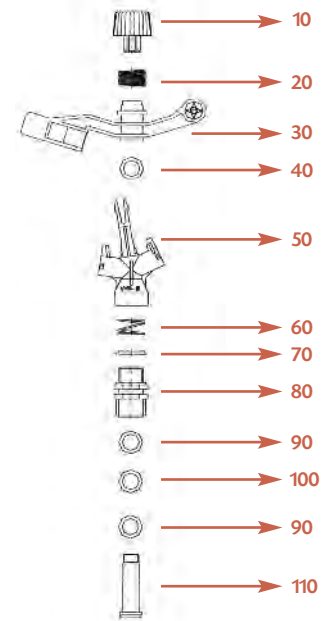
- Ref. 001600:** Standard angle.
- Ref. 001610:** Low angle.
- Ref. 101600:** Standard angle + Agro-Stand.
- Ref. 101610:** Low angle + Agro-Stand.

TABLES & PARTS

Technical guidance table VYR-16

| NOZZLE | BAR PSI | Spacing (m) / Precipit. rate (mm/h) Spacing (ft) / Precipit. rate (in/h) | | | | | |
|---------------------------------|------------|---|------------------|---------------|--------------------|--------------------|----------------|
| | | 9x9 30x30 | 9x9 T 30x30 T | 9x10 30x33 | 10x10 T 33x33 T | 10x12 T 33x39 T | 12x12 39x39 |
| 2,4 x 2,6 mm 3/32" x 3/32" | 2 | 8 | 7,4 | 7,2 | 6 | 4,5 | 4,5 |
| | 29 | 0,31 | 0,29 | 0,28 | 0,24 | 0,18 | 0,18 |
| | 2,5 | 9 | 8,3 | 8,1 | 6,7 | 5 | 5,1 |
| | 36 | 0,35 | 0,33 | 0,32 | 0,26 | 0,20 | 0,20 |
| 3 x 2,4 mm 1/8" x 3/32" | 3 | 9,9 | 9,1 | 8,9 | 7,4 | 5,5 | 5,5 |
| | 44 | 0,39 | 0,36 | 0,35 | 0,29 | 0,22 | 0,22 |
| | 2 | 10,2 | 9,4 | 9,2 | 7,6 | 5,7 | 5,8 |
| | 29 | 0,40 | 0,37 | 0,36 | 0,30 | 0,22 | 0,23 |
| 3,2 x 2,6 mm 17/128" x 7/64" | 2,5 | 11,4 | 10,6 | 10,3 | 8,6 | 6,3 | 6,4 |
| | 36 | 0,45 | 0,42 | 0,4 | 0,34 | 0,25 | 0,25 |
| | 3 | 12,5 | 11,6 | 11,3 | 9,4 | 6,9 | 7 |
| | 44 | 0,49 | 0,46 | 0,44 | 0,37 | 0,27 | 0,28 |
| 3,2 x 2,6 mm 17/128" x 7/64" | 2 | 10,7 | 9,9 | 9,7 | 8 | 5,9 | 6 |
| | 29 | 0,42 | 0,39 | 0,38 | 0,31 | 0,23 | 0,24 |
| | 2,5 | 12 | 11,1 | 10,8 | 9 | 6,6 | 6,8 |
| | 36 | 0,47 | 0,44 | 0,43 | 0,35 | 0,26 | 0,27 |
| 3,2 x 2,6 mm 17/128" x 7/64" | 3 | 13,1 | 12,1 | 11,8 | 9,8 | 7,3 | 7,4 |
| | 44 | 0,52 | 0,48 | 0,46 | 0,39 | 0,29 | 0,29 |

T: Triang. CU < 85% CU 85-88% CU 88-92% CU > 92%



Performance nozzle table VYR-16

| NOZZLE | 1,8 mm 1/16" | | 2 mm 5/64" | | 2,4 mm 3/32" | | 2,6 mm 7/64" | | 2,8 mm 15/128" | | 3 mm 1/8" | | 3,2 mm 17/128" | | 3,6 mm 9/64" | | |
|--------|-----------------|------------|---------------|------------|-----------------|------------|-----------------|------------|-------------------|------------|--------------|------------|-------------------|------------|-----------------|------------|-------------|
| | BAR PSI | L/H GPH | Ø m Ø ft | L/H GPH | Ø m Ø ft | L/H GPH | Ø m Ø ft | L/H GPH | Ø m Ø ft | L/H GPH | Ø m Ø ft | L/H GPH | Ø m Ø ft | L/H GPH | Ø m Ø ft | L/H GPH | Ø m Ø ft |
| 1,5 | 22 | 95 | 18 | 168 | 21 | 285 | 21 | 297 | 21 | 320 | 21 | 370 | 21,5 | 425 | 22 | 480 | 22,2 |
| | 29 | 25 | 59 | 44 | 69 | 75 | 69 | 75 | 69 | 85 | 69 | 98 | 71 | 112 | 72 | 127 | 73 |
| 2 | 29 | 100 | 18,5 | 195 | 21,5 | 345 | 21,5 | 356 | 21,5 | 380 | 21,5 | 430 | 22 | 490 | 22,5 | 558 | 22,6 |
| | 36 | 26 | 61 | 52 | 71 | 91 | 71 | 94 | 71 | 100 | 71 | 114 | 72 | 129 | 74 | 147 | 74 |
| 2,5 | 36 | 105 | 19 | 219 | 22 | 380 | 22 | 390 | 21,5 | 435 | 22 | 485 | 22 | 550 | 22,5 | 620 | 22,9 |
| | 44 | 28 | 62 | 58 | 72 | 100 | 72 | 103 | 71 | 115 | 72 | 128 | 72 | 145 | 74 | 164 | 75 |
| 3 | 44 | 115 | 19,5 | 237 | 22,5 | 395 | 22,5 | 407 | 22,5 | 475 | 22,5 | 525 | 22,5 | 600 | 23 | 680 | 23,5 |
| | 51 | 30 | 64 | 63 | 74 | 104 | 74 | 108 | 74 | 125 | 74 | 139 | 74 | 159 | 75 | 180 | 77 |
| 3,5 | 51 | 125 | 19,5 | 250 | 22,5 | 404 | 22,5 | 413 | 22,5 | 520 | 22,5 | 570 | 22,5 | 650 | 23 | 740 | 23,5 |
| | 51 | 33 | 64 | 66 | 74 | 107 | 74 | 109 | 74 | 137 | 74 | 151 | 74 | 172 | 75 | 195 | 75 |

Only as tail nozzle

Standard Ø: Diameter range

- Sprinklers will be supplied with standard nozzles unless otherwise specified.
- These results has benn obtained at indoor laboratory with 0 m/seg win velocity. Outdoor results may change range distances.



EASY LOW-ANGLE/STANDARD-ANGLE CONVERSION

- Pop-up the spring housing
- Invert the spoon direction
- Pop-down and adjust pressure

VYR-26



VYR-26 · Full circle AG

GENERAL PROPERTIES:

- Riser-mounted low flow sprinkler.
- 1/2" male connection.
- Made of plastic and stainless steel.
- High-resistance rotating joints.
- Quick-coupling bayonet nozzles, color-coded for easy identification.
- GERMINATION models.
- Three different positions for spring tension.

TECHNICAL SPECIFICATIONS:

- Range distance: 8 - 12 m / 26 - 40 ft.
- Flow: 157 - 1249 L/H / 42 - 330 GPH.
- Working pressure: 1,5 - 3,5 BAR / 22 - 50 PSI.
- Area: Full circle.
- Nozzles: Two nozzles, one long range and the other short range (2.5 x 2.5 mm standard).
- Trajectory angles: 26° and 18°
- Maximum height of waterjet: 3 m / 9,8 ft.
- Rotation time: Depending on the pressure and the nozzles, the rotation will be constant and continuous (adjustable).
- Coeficiente de Uniformidad superior al 90% en marcos de 10x10R y 12x10T (meters).

APPLICATIONS:

- Low flow irrigation such as cotton, vegetables, floriculture, strawberry plants, etc.

MEASUREMENTS:

- Height: 12 cm / 4,7 in.
- Width: 12 cm / 4,7 in.
- Weight: 51 g / 0,11 Lbs.
- Units per box: 300

OPTIONS:

- Threads in BSP or NPT under demand.
- Self-compensating flow control valves of 1.5 and 2 BAR
- Spring protection cap.
- Device with "part circle click" connection to the secondary nozzle to turn this model into a part circle sprinkler.
- Assembled as a "complete support kit" on a 1.3 m galvanized stake with microtube and connectors.

MODELS:

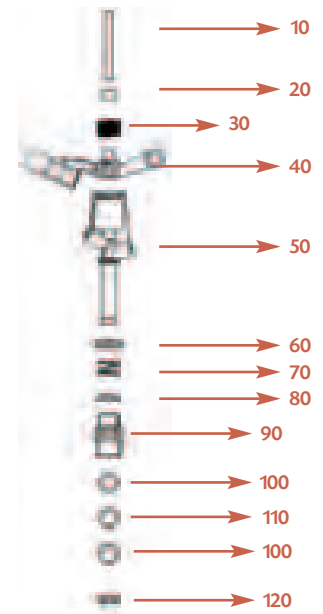
- Ref. 002600: Full circle.
- Ref. 002610: VYR-26 with Anti-frost cap.
- Ref. 002620: Full circle, GERMINATION.
- Ref. 002625: Full circle with Anti-frost cap, GERMINATION.
- Ref. 102660: Nozzle tool.

TABLES & PARTS

Technical guidance table VYR-26

| NOZZLE | Spacing (m) / Precipit. rate (mm/h) Spacing (ft) / Precipit. rate (in/h) | | | | | | | | |
|---------------------------------|---|----------------|--------------------|----------------|----------------|--------------------|----------------|----------------|--------------------|
| | BAR PSI | 10x10 33x33 | 10x10 T 33x33 T | 10x12 39x33 | 12x12 39x39 | 12x12 T 39x39 T | 12x14 46x39 | 14x14 46x46 | 14x14 T 46x46 T |
| 2,8 x 1,6 mm 7/64" x 1/16" | 2 | 6,8 | 6,8 | 5,7 | 4,7 | 4,7 | 4 | 3,4 | 3,4 |
| | 29 | 0,27 | 0,27 | 0,22 | 0,19 | 0,19 | 0,16 | 0,13 | 0,13 |
| | 3 | 7,4 | 7,4 | 6,1 | 5,1 | 5,1 | 4,3 | 3,7 | 3,7 |
| | 44 | 0,29 | 0,29 | 0,24 | 0,20 | 0,20 | 0,17 | 0,15 | 0,15 |
| 3 x 1,6 mm 1/8" x 1/16" | 4 | 8 | 8 | 6,6 | 5,5 | 5,5 | 4,7 | 4 | 4 |
| | 58 | 0,31 | 0,31 | 0,26 | 0,22 | 0,22 | 0,19 | 0,16 | 0,16 |
| | 2 | 7,5 | 7,5 | 6,2 | 5,2 | 5,2 | 4,4 | 3,8 | 3,8 |
| | 29 | 0,30 | 0,30 | 0,24 | 0,20 | 0,20 | 0,17 | 0,15 | 0,15 |
| 3,2 x 2,4 mm 17/128" x 3/32" | 3 | 8,3 | 8,3 | 6,6 | 5,6 | 5,6 | 4,8 | 4,1 | 4,1 |
| | 44 | 0,33 | 0,33 | 0,26 | 0,22 | 0,22 | 0,19 | 0,16 | 0,16 |
| | 4 | 8,8 | 8,8 | 7 | 6,1 | 6,1 | 5,2 | 4,4 | 4,4 |
| | 58 | 0,35 | 0,35 | 0,28 | 0,24 | 0,24 | 0,20 | 0,17 | 0,17 |
| 3,6 x 2,4 mm 9/64" x 3/32" | 2 | 8,1 | 8,1 | 6,7 | 5,6 | 5,6 | 4,8 | 4,1 | 4,1 |
| | 29 | 0,32 | 0,32 | 0,26 | 0,22 | 0,22 | 0,19 | 0,16 | 0,16 |
| | 4 | 8,8 | 8,8 | 7,3 | 6,1 | 6,1 | 5,2 | 4,4 | 4,4 |
| | 44 | 0,35 | 0,35 | 0,29 | 0,24 | 0,24 | 0,20 | 0,17 | 0,17 |
| 4 x 2,4 mm 5/32" x 3/32" | 4 | 9,6 | 9,6 | 8 | 6,5 | 6,5 | 5,6 | 4,8 | 4,8 |
| | 58 | 0,38 | 0,38 | 0,31 | 0,26 | 0,26 | 0,22 | 0,19 | 0,19 |
| | 2 | 10 | 10 | 8,6 | 7,2 | 7,2 | 6,1 | 5,2 | 5,2 |
| | 29 | 0,39 | 0,39 | 0,34 | 0,28 | 0,28 | 0,24 | 0,20 | 0,20 |
| 9/64" x 3/32" | 3 | 11 | 11 | 9,5 | 7,8 | 7,8 | 6,5 | 5,5 | 5,5 |
| | 44 | 0,43 | 0,43 | 0,37 | 0,31 | 0,31 | 0,26 | 0,22 | 0,22 |
| | 4 | 11 | 11 | 10 | 8,3 | 8,3 | 7 | 5,9 | 5,9 |
| | 58 | 0,43 | 0,43 | 0,39 | 0,33 | 0,33 | 0,28 | 0,23 | 0,23 |
| 5/32" x 3/32" | 2 | 12 | 12 | 10,2 | 8,5 | 8,5 | 7,2 | 6,2 | 6,2 |
| | 29 | 0,47 | 0,47 | 0,40 | 0,33 | 0,33 | 0,28 | 0,24 | 0,24 |
| | 3 | 13 | 13 | 11,1 | 9,3 | 9,3 | 7,8 | 6,6 | 6,6 |
| | 44 | 0,51 | 0,51 | 0,44 | 0,37 | 0,37 | 0,31 | 0,26 | 0,26 |
| 58 | 4 | 13 | 13 | 11,9 | 10 | 10 | 8,4 | 7,1 | 7,1 |
| | 58 | 0,51 | 0,51 | 0,47 | 0,39 | 0,39 | 0,33 | 0,28 | 0,28 |

T: Triang. CU < 85% CU 85-88% CU 88-92% CU > 92%



GERMINATION



Tool for quick-coupling bayonet nozzles

| NOZZLE | Spacing (m) / Precipit. rate (mm/h) Spacing (ft) / Precipit. rate (in/h) | | | | | | | | |
|---------------------------------|---|----------------|--------------------|----------------|----------------|--------------------|----------------|----------------|--------------------|
| | BAR PSI | 10x10 33x33 | 10x10 T 33x33 T | 10x12 39x33 | 12x12 39x39 | 12x12 T 39x39 T | 12x14 46x39 | 14x14 46x46 | 14x14 T 46x46 T |
| 2,4 x 1,6 mm 3/32" x 1/16" | 2,5 | 5,3 | 5,3 | 4,4 | 3,7 | 3,7 | 3,2 | 2,7 | 2,7 |
| | 36,3 | 0,21 | 0,21 | 0,17 | 0,15 | 0,15 | 0,13 | 0,11 | 0,11 |
| | 3 | 6,1 | 6,1 | 5,1 | 4,2 | 4,2 | 3,6 | 3,1 | 3,1 |
| | 43,5 | 0,24 | 0,24 | 0,20 | 0,17 | 0,17 | 0,14 | 0,12 | 0,12 |
| 2,5 x 1,6 mm 13/128" x 1/16" | 3,5 | 6,5 | 6,5 | 5,4 | 4,5 | 4,5 | 3,8 | 3,3 | 3,3 |
| | 50,8 | 0,26 | 0,26 | 0,21 | 0,18 | 0,18 | 0,15 | 0,13 | 0,13 |
| | 2,5 | 5,4 | 5,4 | 4,5 | 3,8 | 3,8 | 3,2 | 2,8 | 2,8 |
| | 36,3 | 0,21 | 0,21 | 0,18 | 0,15 | 0,15 | 0,13 | 0,11 | 0,11 |
| 2,6 x 1,6 mm 3/32" x 1/16" | 3 | 5,9 | 5,9 | 4,9 | 4,1 | 4,1 | 3,5 | 3 | 3 |
| | 43,5 | 0,23 | 0,23 | 0,19 | 0,16 | 0,16 | 0,14 | 0,12 | 0,12 |
| | 3,5 | 5,7 | 5,7 | 4,8 | 4 | 4 | 3,4 | 2,9 | 2,9 |
| | 50,8 | 0,22 | 0,22 | 0,19 | 0,16 | 0,16 | 0,13 | 0,11 | 0,11 |
| 3/32" x 1/16" | 2,5 | 5,7 | 5,7 | 4,9 | 4,1 | 4,1 | 3,5 | 3 | 3 |
| | 36,3 | 0,22 | 0,22 | 0,19 | 0,16 | 0,16 | 0,14 | 0,12 | 0,12 |
| | 3 | 5,9 | 5,9 | 5,1 | 4,2 | 4,2 | 3,4 | 3 | 3 |
| | 43,5 | 0,23 | 0,23 | 0,20 | 0,17 | 0,17 | 0,13 | 0,12 | 0,12 |
| 58 | 3,5 | 6,2 | 6,2 | 5,2 | 4,3 | 4,3 | 3,7 | 3,2 | 3,2 |
| | 50,8 | 0,24 | 0,24 | 0,20 | 0,17 | 0,17 | 0,15 | 0,13 | 0,13 |

Performance nozzle table VYR-26

| NOZZLE | 1,6 mm 1/16" | | 2 mm 5/64" | | 2,4 mm 3/32" | | 2,5 mm 13/128" | | 2,6 mm 3/32" | | 2,8 mm 7/64" | | 3 mm 1/8" | | 3,2 mm 17/128" | | 3,6 mm 9/64" | | 4 mm 5/32" | |
|--------|-----------------|------------|---------------|------------|-----------------|------------|-------------------|------------|-----------------|------------|-----------------|------------|--------------|------------|-------------------|------------|-----------------|------------|---------------|------------|
| | BAR PSI | L/H GPH | Øm Øft | L/H GPH | Øm Øft | L/H GPH | Øm Øft | L/H GPH | Øm Øft | L/H GPH | Øm Øft | L/H GPH | Øm Øft | L/H GPH | Øm Øft | L/H GPH | Øm Øft | L/H GPH | Øm Øft | L/H GPH |
| 2 | 100 | 16 | 157 | 18 | 227 | 20 | 245 | 22 | 340 | 22,8 | 433 | 23,6 | 497 | 23,5 | 565 | 24,9 | 716 | 25,5 | 883 | 25,6 |
| 29 | 26 | 52 | 41 | 59 | 60 | 66 | 65 | 72 | 90 | 75 | 114 | 77 | 131 | 77 | 149 | 82 | 189 | 84 | 233 | 84 |
| 2,5 | 112 | 16 | 176 | 18 | 254 | 20 | 275 | 22 | 379 | 22,9 | 484 | 23,7 | 556 | 24 | 623 | 25,1 | 800 | 25,5 | 988 | 25,8 |
| 36 | 30 | 52 | 46 | 59 | 67 | 66 | 73 | 72 | 100 | 75 | 128 | 78 | 147 | 79 | 165 | 82 | 211 | 84 | 261 | 85 |
| 3 | 123 | 16 | 193 | 19 | 278 | 21 | 310 | 23 | 415 | 23,1 | 530 | 23,8 | 609 | 24,5 | 693 | 25,3 | 876 | 25,6 | 1082 | 25,8 |
| 44 | 32 | 52 | 51 | 62 | 73 | 69 | 82 | 75 | 110 | 76 | 140 | 78 | 161 | 80 | 183 | 83 | 231 | 84 | 286 | 85 |
| 3,5 | 133 | 16 | 208 | 19 | 300 | 21 | 335 | 23 | 449 | 23,3 | 573 | 24 | 657 | 24,5 | 748 | 25,5 | 947 | 25,6 | 1169 | 25,9 |
| 51 | 35 | 52 | 55 | 62 | 79 | 69 | 88 | 75 | 119 | 76 | 151 | 79 | 174 | 80 | 198 | 84 | 250 | 84 | 309 | 85 |
| 4 | 142 | 16 | 222 | 19 | 321 | 21 | 365 | 23 | 480 | 23,4 | 612 | 24 | 703 | 25 | 800 | 25,6 | 1012 | 25,6 | 1249 | 25,9 |
| 58 | 38 | 52 | 59 | 62 | 85 | 69 | 96 | 75 | 127 | 77 | 162 | 79 | 186 | 86 | 211 | 84 | 267 | 84 | 330 | 85 |

Standard Ø: Diameter range

*** Shadow areas must adjust spring to position 2 (more tension).

VYR-802 AG



Ref. 008023



Ref. 008020



Ref. 008025

VYR-802 AG · Full circle AG

GENERAL PROPERTIES:

- Part-circle plastic impact sprinkler for gardening, agriculture, floriculture and greenhouses.
- 1/2" male connection.
- Made of plastic, brass and stainless steel.
- High-resistance rotating joints.
- Arm with anti-splash design.
- Adjustable deflector plate.
- Upper "clip" for positioning inside a casing (VYR-962 AQUA-PRO).
- Irrigation area system controlled by rotating clips.
- Adjustable jet breaker diffuser pin.
- Its versatility and adaptability to all type of gardens make this model one of most common for home gardening.
- This model is also used in low flow agricultural irrigation systems as a complementary part-circle model to VYR-26 and VYR-16.

TECHNICAL SPECIFICATIONS:

- Reach: 10 - 13 m
- Flow: 460 - 1.180 l/h
- Working pressure: 1.5 - 4 BAR
- Area: Full or part circle.
- Nozzles: A multi-jet nozzle.
- Trajectory angles: 26°
- Maximum stream height: 2.5 m
- Rotation time: Adjustable. Depending on the pressure and the nozzles, the rotation will be constant and continuous.
- Uniformity coefficient higher than 90% in areas of 10x10R, 12x12T and 12x13T (meters).

APPLICATIONS:

- Public and private gardens.
- Horticultural plantations, floriculture and fruit trees.

MEASUREMENTS:

- Width: 13 cm / 5,1 in.
- Height: 12 cm / 4,7 in.
- Weight: 220 g / 0,5 Lbs
- Units per box: 100

OPTIONS:

- Available with a brass arm for faster and more consistent rotation (in areas with strong winds).
- Self-compensating flow control valves of 2.5 BAR.
- Assembled as a "complete support kit" on a 1.3 or 0.7 m galvanized stake with microtube and connectors.
- Assembled as a "complete support kit" on a brass, aluminium or plastic spike.
- Assembled as a "complete support kit" on an aluminium base.

MODELS:

Ref. 008023: VYR-802 full circle plastic arm.

Ref. 008025: VYR-802 full circle brass arm.

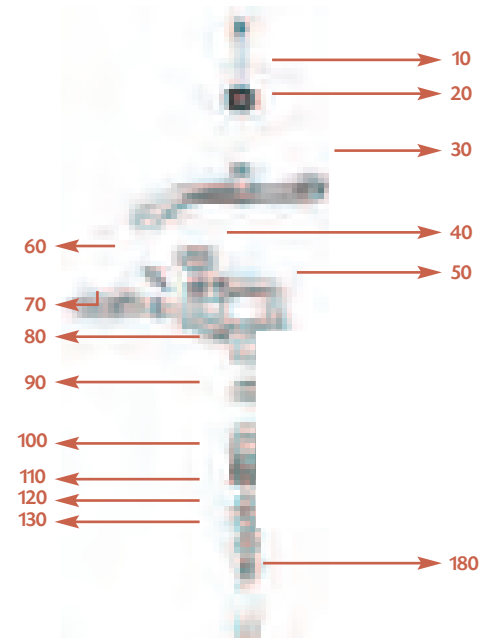


TABLES & PARTS

Technical guidance table VYR-802

| NOZZLE | BAR PSI | Spacing (m) / Precipit. rate (mm/h) Spacing (ft) / Precipit. rate (in/h) | | | | | |
|-----------------|------------|---|------------------|-------------------|--------------------|----------------|----------------|
| | | 9x9 30x30 | 9x9 T 30x30 T | 9x10 T 33x33 T | 10x10 T 33x33 T | 10x12 33x39 | 12x12 39x39 |
| 3 mm 1/8" | 2,5 | 6,7 | 6 | 4,6 | 4,3 | 4,1 | 3,5 |
| | 36 | 0,26 | 0,24 | 0,18 | 0,17 | 0,16 | 0,14 |
| | 3 | 7,6 | 6,8 | 5,3 | 5 | 4,7 | 4 |
| 3,5 mm 9/64" | 44 | 0,30 | 0,27 | 0,21 | 0,20 | 0,19 | 0,16 |
| | 3,5 | 8,5 | 7,6 | 5,9 | 5,6 | 5,3 | 4,5 |
| | 51 | 0,33 | 0,30 | 0,23 | 0,22 | 0,21 | 0,18 |
| 4 mm 5/32" | 2,5 | 9 | 8,1 | 6,3 | 6 | 5,6 | 4,8 |
| | 36 | 0,35 | 0,32 | 0,25 | 0,24 | 0,22 | 0,19 |
| | 3 | 10,1 | 9,1 | 7,2 | 6,8 | 6,4 | 5,4 |
| 3,5 mm 9/64" | 44 | 0,40 | 0,36 | 0,28 | 0,27 | 0,25 | 0,21 |
| | 3,5 | 11,2 | 10,1 | 8 | 7,6 | 7,1 | 6 |
| | 51 | 0,44 | 0,40 | 0,31 | 0,30 | 0,28 | 0,24 |
| 4 mm 5/32" | 2,5 | 11,5 | 10,4 | 8,3 | 7,9 | 7,3 | 6,2 |
| | 36 | 0,45 | 0,41 | 0,33 | 0,31 | 0,29 | 0,24 |
| | 3 | 12,9 | 11,7 | 9,4 | 8,9 | 8,2 | 6,9 |
| 4 mm 5/32" | 44 | 0,51 | 0,46 | 0,37 | 0,35 | 0,32 | 0,27 |
| | 3,5 | 14,2 | 12,9 | 10,4 | 9,8 | 9,1 | 7,7 |
| | 51 | 0,56 | 0,51 | 0,41 | 0,39 | 0,36 | 0,30 |

T: Triang. CU < 85% CU 85-88% CU 88-92% CU > 92%



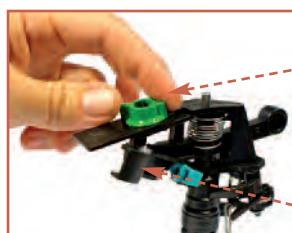
Performance nozzle table VYR-802

| NOZZLE | 3 mm 1/8" | | 3,5 mm 9/64" | | 4 mm 5/32" | |
|--------|--------------|-------------|-----------------|-------------|---------------|-------------|
| | L/H GPH | Ø m Ø ft | L/H GPH | Ø m Ø ft | L/H GPH | Ø m Ø ft |
| 1,5 | 450 | 20 | 580 | 21 | 730 | 22 |
| 22 | 119 | 66 | 153 | 69 | 193 | 72 |
| 2 | 510 | 21 | 660 | 22 | 850 | 23 |
| 29 | 135 | 69 | 174 | 72 | 225 | 75 |
| 2,5 | 550 | 22 | 740 | 23 | 950 | 24 |
| 36 | 145 | 72 | 195 | 75 | 251 | 79 |
| 3 | 630 | 23 | 810 | 23 | 1030 | 24 |
| 44 | 166 | 75 | 214 | 75 | 272 | 79 |
| 3,5 | 680 | 23 | 870 | 24 | 1110 | 25 |
| 51 | 180 | 75 | 230 | 79 | 293 | 82 |
| 4 | 720 | 24 | 930 | 25 | 1180 | 26 |
| 58 | 190 | 79 | 246 | 82 | 312 | 85 |

Standard Ø: Diameter range



- Sprinklers will be supplied with standard nozzles unless otherwise specified.
- These results has benn obtained at indoor laboratory with 0 m/seg win velocity. Outdoor results may change range distances.



Ajustable deflector plate

Anti back-splash arm



Ajustable difuser pin

VYR-26 LA



Ref. 002630



Ref. 002631



Ref. 102640
Germination



Ref. 102641
Germination

VYR-26 LA · Full circle AG

GENERAL PROPERTIES:

- Riser-mounted low flow sprinkler, one nozzle and low angle.
- Model with cover for FROST SPRING PROTECTION.
- Made of plastic and stainless steel.
- High-resistance rotating joints.
- Quick-coupling bayonet nozzles, color-coded for easy identification.
- GERMINATION models.

TECHNICAL SPECIFICATIONS:

- Reach: 8 - 10 m
- Flow: 170 - 1300 l/h
- Working pressure: 1.5 - 3.5 BAR
- Area: Full circle.
- Nozzles: one nozzle, one long range (2 - 3.6 mm).
- trajectory angles: 12°.
- Maximum height of waterjet: 1.6 m (low angle).
- Rotation time: Depending on the pressure and the nozzles, the rotation will be constant and continuous.
- Uniformity coefficient higher than 90% in areas of 8x8R y 8x10T (meters)

APPLICATIONS:

- Low flow irrigation such as cotton, vegetables, floriculture, strawberry plants, etc.
- Ideal in areas where the user prefers to take the sprinkler sets home once irrigation is complete, thanks to its quick coupling connection design.

MEASUREMENTS:

- Height: 16 cm
- Width: 12 cm
- Weight: 65 g
- Units per box: 250

OPTIONS:

- "COMPACT" connection for quick-coupling assembly.
- Threads in BSP or NPT under demand.
- Standard assembly or with frost protection cover, as requested in the order.
- Assembled on "Agro-Stand" with a 1.3 m galvanized stake with microtube and connectors.

MODELS:

- Ref. 002630: LOW-ANGLE 12°.
- Ref. 002631: LOW-ANGLE 12° with anti-frost cap.
- Ref. 002640: L-A 12°, GERMINATION.
- Ref. 002641: L-A 12° + anti-frost cap, GERMINATION.
- Ref. 102660: Nozzle tool.





TABLES & PARTS

Technical guidance table VYR-26 LA

| NOZZLE | Spacing (m) / Precipit. rate (mm/h) Spacing (ft) / Precipit. rate (in/h) | | | | | | |
|-------------------|---|--------------|---------------|----------------|----------------|----------------|----------------|
| | BAR PSI | 9x9 30x30 | 9x10 30x33 | 9x12 30x39T | 10x10 33x33 | 10x12 33x39 | 12x12 39x39 |
| 2,6 mm 3/32" | 2 | 4,4 | 4 | 3,3 | 3,6 | 3 | 2,5 |
| | 29 | 0,17 | 0,16 | 0,13 | 0,14 | 0,12 | 0,10 |
| | 2,5 | 4,9 | 4,4 | 3,7 | 4 | 3,3 | 2,7 |
| | 36 | 0,19 | 0,17 | 0,15 | 0,16 | 0,13 | 0,11 |
| | 3 | 5,2 | 4,7 | 3,9 | 4,3 | 3,5 | 3 |
| 2,8 mm 7/64" | 44 | 0,20 | 0,19 | 0,15 | 0,17 | 0,14 | 0,12 |
| | 3,5 | 5,6 | 5,1 | 4,2 | 4,6 | 3,8 | 3,2 |
| | 51 | 0,22 | 0,20 | 0,17 | 0,18 | 0,15 | 0,13 |
| | 2 | 5,6 | 5 | 4,2 | 4,5 | 3,8 | 3,1 |
| | 29 | 0,22 | 0,20 | 0,17 | 0,18 | 0,15 | 0,12 |
| 3 mm 1/8" | 2,5 | 6,1 | 5,5 | 4,6 | 5 | 4,1 | 3,4 |
| | 36 | 0,24 | 0,22 | 0,18 | 0,20 | 0,16 | 0,13 |
| | 3 | 6,5 | 5,9 | 4,9 | 5,3 | 4,4 | 3,7 |
| | 44 | 0,26 | 0,23 | 0,19 | 0,21 | 0,17 | 0,15 |
| | 3,5 | 7 | 6,3 | 5,3 | 5,7 | 4,8 | 4 |
| 3,2 mm 17/128" | 51 | 0,28 | 0,25 | 0,21 | 0,22 | 0,19 | 0,16 |
| | 2 | 6,8 | 6,1 | 5,1 | 5,5 | 4,6 | 3,8 |
| | 29 | 0,27 | 0,24 | 0,20 | 0,22 | 0,18 | 0,15 |
| | 2,5 | 7,4 | 6,7 | 5,6 | 6 | 5 | 4,2 |
| | 36 | 0,29 | 0,26 | 0,22 | 0,24 | 0,20 | 0,17 |
| 3,2 mm 17/128" | 3 | 8 | 7,2 | 6 | 6,5 | 5,4 | 4,5 |
| | 44 | 0,31 | 0,28 | 0,24 | 0,26 | 0,21 | 0,18 |
| | 3,5 | 8,6 | 7,7 | 6,4 | 7 | 5,8 | 4,8 |
| | 51 | 0,34 | 0,30 | 0,25 | 0,28 | 0,23 | 0,19 |
| | 2 | 7,9 | 7,1 | 5,9 | 6,4 | 5,3 | 4,4 |
| 3,2 mm 17/128" | 29 | 0,31 | 0,28 | 0,23 | 0,25 | 0,21 | 0,17 |
| | 2,5 | 8,7 | 7,8 | 6,5 | 7 | 5,9 | 4,9 |
| | 36 | 0,34 | 0,31 | 0,26 | 0,28 | 0,23 | 0,19 |
| | 3 | 9,4 | 8,5 | 7,1 | 7,6 | 6,4 | 5,3 |
| | 44 | 0,37 | 0,33 | 0,28 | 0,30 | 0,25 | 0,21 |
| 3,2 mm 17/128" | 3,5 | 10,1 | 9,1 | 7,6 | 8,2 | 6,8 | 5,7 |
| | 51 | 0,40 | 0,36 | 0,30 | 0,32 | 0,27 | 0,22 |

T: Triang. CU < 85% CU 85-88% CU 88-92% CU > 92%



Performance nozzle table VYR-26 LA

| NOZZLE | 2 mm 5/64" | 2,4 mm 3/32" | 2,5 mm 13/128" | 2,6 mm 7/64" | 2,8 mm 15/128" | 3 mm 1/8" | 3,2 mm 17/128" | 3,6 mm 9/64" | 4 mm 5/32" | |
|------------|---------------|-----------------|-------------------|-----------------|-------------------|--------------|-------------------|-----------------|---------------|-------------|
| BAR PSI | L/H GPH | Ø m Ø ft | L/H GPH | Ø m Ø ft | L/H GPH | Ø m Ø ft | L/H GPH | Ø m Ø ft | L/H GPH | Ø m Ø ft |
| 2 | 170 | 15,5 | 265 | 17 | 245 | 18 | 297 | 18 | 355 | 18,5 |
| 29 | 45 | 51 | 70 | 56 | 65 | 59 | 78 | 59 | 94 | 61 |
| 2,5 | 230 | 15,5 | 300 | 17 | 275 | 18,5 | 356 | 18,5 | 395 | 19,5 |
| 36 | 61 | 51 | 79 | 56 | 73 | 61 | 94 | 64 | 104 | 64 |
| 3 | 250 | 16 | 340 | 17,5 | 310 | 19 | 390 | 19 | 430 | 20 |
| 44 | 66 | 52 | 90 | 57 | 82 | 62 | 103 | 62 | 114 | 66 |
| 3,5 | 280 | 16,5 | 365 | 18 | 335 | 19,5 | 407 | 19,5 | 450 | 20,5 |
| 51 | 74 | 54 | 96 | 59 | 88 | 64 | 108 | 64 | 119 | 67 |
| 4 | 310 | 16,5 | 400 | 18,5 | 365 | 20 | 413 | 20 | 460 | 21 |
| 58 | 82 | 54 | 106 | 61 | 96 | 66 | 109 | 66 | 122 | 69 |
| | | | | | | | | | 135 | 71 |
| | | | | | | | | | 172 | 74 |
| | | | | | | | | | 288 | 75 |

Standard Ø: Diameter range

- Sprinklers will be supplied with standard nozzles unless otherwise specified.
- These results has been obtained at indoor laboratory with 0m/seg win velocity. Outdoor results may change range distances.



Quick-coupling tool for bayonet nozzles

Agro-Stand

greenflex
pipes



Ref. 102641



Full set AgroStand

Ref. 102670

Security locks



Flexible anti-blending pipe GreenFlex



Easy quick anti-drip connectors



Self-compensating valve

50 units Box with full assembled Agro-Stand



Ref. 466619

Triple Spike Stand
1/2" M



5 cm 1/2"

40 cm

AGRO-STAND · Accesories

GENERAL PROPERTIES:

- Sprinkler Stand System for 1/2" thread models.
- 1,3 m height steel spike, which 30-40 cm are stuck into the ground.
- Made of hi-quality PVC & POM plastics.
- Security-Lock for pipe connection.
- Working pressure of 0-6 BAR.

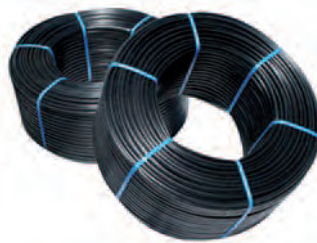
MODELS:

- Ref. 102670: KIT AGRO-STAND: Sprinkler stand + 1,3 m pipe 13 mm + male & female fitting.
- Ref. 102675: Triple spike stand 1/2" M.
- Ref. 102630: Sprinkler stand.
- Ref. 102672: Self-compensating valve.
- Ref. 102620: Male connector thread-barbed 10 mm.
- Ref. 102610: Male connector thread-barbed 10 mm.
- Ref. 102600: Plug.
- Ref. 102641: Galvanized steel spike 1,2 m for Agro-Stand (revited).
- Ref. 102652: Micro-pipe roll 13 mm of 100 m. (ANTI-FLAT)
- Ref. 102651: Micro-pipe 13 mm of 1,3 m long. (ANTI-FLAT)
- Ref. 466619: Pipe Cutter Tool (10-20 mm).



AGRO-PUNCHERS

Ref. 103120



Ref. 103130



AGRO-PUNCHERS · Accessories for Agro-Stand

GENERAL PROPERTIES:

- Tools for the punching and hole maker into PE pipes and quick connection of AGRO-STAND fittings.
- Quick and secure connection connection system without any leakage and water loose.

MODELS:

- Ref. 103120: Manual puncher tool 10 mm
- Ref. 103130: Auto-puncher tool "Cut-Turn-Place".



Ref. 103140

Ref. 103150

AGRO-FLAT



AGRO-FLAT · Accessories for Agro-Stand

GENERAL PROPERTIES:

- Flat pipe PN-10 system for the quick connection of Agro-Stand lines by using a circular cutter pliers and a express outlet compression micro-fitting.
- Easy and quick assamble, unassamble and storage, by rolling up the pipe.
- Quick and secure connection, connection system without any leakage and water loose.

MODELS:

CONNECTORS AND TOOLS:

- Ref. 103150: Mini-express fitting for flat pipe, for quick-couplig connector.
- Ref. 103140: Puncher pliers for 13 mm holes.

LAY-FLAT PIPE:

- Ref. 102755: Lay-flat pipe AGRO-FLAT of 50 mm, 8 BAR, 50 m
- Ref. 102763: Lay-flat pipe AGRO-FLAT of 63 mm, 8 BAR, 50 m
- Ref. 102775: Lay-flat pipe AGRO-FLAT of 75 mm, 8 BAR, 50 m
- Ref. 102791: Lay-flat pipe AGRO-FLAT of 100 mm, 8 BAR, 50 m

RACORDS:

- Ref. 102715: Straight coupler AGRO-FLAT of 50 mm
- Ref. 102719: Straight coupler AGRO-FLAT of 63 mm
- Ref. 102716: Straight coupler AGRO-FLAT of 75 mm
- Ref. 102717: Straight coupler AGRO-FLAT of 100 mm

- Ref. 102718: Straight threaded coupler AGRO-FLAT of 50 mm - 2" F
- Ref. 102731: Straight threaded coupler AGRO-FLAT of 63 mm - 2 1/2" F
- Ref. 102719: Straight threaded coupler AGRO-FLAT of 75 mm - 3" F
- Ref. 102720: Straight threaded coupler AGRO-FLAT of 100 mm - 4" F

- Ref. 102721: Straight threaded coupler AGRO-FLAT of 50 mm - 2" M
- Ref. 102732: Straight threaded coupler AGRO-FLAT of 63 mm - 2" M
- Ref. 102722: Straight threaded coupler AGRO-FLAT of 75 mm - 2" M
- Ref. 102723: Straight threaded coupler AGRO-FLAT of 100 mm - 2" M

- Ref. 102724: Straight threaded **rotative** AGRO-FLAT of 50 mm to 2" M
- Ref. 102733: Straight threaded **rotative** AGRO-FLAT 63 mm to 2 1/2" M
- Ref. 102725: Straight threaded **rotative** AGRO-FLAT of 75 mm to 3" M
- Ref. 102726: Straight threaded **rotative** AGRO-FLAT of 100 mm to 4" M

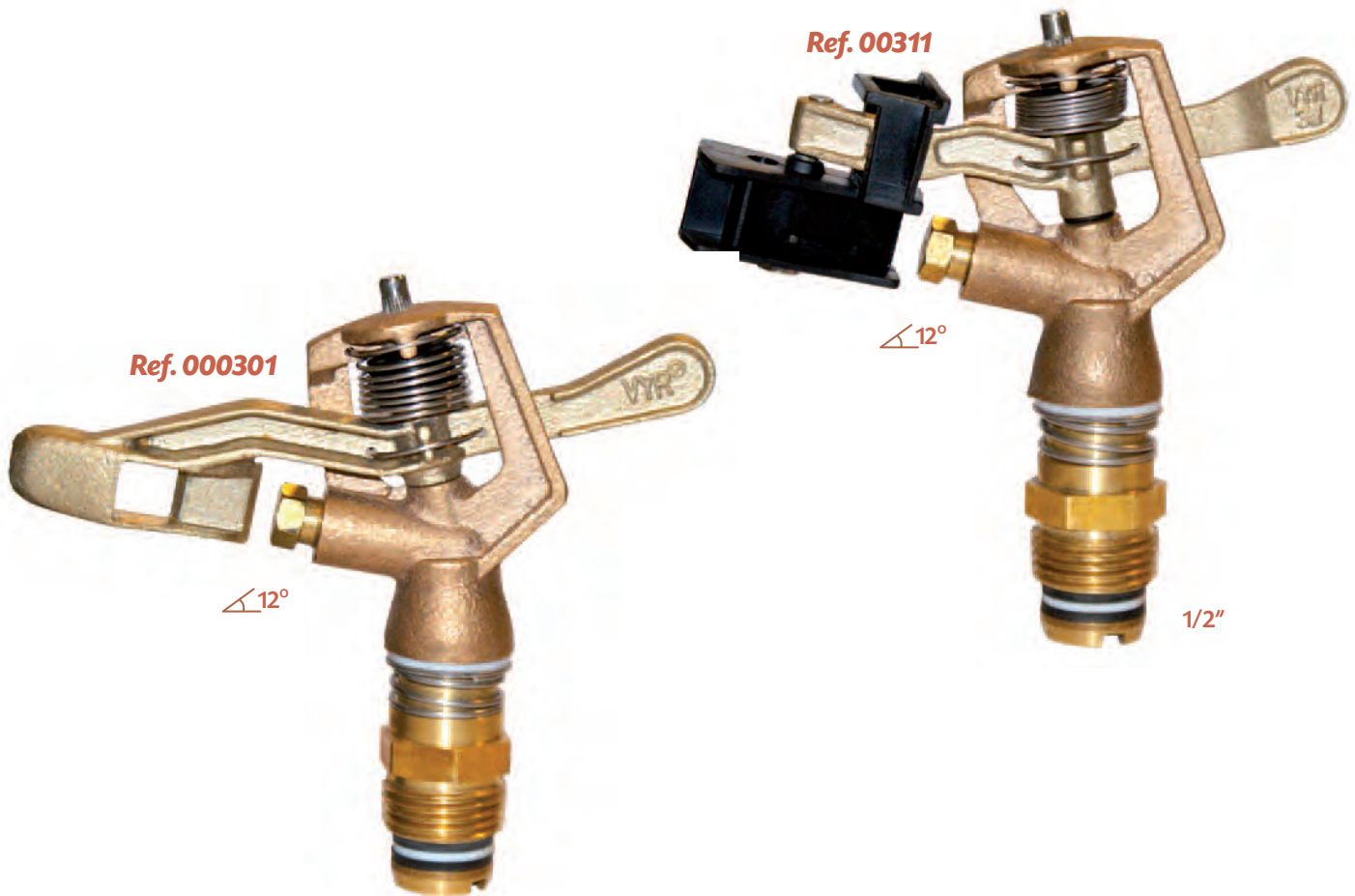
- Ref. 102730: Theaded TE **rotative** AGRO-FLAT of 50 mm to 2" M
- Ref. 102734: Theaded TE **rotative** AGRO-FLAT 63 mm to 2 1/2" M
- Ref. 102731: Theaded TE **rotative** AGRO-FLAT of 75 mm to 3" M
- Ref. 102732: Theaded TE **rotative** AGRO-FLAT of 100 mm to 4" M

- Ref. 102727: End plug AGRO-FLAT of 50 mm.
- Ref. 102735: End plug AGRO-FLAT of 63 mm.
- Ref. 102728: End plug AGRO-FLAT of 80 mm.
- Ref. 102729: End plug AGRO-FLAT of 100 mm.

** Hose clamps on page 204.



VYR-3 & VYR-3W



VYR-3 & VYR-3W · Full circle AG

GENERAL PROPERTIES:

- Agricultural impact sprinkler with medium-low flow and low angle.
- 1/2" male connection.
- Made of brass and stainless steel.
- High-resistance rotating joints.
- Nozzle angle of 12°
- Two (2) different arm models: One with a large spoon, and other with a wedge deflector for optimal distribution in its uniformity coefficient.
- Ideal for irrigation under groves, nut trees, banana trees and other fruit trees.

TECHNICAL SPECIFICATIONS:

- A Range distance: 7 - 10 m / 23 - 33 ft.
- Flow: 260 - 650 L/H / 68 - 172 GPH.
- Working pressure: 1,7 - 4,5 BAR / 25 - 65 PSI.
- Area: Full circle.
- Nozzles: A deflector nozzle.
- Trajectory angles: 12°
- Maximum stream height: 1,4 m / 4,6 ft.
- Rotation time: Depending on the pressure and the nozzles, the rotation will be constant and continuous.
- Uniformity coefficient higher than 90% in areas of 10x10R, 12x10T and 11x11T (meters).

APPLICATIONS:

- Low flow applications such as horticultural plants, vegetables and fruit trees. Suitable for the irrigation of banana and other tropical fruit trees.

MEASUREMENTS:

- Height: 13 cm / 5,1 in.
- Width: 14 cm / 5,5 in.
- Weight: 194 g / 0,43 Lbs
- Units per box: 100

OPTIONS:

- Threads in BSP or NPT under demand.
- Assembled on "Agro-Stand" with 1.3 m galvanized steel spike, microtube and connectors.

MODELS:

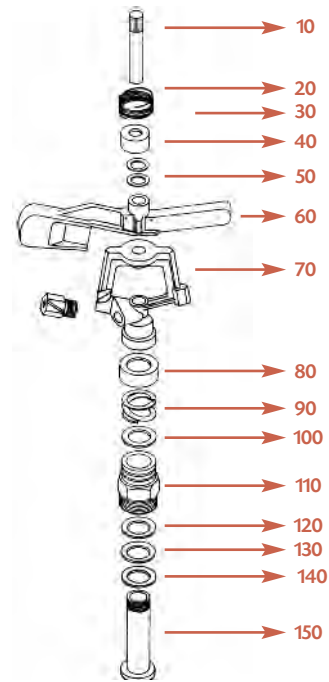
- Ref. 000301: VYR-3 standard arm.
- Ref. 000311: VYR-3W wedge arm.

TABLES & PARTS

Technical guidance table VYR-3

| NOZZLE | Spacing (m) / Precipit. rate (mm/h) Spacing (ft) / Precipit. rate (in/h) | | | | | | |
|-------------------|---|--------------|--------------|---------------|--------------|----------------|---------------|
| | BAR PSI | 5x5 16x16 | 6x6 19x19 | 6x10 16x32 | 8x8 26x26 | 10x10 32x32 | 8x12 26x39 |
| 2,8 mm 15/128" | 2 | 16,8 | 11,6 | 7 | 6,5 | 4,2 | 4,4 |
| | 29 | 0,66 | 0,46 | 0,28 | 0,26 | 0,17 | 0,17 |
| | 2,5 | 18,8 | 13 | 7,8 | 7,3 | 4,7 | 4,9 |
| | 36 | 0,74 | 0,51 | 0,31 | 0,29 | 0,19 | 0,19 |
| 3 mm 1/8" | 3 | 20,5 | 14,3 | 8,6 | 8 | 5,1 | 5,3 |
| | 44 | 0,81 | 0,56 | 0,34 | 0,31 | 0,20 | 0,21 |
| | 2 | 21,6 | 15 | 9 | 8,4 | 5,4 | 5,6 |
| | 29 | 0,85 | 0,59 | 0,35 | 0,33 | 0,21 | 0,22 |
| 3,5 mm 9/64" | 2,5 | 24 | 16,7 | 10 | 9,4 | 6,0 | 6,3 |
| | 36 | 0,94 | 0,66 | 0,39 | 0,37 | 0,24 | 0,25 |
| | 3 | 26,4 | 18,3 | 11 | 10,3 | 6,6 | 6,9 |
| | 44 | 1,04 | 0,72 | 0,43 | 0,41 | 0,26 | 0,27 |
| 3,5 mm 9/64" | 2 | 28,2 | 19,6 | 11,7 | 11 | 7 | 7,3 |
| | 29 | 1,1 | 0,77 | 0,46 | 0,43 | 0,28 | 0,29 |
| | 2,5 | 31,5 | 21,9 | 13,1 | 12,3 | 7,9 | 8,2 |
| | 36 | 1,24 | 0,86 | 0,52 | 0,48 | 0,31 | 0,32 |
| 3,5 mm 9/64" | 3 | 34,4 | 23,9 | 14,3 | 13,4 | 8,6 | 9 |
| | 44 | 1,35 | 0,94 | 0,56 | 0,53 | 0,34 | 0,35 |

T: Triang. CU < 85% CU 85-88% CU 88-92% CU > 92%



Performance nozzle table VYR-3

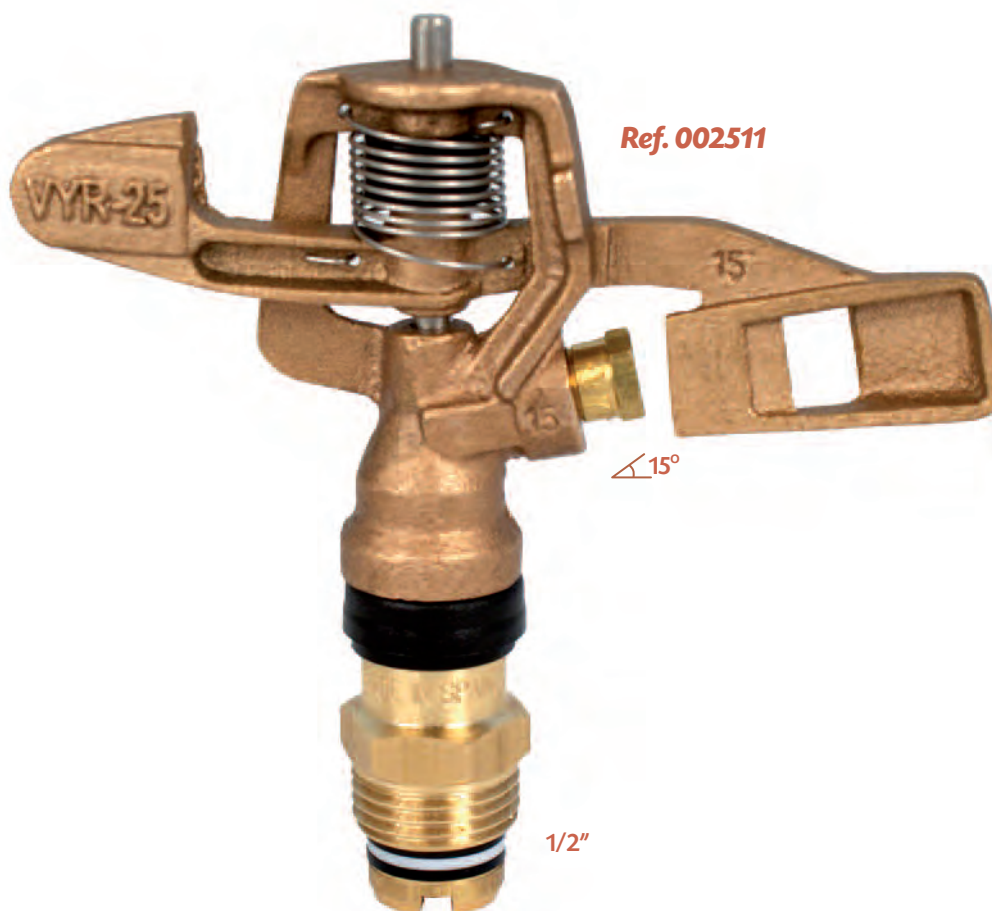
| NOZZLE | 1,6 mm 9/128" | | 2 mm 5/64" | | 2,4 mm 3/32" | | 2,8 mm 15/128" | | 3 mm 1/8" | | 3,2 mm 17/128" | |
|--------|------------------|---------------------------|---------------------------|---------------------------|---------------------------|---------------------------|---------------------------|---------------------------|---------------------------|---------------------------|---------------------------|---------------------------|
| | BAR PSI | L/H GPH Ø m Ø ft | L/H GPH Ø m Ø ft | L/H GPH Ø m Ø ft | L/H GPH Ø m Ø ft | L/H GPH Ø m Ø ft | L/H GPH Ø m Ø ft | L/H GPH Ø m Ø ft | L/H GPH Ø m Ø ft | L/H GPH Ø m Ø ft | L/H GPH Ø m Ø ft | L/H GPH Ø m Ø ft |
| 1,5 | 125 | 15 | 260 | 16,5 | 290 | 17,5 | 378 | 19,5 | 442 | 19,5 | 486 | 20 |
| 22 | 33 | 49 | 69 | 54 | 77 | 57 | 100 | 64 | 117 | 64 | 128 | 66 |
| 2 | 140 | 15,5 | 283 | 17 | 310 | 18 | 419 | 20 | 493 | 20 | 539 | 20 |
| 29 | 37 | 51 | 75 | 56 | 82 | 59 | 111 | 66 | 130 | 66 | 142 | 66 |
| 2,5 | 150 | 16,5 | 300 | 17 | 350 | 18,5 | 469 | 21 | 557 | 21 | 600 | 21 |
| 36 | 40 | 54 | 79 | 56 | 92 | 61 | 124 | 69 | 147 | 69 | 159 | 69 |
| 3 | 170 | 17 | 336 | 17,5 | 380 | 19 | 513 | 22 | 580 | 22 | 660 | 22 |
| 44 | 45 | 56 | 89 | 57 | 100 | 62 | 136 | 72 | 153 | 72 | 174 | 72 |
| 3,5 | 180 | 17,5 | 367 | 18 | 410 | 19,5 | 560 | 22,5 | 603 | 22,5 | 635 | 22,5 |
| 51 | 48 | 57 | 97 | 59 | 108 | 64 | 148 | 74 | 159 | 74 | 168 | 74 |
| 4 | 195 | 18 | 408 | 18,5 | 450 | 20 | 610 | 23 | 630 | 23 | 650 | 23,5 |
| 58 | 52 | 59 | 108 | 61 | 119 | 66 | 161 | 75 | 166 | 75 | 172 | 77 |

Standard Ø: Diameter range

- For optimum distribution avoid use in shady areas. Only with deflector plate!!!
- Sprinklers will be supplied with standard nozzles unless otherwise specified.
- These results has benn obtained at indoor laboratory with 0 m/seg win velocity. Outdoor results may change range distances.



VYR-25 L



VYR-25 L · Full circle AG

GENERAL PROPERTIES:

- Low angle and low flow agricultural impact sprinkler.
- 1/2" male connection.
- Made of bronze, brass and stainless steel.
- High-resistance rotating joints.
- Nozzle angle of 15°

TECHNICAL SPECIFICATIONS:

- Range distance: 8 - 13 m / 26 - 43 ft.
- Flow: 260 - 1180 L/H / 68 - 312 GPH.
- Working pressure: 1,7 - 4,5 BAR / 25 - 65 PSI.
- Area: Full circle.
- Nozzles: One nozzle.
- Trajectory angles: 15°
- Maximum stream height: 1,5 m / 4,9 ft.
- Rotation time: Depending on the pressure and the nozzles, the rotation will be constant and continuous.
- Uniformity coefficient higher than 90% in areas of 9x9R, 12x10T and 11x11T (meters).

APPLICATIONS:

- Low flow crops and horticulture. Ideal for areas with strong winds and irrigation under trees.

MEASUREMENTS:

- Height: 11 cm / 4,3 in.
- Width: 11 cm / 4,3 in.
- Weight: 236 g / 0,52 Lbs.
- Units per box: 100

OPTIONS:

- Threads in BSP or NPT under demand.
- Oval-shaped deflector nozzle.
- Self-compensating flow control valves of 2.5 BAR.
- Assembled on "Agro-Stand" with a 1.3 m galvanized steel spike, microtube and connectors.

MODELS:

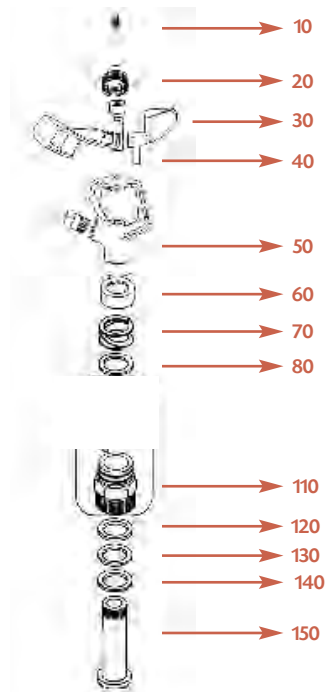
Ref. 002511: Sprinkler of 15° male 1/2"

TABLES & PARTS

Technical guidance table VYR-25 L

| NOZZLE | BAR PSI | Spacing (m) / Precipit. rate (mm/h) Spacing (ft) / Precipit. rate (in/h) | | | | | |
|-------------------|------------|---|-------------------|-------------------|--------------------|--------------------|----------------|
| | | 9x9 T 30x30 | 9x10 T 30x30 T | 9x12 T 33x33 T | 10x10 T 33x33 T | 10x12 T 33x39 T | 12x12 26x39 |
| 2,4 mm 3/32" | 2 | 4,4 | 4 | 3,3 | 3,6 | 3 | 2,5 |
| | 29 | 0,17 | 0,16 | 0,13 | 0,14 | 0,12 | 0,10 |
| | 2,5 | 4,9 | 4,4 | 3,7 | 4 | 3,3 | 2,7 |
| | 36 | 0,19 | 0,17 | 0,15 | 0,16 | 0,13 | 0,11 |
| | 3 | 5,2 | 4,7 | 3,9 | 4,3 | 3,5 | 3 |
| 2,8 mm 7/64" | 44 | 0,20 | 0,19 | 0,15 | 0,17 | 0,14 | 0,12 |
| | 3,5 | 5,6 | 5,1 | 4,2 | 4,6 | 3,8 | 3,2 |
| | 51 | 0,22 | 0,20 | 0,17 | 0,18 | 0,15 | 0,13 |
| | 2 | 5,6 | 5 | 4,2 | 4,5 | 3,8 | 3,1 |
| | 29 | 0,22 | 0,20 | 0,17 | 0,18 | 0,15 | 0,12 |
| 3,2 mm 17/128" | 2,5 | 6,1 | 5,5 | 4,6 | 5 | 4,1 | 3,4 |
| | 36 | 0,24 | 0,22 | 0,18 | 0,20 | 0,16 | 0,13 |
| | 3 | 6,5 | 5,9 | 4,9 | 5,3 | 4,4 | 3,7 |
| | 44 | 0,26 | 0,23 | 0,19 | 0,21 | 0,17 | 0,15 |
| | 3,5 | 7 | 6,3 | 5,3 | 5,7 | 4,8 | 4 |
| 3,6 mm 9/64" | 51 | 0,28 | 0,25 | 0,21 | 0,22 | 0,19 | 0,16 |
| | 2 | 6,8 | 6,1 | 5,1 | 5,5 | 4,6 | 3,8 |
| | 29 | 0,27 | 0,24 | 0,20 | 0,22 | 0,18 | 0,15 |
| | 2,5 | 7,4 | 6,7 | 5,6 | 6 | 5 | 4,2 |
| | 36 | 0,29 | 0,26 | 0,22 | 0,24 | 0,20 | 0,17 |
| 3,6 mm 9/64" | 3 | 8 | 7,2 | 6 | 6,5 | 5,4 | 4,5 |
| | 44 | 0,31 | 0,28 | 0,24 | 0,26 | 0,21 | 0,18 |
| | 3,5 | 8,6 | 7,7 | 6,4 | 7 | 5,8 | 4,8 |
| | 51 | 0,34 | 0,30 | 0,25 | 0,28 | 0,23 | 0,19 |
| | 2 | 7,9 | 7,1 | 5,9 | 6,4 | 5,3 | 4,4 |
| 3,6 mm 9/64" | 29 | 0,31 | 0,28 | 0,23 | 0,25 | 0,21 | 0,17 |
| | 2,5 | 8,7 | 7,8 | 6,5 | 7,0 | 5,9 | 4,9 |
| | 36 | 0,34 | 0,31 | 0,26 | 0,28 | 0,23 | 0,19 |
| | 3 | 9,4 | 8,5 | 7,1 | 7,6 | 6,4 | 5,3 |
| | 44 | 0,37 | 0,33 | 0,28 | 0,30 | 0,25 | 0,21 |
| 3,6 mm 9/64" | 3,5 | 10,1 | 9,1 | 7,6 | 8,2 | 6,8 | 5,7 |
| | 51 | 0,40 | 0,36 | 0,30 | 0,32 | 0,27 | 0,22 |

T: Triang. CU < 85% CU 85-88% CU 88-92% CU > 92%



Performance nozzle table VYR-25 L

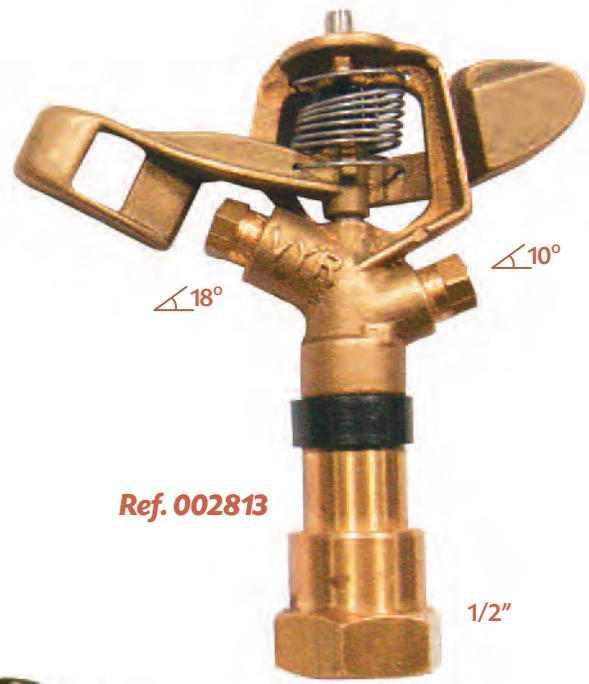
| NOZZLE | 1,6 mm 9/128" | 2 mm 5/64" | 2,4 mm 3/32" | 2,8 mm 7/64" | 3,2 mm 17/128" | 4 mm 5/32" | | | | | | |
|------------|------------------|---------------|-----------------|-----------------|-------------------|---------------|------------|-------------|------------|-------------|------------|-------------|
| BAR PSI | L/H GPH | Ø m Ø ft | L/H GPH | Ø m Ø ft | L/H GPH | Ø m Ø ft | L/H GPH | Ø m Ø ft | L/H GPH | Ø m Ø ft | L/H GPH | Ø m Ø ft |
| 1,5 | 125 | 15 | 260 | 16,5 | 290 | 17,5 | 378 | 19,5 | 480 | 20 | 750 | 20,5 |
| 22 | 33 | 49 | 69 | 54 | 77 | 57 | 100 | 64 | 127 | 66 | 198 | 67 |
| 2 | 140 | 15,5 | 283 | 17 | 310 | 18 | 419 | 20 | 550 | 20 | 850 | 20,5 |
| 29 | 37 | 51 | 75 | 56 | 82 | 59 | 111 | 66 | 145 | 66 | 225 | 67 |
| 2,5 | 150 | 16,5 | 300 | 17 | 350 | 18,5 | 469 | 21 | 600 | 21 | 950 | 22 |
| 36 | 40 | 54 | 79 | 56 | 92 | 61 | 124 | 69 | 159 | 69 | 251 | 72 |
| 3 | 170 | 17 | 336 | 17,5 | 380 | 19 | 513 | 22 | 660 | 22 | 1040 | 23 |
| 44 | 45 | 56 | 89 | 57 | 100 | 62 | 133 | 72 | 174 | 72 | 275 | 75 |
| 3,5 | 180 | 17,5 | 367 | 18 | 410 | 19,5 | 560 | 22,5 | 710 | 22,5 | 1100 | 23,5 |
| 51 | 48 | 57 | 97 | 59 | 108 | 64 | 148 | 74 | 188 | 74 | 291 | 77 |
| 4 | 195 | 18 | 408 | 18,5 | 450 | 20 | 610 | 23 | 760 | 23,5 | 1180 | 24,5 |
| 58 | 52 | 59 | 108 | 61 | 119 | 66 | 161 | 75 | 201 | 77 | 312 | 80 |

Standard Ø: Diameter range

- For optimum distribution avoid use in shady areas.
- Sprinklers will be supplied with standard nozzles unless otherwise specified.
- These results has been obtained at indoor laboratory with 0 m/seg win velocity. Outdoor results may change range distances.



VYR-28



VYR-28 · Full circle AG

GENERAL PROPERTIES:

- A Low flow agricultural impact sprinkler.
- 1/2" male or female connection.
- Made of brass and stainless steel.
- High-resistance rotating joints.
- Nozzle angle of 18° and 10°
- Rotating coupling with protective cover.

TECHNICAL SPECIFICATIONS:

- Range distance: 12 - 15 m / 39 - 50 ft.
- Flow: 240 - 1990 L/H / 64 - 525 GPH.
- Working pressure: 1,7 - 4,5 BAR / 25 - 65 PSI.
- Area: Full circle.
- Nozzles: Two nozzles: one main nozzle and a secondary deflector nozzle.
- Trajectory angles: 18° and 10°
- Maximum stream height: 2,7 m / 9 ft.
- Rotation time: Depending on the pressure and the nozzles, the rotation will be constant and continuous.
- Uniformity coefficient higher than 90% in areas of 11x11R, 12x12T and 13x11T (meters).

APPLICATIONS:

- Low flow and vegetable crops.

MEASUREMENTS:

- Height: 10,5 cm / 4,1 in.
- Width: 10 cm / 3,9 in.
- Weight: 194 g / 0,43 Lbs
- Units per box: 100

OPTIONS:

- Threads in BSP or NPT under demand.
- Self-compensating flow control valves of 2.5 BAR.
- Assembled on "Agro-Stand" with a 1.3 m galvanized steel stpike, microtube and connectors.

MODELS:

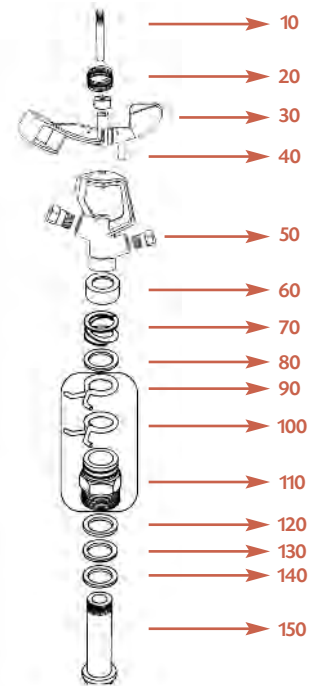
- Ref. 002812: 1/2" male.
- Ref. 002813: 1/2" female.

TABLES & PARTS

Technical guidance table VYR-28

| NOZZLE | Spacing (m) / Precipit. rate (mm/h) Spacing (ft) / Precipit. rate (in/h) | | | | | | |
|-------------------|---|----------------|-------------------|-------------------|--------------------|--------------------|----------------|
| | BAR PSI | 9x9 T 30x30 | 9x10 T 30x33 T | 9x12 T 30x39 T | 10x10 T 33x33 T | 10x12 T 33x39 T | 12x12 39x39 |
| 2,4 mm 3/32" | 2 | 4,4 | 4 | 3,3 | 3,6 | 3 | 2,5 |
| | 29 | 0,17 | 0,16 | 0,13 | 0,14 | 0,12 | 0,10 |
| | 2,5 | 4,9 | 4,4 | 3,7 | 4 | 3,3 | 2,7 |
| | 36 | 0,19 | 0,17 | 0,15 | 0,16 | 0,13 | 0,11 |
| | 3 | 5,2 | 4,7 | 3,9 | 4,3 | 3,5 | 3 |
| | 44 | 0,20 | 0,19 | 0,15 | 0,17 | 0,14 | 0,12 |
| 2,8 mm 7/64" | 2,5 | 5,6 | 5 | 4,2 | 4,5 | 3,8 | 3,1 |
| | 29 | 0,22 | 0,20 | 0,17 | 0,18 | 0,15 | 0,12 |
| | 3,5 | 6,1 | 5,5 | 4,6 | 5 | 4,1 | 3,4 |
| | 36 | 0,24 | 0,22 | 0,18 | 0,20 | 0,16 | 0,13 |
| | 3 | 6,5 | 5,9 | 4,9 | 5,3 | 4,4 | 3,7 |
| | 44 | 0,26 | 0,23 | 0,19 | 0,21 | 0,17 | 0,15 |
| 3,2 mm 17/128" | 3,5 | 7 | 6,3 | 5,3 | 5,7 | 4,8 | 4 |
| | 51 | 0,28 | 0,25 | 0,21 | 0,22 | 0,19 | 0,16 |
| | 2 | 6,8 | 6,1 | 5,1 | 5,5 | 4,6 | 3,8 |
| | 29 | 0,27 | 0,24 | 0,20 | 0,22 | 0,18 | 0,15 |
| | 2,5 | 7,4 | 6,7 | 5,6 | 6 | 5 | 4,2 |
| | 36 | 0,29 | 0,26 | 0,22 | 0,24 | 0,20 | 0,17 |
| 3,5 mm 9/64" | 3 | 8 | 7,2 | 6 | 6,5 | 5,4 | 4,5 |
| | 44 | 0,31 | 0,28 | 0,24 | 0,26 | 0,21 | 0,18 |
| | 3,5 | 8,6 | 7,7 | 6,4 | 7 | 5,8 | 4,8 |
| | 51 | 0,34 | 0,30 | 0,25 | 0,28 | 0,23 | 0,19 |
| | 2 | 7,9 | 7,1 | 5,9 | 6,4 | 5,3 | 4,4 |
| | 29 | 0,31 | 0,28 | 0,23 | 0,25 | 0,21 | 0,17 |
| 3,5 mm 9/64" | 2,5 | 8,7 | 7,8 | 6,5 | 7 | 5,9 | 4,9 |
| | 36 | 0,34 | 0,31 | 0,26 | 0,28 | 0,23 | 0,19 |
| | 3 | 9,4 | 8,5 | 7,1 | 7,6 | 6,4 | 5,3 |
| | 44 | 0,37 | 0,33 | 0,28 | 0,30 | 0,25 | 0,21 |
| | 3,5 | 10,1 | 9,1 | 7,6 | 8,2 | 6,8 | 5,7 |
| | 51 | 0,40 | 0,36 | 0,30 | 0,32 | 0,27 | 0,22 |

T: Triang. CU < 85% CU 85-88% CU 88-92% CU > 92%



Performance nozzle table VYR-28

Estándar Ø: Diameter range

| NOZZLE | 2,4 mm 3/32" | | 2,8 mm 7/64" | | 3 mm 1/8" | | 3,2 mm 17/128" | | 3,5 mm 9/64" | | 4 mm 5/32" | | 4,4 mm 11/64" | |
|------------|-----------------|-------------|-----------------|-------------|--------------|-------------|-------------------|-------------|-----------------|-------------|---------------|-------------|------------------|-------------|
| BAR PSI | L/H GPH | Ø m Ø ft | L/H GPH | Ø m Ø ft | L/H GPH | Ø m Ø ft | L/H GPH | Ø m Ø ft | L/H GPH | Ø m Ø ft | L/H GPH | Ø m Ø ft | L/H GPH | Ø m Ø ft |
| 1 | 240 | 18 | 310 | 19 | 360 | 19 | 400 | 20 | 480 | 20 | 620 | 21 | 760 | 22 |
| 15 | 63 | 59 | 82 | 62 | 95 | 62 | 106 | 66 | 127 | 66 | 164 | 69 | 201 | 72 |
| 1,5 | 300 | 19 | 370 | 19 | 440 | 20 | 480 | 21 | 570 | 21 | 750 | 22 | 910 | 23 |
| 22 | 79 | 62 | 98 | 62 | 116 | 66 | 127 | 69 | 150 | 69 | 198 | 72 | 240 | 75 |
| 2 | 340 | 20 | 420 | 20 | 500 | 21 | 550 | 21 | 660 | 22 | 850 | 23 | 1030 | 24 |
| 29 | 90 | 66 | 111 | 66 | 132 | 69 | 145 | 69 | 174 | 72 | 224 | 75 | 272 | 79 |
| 2,5 | 380 | 21 | 470 | 21 | 560 | 22 | 600 | 22 | 730 | 23 | 950 | 24 | 1150 | 25 |
| 36 | 100 | 69 | 124 | 69 | 148 | 72 | 158 | 72 | 193 | 75 | 251 | 79 | 304 | 82 |
| 3 | 410 | 22 | 520 | 22 | 610 | 23 | 660 | 23 | 800 | 23 | 1040 | 24 | 1270 | 25 |
| 44 | 108 | 72 | 137 | 72 | 161 | 75 | 174 | 75 | 211 | 75 | 275 | 79 | 335 | 82 |
| 3,5 | 450 | 23 | 560 | 23 | 650 | 23 | 710 | 23 | 860 | 24 | 1100 | 25 | 1350 | 26 |
| 51 | 119 | 75 | 148 | 75 | 172 | 75 | 187 | 75 | 227 | 79 | 290 | 82 | 356 | 85 |
| 4 | 480 | 24 | 600 | 24 | 690 | 24 | 760 | 24 | 910 | 25 | 1180 | 26 | 1440 | 27 |
| 58 | 127 | 79 | 158 | 79 | 182 | 79 | 201 | 79 | 240 | 82 | 312 | 85 | 380 | 89 |

| NOZZLE | 2,4 x 1,6 mm 3/32" x 1/16" | | 2,8 x 1,6 mm 7/64" x 1/16" | | 3 x 2 mm 1/8" x 5/64" | | 3,2 x 2 mm 1/8" x 5/64" | | 3,5 x 2 mm 9/64" x 5/64" | | 4 x 2,4 mm 5/32" x 3/32" | | 4,4 x 2,4 mm 11/64" x 3/32" | |
|------------|-------------------------------|-------------|-------------------------------|-------------|--------------------------|-------------|----------------------------|-------------|-----------------------------|-------------|-----------------------------|-------------|--------------------------------|-------------|
| BAR PSI | L/H GPH | Ø m Ø ft | L/H GPH | Ø m Ø ft | L/H GPH | Ø m Ø ft | L/H GPH | Ø m Ø ft | L/H GPH | Ø m Ø ft | L/H GPH | Ø m Ø ft | L/H GPH | Ø m Ø ft |
| 1 | 380 | 18 | 420 | 19 | 610 | 19 | 650 | 20 | 745 | 20 | 950 | 21 | 1090 | 22 |
| 15 | 100 | 59 | 111 | 62 | 161 | 62 | 172 | 66 | 197 | 66 | 251 | 69 | 288 | 72 |
| 1,5 | 425 | 19 | 495 | 19 | 700 | 20 | 740 | 21 | 830 | 21 | 1090 | 22 | 1230 | 23 |
| 22 | 112 | 62 | 131 | 62 | 185 | 66 | 195 | 69 | 219 | 69 | 288 | 72 | 325 | 75 |
| 2 | 480 | 20 | 560 | 20 | 783 | 21 | 830 | 21 | 945 | 22 | 1230 | 23 | 1375 | 24 |
| 29 | 127 | 66 | 148 | 66 | 207 | 69 | 219 | 69 | 249 | 72 | 325 | 75 | 363 | 79 |
| 2,5 | 530 | 21 | 620 | 21 | 860 | 22 | 900 | 22 | 1030 | 23 | 1390 | 24 | 1535 | 25 |
| 36 | 140 | 69 | 164 | 69 | 227 | 72 | 238 | 72 | 272 | 75 | 367 | 79 | 405 | 82 |
| 3 | 580 | 22 | 690 | 22 | 945 | 23 | 995 | 23 | 1135 | 23 | 1535 | 24 | 1715 | 25 |
| 44 | 153 | 72 | 182 | 72 | 249 | 75 | 263 | 75 | 300 | 75 | 405 | 79 | 453 | 82 |
| 3,5 | 630 | 23 | 740 | 23 | 1020 | 23 | 1080 | 23 | 1230 | 24 | 1655 | 25 | 1860 | 26 |
| 51 | 166 | 75 | 195 | 75 | 269 | 75 | 285 | 75 | 375 | 79 | 437 | 82 | 491 | 85 |
| 4 | 675 | 24 | 795 | 24 | 1098 | 24 | 1170 | 24 | 1320 | 25 | 1770 | 26 | 1990 | 27 |
| 58 | 178 | 79 | 210 | 79 | 290 | 79 | 309 | 79 | 348 | 82 | 467 | 85 | 525 | 89 |

- For optimum distribution avoid use in shady areas.
- Sprinklers will be supplied with standard nozzles unless otherwise specified.
- These results has been obtained at indoor laboratory with 0 m/seg win velocity. Outdoor results may change range distances.

VYR-50 AG



VYR-50 AG · Full Circle AG

GENERAL PROPERTIES:

- 1/2" male connection.
- Made of brass and stainless steel.
- High-resistance rotating joints.
- Adjustable deflector plate.
- Irrigation area control system by adjustment of rotating clips.
- Adjustable jet breaker diffuser pin.
- This sprinkler is strong and durable enough to work for years in urban gardens in punishing conditions, such as vandalism and impact from maintenance equipment.

TECHNICAL SPECIFICATIONS:

- Range distance: 9 - 14 m / 30-46 ft.
- Flow: 240 - 1440 L/H / 63 - 380 GPH
- Working pressure: 1 - 4 BAR / 14 - 58 PSI.
- Area: Full or part circle.
- Nozzles: A single-jet nozzle.
- Trajectory angles: 28°
- Maximum stream height: 2,6 m / 8,5 ft.
- Rotation time: Depending on the pressure and the nozzles, the rotation will be constant and continuous.
- Uniformity coefficient higher than 90% in areas of 10x10R, 12x12T and 12x13T (meters).

APPLICATIONS:

- Public and private gardens.
- Horticultural plantations, floriculture and fruit trees.

MEASUREMENTS:

- Height: 13 cm / 5,1 in.
- Width: 12 cm / 4,7 in.
- Weight: 220 g / 0,50 Lbs
- Units per box: 50

OPTIONS:

- Threads in BSP or NPT under demand.
- Special design with a threaded shaft for fitting to the VYR-961 pop-up head.
- Self-compensating flow control valves of 1.5 and 2 BAR
- Assembled on "Agro-Stand" with a 1.3 m galvanized steel spike, microtube and connectors.
- Assembled on a brass, aluminium or plastic spike.
- Assembled on an aluminium round base.

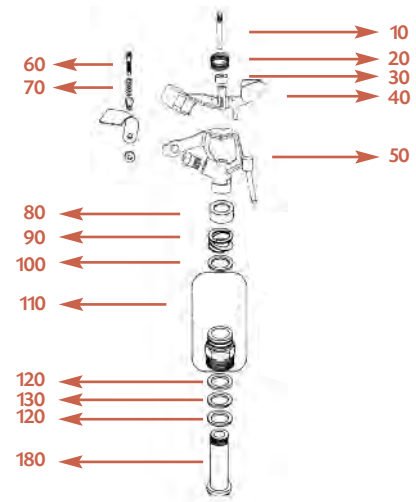
MODELS:

- Ref. 005001: Full circle sprinkler + Deflector + Difuser pin
- Ref. 005002: Full circle sprinkler + Difuser pin
- Ref. 005003: Full circle (without deflector or pin)

TABLES & PARTS

Technical guidance table VYR-50 AG

| NOZZLE | Spacing (m) / Precipit. rate (mm/h) Spacing (ft) / Precipit. rate (in/h) | | | | | | |
|------------------|---|--------------|------------------|---------------|--------------------|--------------------|--------------------|
| | BAR PSI | 9x9 30x30 | 9x9 T 30x30 T | 9x10 33x33 | 10x10 T 33x33 T | 10x12 T 33x39 T | 12x12 T 39x39 T |
| 3,6 mm 9/64" | 2,5 | 9,7 | 9,0 | 7,6 | 7,3 | 6,6 | 5,5 |
| | 36 | 0,38 | 0,35 | 0,31 | 0,28 | 0,21 | 0,20 |
| | 3 | 10,6 | 9,8 | 8,3 | 8,0 | 7,2 | 6,0 |
| 4 mm 5/32" | 44 | 0,41 | 0,38 | 0,33 | 0,31 | 0,23 | 0,21 |
| | 3,5 | 11,5 | 10,6 | 8,9 | 8,6 | 7,8 | 6,5 |
| | 5 | 0,44 | 0,41 | 0,36 | 0,33 | 0,25 | 0,23 |
| 4,4 mm 11/64" | 2,5 | 12,0 | 11,1 | 9,3 | 9,0 | 8,1 | 6,8 |
| | 36 | 0,46 | 0,43 | 0,38 | 0,35 | 0,26 | 0,24 |
| | 3 | 13,1 | 12,1 | 10,2 | 9,8 | 8,9 | 7,4 |
| 4,4 mm 11/64" | 44 | 0,51 | 0,47 | 0,41 | 0,38 | 0,28 | 0,26 |
| | 3,5 | 14,2 | 13,1 | 11,0 | 10,6 | 9,6 | 8,0 |
| | 5 | 0,55 | 0,51 | 0,44 | 0,41 | 0,30 | 0,29 |
| 4,4 mm 11/64" | 2,5 | 14,5 | 13,4 | 11,3 | 10,9 | 9,8 | 8,2 |
| | 36 | 0,56 | 0,52 | 0,46 | 0,42 | 0,31 | 0,29 |
| | 3 | 15,9 | 14,7 | 12,4 | 11,9 | 10,7 | 8,9 |
| 4,4 mm 11/64" | 44 | 0,62 | 0,57 | 0,50 | 0,46 | 0,34 | 0,32 |
| | 3,5 | 17,2 | 15,9 | 13,4 | 12,8 | 11,6 | 9,7 |
| | 5 | 0,67 | 0,6 | 0,54 | 0,50 | 0,37 | 0,35 |



T: Triang. CU < 85% CU 85-88% CU 88-92% CU > 92%

Performance nozzle table VYR-50 AG

| NOZZLE | 2,4 mm 3/32" | | 2,8 mm 7/64" | | 3 mm 1/8" | | 3,2 mm 17/128" | | 3,6 mm 9/64" | | 4 mm 5/32" | | 4,4 mm 11/64" | |
|--------|-----------------|------------|-----------------|------------|--------------|------------|-------------------|------------|-----------------|------------|---------------|------------|------------------|------------|
| | BAR PSI | L/H GPH | Ø m Ø ft | L/H GPH | Ø m Ø ft | L/H GPH | Ø m Ø ft | L/H GPH | Ø m Ø ft | L/H GPH | Ø m Ø ft | L/H GPH | Ø m Ø ft | L/H GPH |
| 1 | 240 | 18 | 310 | 19 | 360 | 19 | 400 | 20 | 480 | 20 | 620 | 21 | 760 | 22 |
| 15 | 63 | 59 | 82 | 62 | 95 | 62 | 106 | 66 | 127 | 66 | 164 | 69 | 201 | 72 |
| 1,5 | 300 | 19 | 370 | 19 | 440 | 20 | 480 | 21 | 570 | 21 | 750 | 22 | 910 | 23 |
| 22 | 79 | 62 | 98 | 62 | 116 | 66 | 127 | 69 | 150 | 69 | 198 | 72 | 240 | 75 |
| 2 | 340 | 20 | 420 | 20 | 500 | 21 | 550 | 21 | 660 | 22 | 850 | 23 | 1030 | 24 |
| 29 | 90 | 66 | 111 | 66 | 132 | 69 | 145 | 69 | 174 | 72 | 224 | 75 | 272 | 79 |
| 2,5 | 380 | 21 | 470 | 21 | 560 | 22 | 600 | 22 | 730 | 23 | 950 | 24 | 1150 | 25 |
| 36 | 100 | 69 | 124 | 69 | 148 | 72 | 158 | 72 | 193 | 75 | 251 | 79 | 304 | 82 |
| 3 | 410 | 22 | 520 | 22 | 610 | 23 | 660 | 23 | 800 | 23 | 1040 | 24 | 1270 | 25 |
| 44 | 108 | 72 | 137 | 72 | 161 | 75 | 174 | 75 | 211 | 75 | 275 | 79 | 335 | 82 |
| 3,5 | 450 | 23 | 560 | 23 | 650 | 23 | 710 | 23 | 860 | 24 | 1100 | 25 | 1350 | 26 |
| 5 | 119 | 75 | 148 | 75 | 172 | 75 | 187 | 75 | 227 | 79 | 290 | 82 | 356 | 85 |
| 4 | 480 | 24 | 600 | 24 | 690 | 24 | 760 | 24 | 910 | 25 | 1180 | 26 | 1440 | 27 |
| 58 | 127 | 79 | 158 | 79 | 182 | 79 | 201 | 79 | 240 | 82 | 312 | 85 | 380 | 89 |

Standard Ø: Diameter range

- For optimum distribution avoid use in shady areas. Only with deflector plate!!!
- Sprinklers will be supplied with standard nozzles unless otherwise specified.
- These results has benn obtained at indoor laboratory with 0 m/seg win velocity. Outdoor results may change range distances.



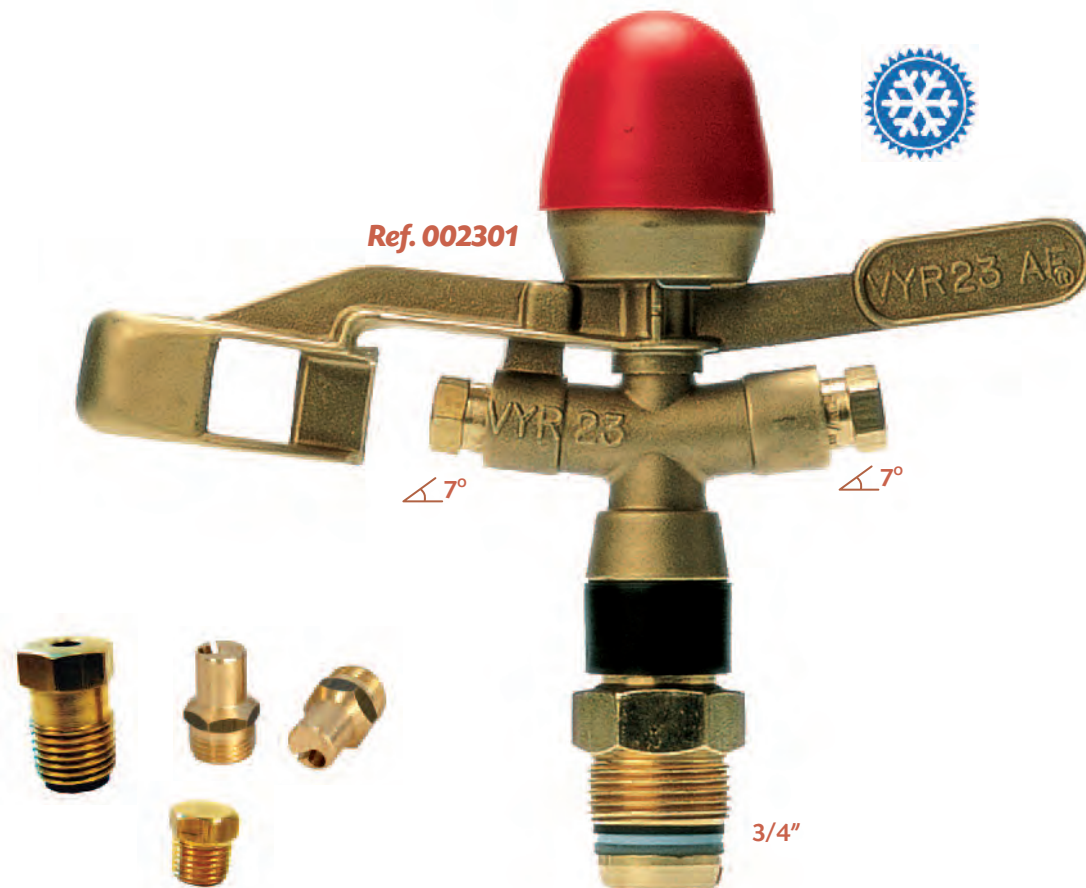




Anti-Frost Irrigation Agricultural Medium Flow

- VYR-23..... Pg. 46
- VYR-33 P..... Pg. 48
- VYR-33..... Pg. 50

VYR-23 Anti-Frost



VYR-23 ANTI-FROST · Full Circle AG

GENERAL PROPERTIES:

- Medium flow and low angle agricultural impact sprinkler.
- ANTI-FROST protection cover with UV sun protector.
- 3/4" male or female connection.
- Made of brass and stainless steel.
- High-resistance rotating joints.
- Nozzle angles of 7° and 7°
- Specially designed to achieve greater reach with Pivots and in windy areas.

TECHNICAL SPECIFICATIONS:

- Range distance: 10 - 13.50 m
- Flow: 660 - 3270 l/h
- Working pressure: 1.7 - 4.5 BAR
- Area: Full circle.
- Nozzles: Two nozzles.
- Trajectory angles: 7° and 7°
- Maximum stream height: 1.2 m
- Rotation time: Depending on the pressure and the nozzles, the rotation will be constant and continuous.

APPLICATIONS:

- Horticultural plantations, cereals, tubers, leguminous plants and fruit trees. Designed to work at a low angle on Pivots, in windy areas and ANTI-FROST conditions.

MEASUREMENTS:

- Height: 15 cm
- Width: 16 cm
- Weight: 450 / 480 g
- Units per box: 50

OPTIONS:

- Threads in BSP or NPT under demand.
- Brass or plastic nozzles, depending on the customer's technical specifications.
- Secondary nozzle similar to the main nozzle.
- Assembled on a pressure regulator for self-compensation of pressure and flow in Pivots and sprinkler lines.

MODELS:

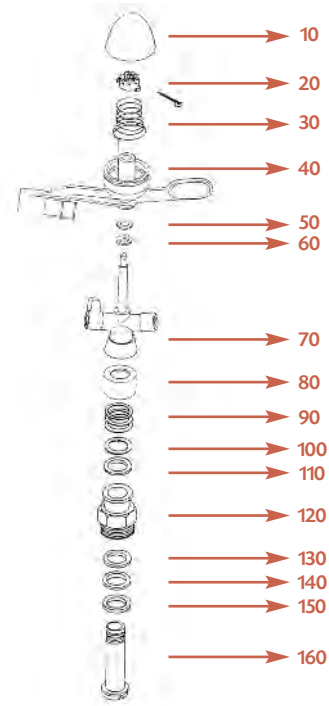
- Ref. 002301: 3/4" male.
- Ref. 002302: 3/4" female.



TABLES & PARTS

Technical guidance table VYR-23

| NOZZLE | BAR PSI | Spacing (m) / Precipit. rate (mm/h) | | | | | |
|----------------------------------|------------|--------------------------------------|---------------|---------------|----------------|----------------|----------------|
| | | Spacing (ft) / Precipit. rate (in/h) | | | | | |
| | | 9x9 30x30 | 9x10 30x33 | 9x12 30x39 | 10x10 33x33 | 10x12 33x39 | 12x12 39x39 |
| 2,4 x 4 mm 3/32" x 5/32" | 3 | 4,4 | 4 | 3,3 | 3,6 | 3 | 2,5 |
| | 44 | 0,17 | 0,16 | 0,13 | 0,14 | 0,12 | 0,10 |
| | 3,5 | 4,9 | 4,4 | 3,7 | 4 | 3,3 | 2,7 |
| | 51 | 0,19 | 0,17 | 0,15 | 0,16 | 0,13 | 0,11 |
| | 4 | 5,2 | 4,7 | 3,9 | 4,3 | 3,5 | 3 |
| 2,4 x 4,4 mm 3/32" x 11/64" | 58 | 0,20 | 0,19 | 0,15 | 0,17 | 0,14 | 0,12 |
| | 5 | 5,6 | 5,1 | 4,2 | 4,6 | 3,8 | 3,2 |
| | 73 | 0,22 | 0,20 | 0,17 | 0,18 | 0,15 | 0,13 |
| | 3 | 5,6 | 5 | 4,2 | 4,5 | 3,8 | 3,1 |
| | 44 | 0,22 | 0,20 | 0,17 | 0,18 | 0,15 | 0,12 |
| 3,2 x 4,8 mm 17/128" x 3/16" | 3,5 | 6,1 | 5,5 | 4,6 | 5 | 4,1 | 3,4 |
| | 51 | 0,24 | 0,22 | 0,18 | 0,20 | 0,16 | 0,13 |
| | 4 | 6,5 | 5,9 | 4,9 | 5,3 | 4,4 | 3,7 |
| | 58 | 0,26 | 0,23 | 0,19 | 0,21 | 0,17 | 0,15 |
| | 5 | 7 | 6,3 | 5,3 | 5,7 | 4,8 | 4 |
| 3,2 x 5,2 mm 17/128" x 13/64" | 73 | 0,28 | 0,25 | 0,21 | 0,22 | 0,19 | 0,16 |
| | 3 | 6,8 | 6,1 | 5,1 | 5,5 | 4,6 | 3,8 |
| | 44 | 0,27 | 0,24 | 0,20 | 0,22 | 0,18 | 0,15 |
| | 3,5 | 7,4 | 6,7 | 5,6 | 6 | 5 | 4,2 |
| | 51 | 0,29 | 0,26 | 0,22 | 0,24 | 0,20 | 0,17 |
| 3,2 x 5,2 mm 17/128" x 13/64" | 4 | 8 | 7,2 | 6 | 6,5 | 5,4 | 4,5 |
| | 58 | 0,31 | 0,28 | 0,24 | 0,26 | 0,21 | 0,18 |
| | 5 | 8,6 | 7,7 | 6,4 | 7 | 5,8 | 4,8 |
| | 73 | 0,34 | 0,30 | 0,25 | 0,28 | 0,23 | 0,19 |
| | 3 | 7,9 | 7,1 | 5,9 | 6,4 | 5,3 | 4,4 |
| 3,2 x 5,2 mm 17/128" x 13/64" | 44 | 0,31 | 0,28 | 0,23 | 0,25 | 0,21 | 0,17 |
| | 3,5 | 8,7 | 7,8 | 6,5 | 7 | 5,9 | 4,9 |
| | 51 | 0,34 | 0,31 | 0,26 | 0,28 | 0,23 | 0,19 |
| | 4 | 9,4 | 8,5 | 7,1 | 7,6 | 6,4 | 5,3 |
| | 58 | 0,37 | 0,33 | 0,28 | 0,30 | 0,25 | 0,21 |
| 3,2 x 5,2 mm 17/128" x 13/64" | 5 | 10,1 | 9,1 | 7,6 | 8,2 | 6,8 | 5,7 |
| | 73 | 0,40 | 0,36 | 0,30 | 0,32 | 0,27 | 0,22 |



T: Triang. CU < 85% CU 85-88% CU 88-92% CU > 92%

Performance nozzle table VYR-23

Long range nozzle (long vane) + short range nozzle

| NOZZLE | 4 x 2,4 mm 5/32 x 3/32" | | 4,4 x 2,4 mm 11/64 x 3/32" | | 4,8 x 2,4 mm 3/16 x 3/32" | | 5,2 x 2,4 mm 13/64" x 3/32" | |
|--------|----------------------------|------------------------|-------------------------------|------------------------|------------------------------|------------------------|--------------------------------|------------------------|
| | BAR PSI | L/H GPH Ø m Ø ft | L/H GPH Ø m Ø ft | L/H GPH Ø m Ø ft | L/H GPH Ø m Ø ft | L/H GPH Ø m Ø ft | L/H GPH Ø m Ø ft | L/H GPH Ø m Ø ft |
| 1,5 | 1019 | 21 | 1177 | 21 | 1349 | 21 | 1536 | 21 |
| 22 | 269 | 69 | 311 | 69 | 356 | 69 | 406 | 69 |
| 2 | 1176 | 22 | 1358 | 22 | 1557 | 23 | 1773 | 21 |
| 29 | 310 | 72 | 359 | 72 | 411 | 75 | 468 | 69 |
| 2,5 | 1315 | 23 | 1519 | 23 | 1741 | 24 | 1983 | 24 |
| 36 | 347 | 75 | 401 | 75 | 460 | 79 | 524 | 79 |
| 3 | 1442 | 25 | 1664 | 25 | 1908 | 26 | 2173 | 26 |
| 44 | 381 | 82 | 439 | 82 | 504 | 85 | 574 | 85 |
| 3,5 | 1557 | 25 | 1797 | 25 | 2060 | 26 | 2346 | 27 |
| 51 | 411 | 82 | 474 | 85 | 544 | 85 | 619 | 89 |
| 4 | 1665 | 26 | 1922 | 26 | 2203 | 26 | 2509 | 28 |
| 58 | 440 | 85 | 507 | 85 | 582 | 85 | 662 | 92 |



- For optimum distribution avoid use in shady areas.
- Sprinklers will be supplied with standard nozzles unless otherwise specified.
- These results has benn obtained at indoor laboratory with 0 m/seg win velocity. Outdoor results may change range distances.

Long range nozzle (long vane) + plug

Standard Ø: Diameter range

| NOZZLE | 3,2 mm 1/8" | 3,6 mm 9/64" | 4 mm 5/32" | 4,4 mm 11/64" | 4,8 mm 3/16" | 5,2 mm 13/64" | 5,5 mm 7/32" | 6 mm 15/64" | 6,3 mm 1/4" | 6,7 mm 17/64" | | | | | | | | | | |
|--------|----------------|------------------------|------------------------|------------------------|------------------------|------------------------|------------------------|------------------------|------------------------|------------------------|------|----|------|------|------|------|------|------|------|------|
| | BAR PSI | L/H GPH Ø m Ø ft | L/H GPH Ø m Ø ft | L/H GPH Ø m Ø ft | L/H GPH Ø m Ø ft | L/H GPH Ø m Ø ft | L/H GPH Ø m Ø ft | L/H GPH Ø m Ø ft | L/H GPH Ø m Ø ft | L/H GPH Ø m Ø ft | | | | | | | | | | |
| 1,5 | 480 | 20 | 570 | 21 | 750 | 22 | 890 | 22 | 1050 | 22 | 1220 | 22 | 1400 | 21 | 1590 | 20,5 | 1790 | 21 | 2010 | 21 |
| 22 | 127 | 69 | 151 | 69 | 198 | 72 | 235 | 72 | 277 | 72 | 322 | 72 | 370 | 69 | 420 | 67 | 473 | 69 | 531 | 69 |
| 2 | 550 | 21 | 660 | 22 | 850 | 23 | 1030 | 23 | 1220 | 23 | 1410 | 23 | 1620 | 22 | 1840 | 22 | 2070 | 22,5 | 2300 | 22,5 |
| 29 | 145 | 69 | 174 | 72 | 225 | 75 | 272 | 75 | 322 | 75 | 372 | 75 | 428 | 72 | 486 | 72 | 547 | 74 | 608 | 74 |
| 2,5 | 600 | 22 | 730 | 23 | 950 | 24 | 1150 | 24 | 1360 | 24 | 1580 | 24 | 1810 | 23 | 2050 | 23 | 2310 | 23 | 2500 | 23,4 |
| 36 | 159 | 72 | 193 | 23 | 251 | 79 | 304 | 79 | 359 | 79 | 417 | 79 | 478 | 75 | 542 | 75 | 610 | 75 | 660 | 77 |
| 3 | 660 | 23 | 800 | 23 | 1040 | 24 | 1260 | 24 | 1490 | 24 | 1730 | 24 | 1980 | 23,4 | 2250 | 23,4 | 2530 | 23,5 | 2800 | 23,6 |
| 44 | 174 | 75 | 211 | 75 | 275 | 79 | 333 | 79 | 394 | 79 | 457 | 79 | 523 | 77 | 594 | 77 | 668 | 77 | 740 | 77 |
| 3,5 | 710 | 23 | 860 | 24 | 1100 | 25 | 1360 | 25 | 1610 | 25 | 1860 | 25 | 2140 | 23,6 | 2430 | 23,5 | 2740 | 23,6 | 3100 | 23,8 |
| 51 | 188 | 75 | 227 | 79 | 291 | 82 | 359 | 82 | 425 | 82 | 491 | 82 | 565 | 77 | 642 | 77 | 724 | 77 | 819 | 7,8 |
| 4 | 760 | 24 | 910 | 25 | 1180 | 26 | 1450 | 26 | 1720 | 26 | 2010 | 26 | 2300 | 24 | 2610 | 23,6 | 2950 | 23,8 | 3400 | 24 |
| 58 | 201 | 79 | 240 | 82 | 312 | 85 | 383 | 85 | 454 | 85 | 531 | 85 | 608 | 79 | 689 | 77 | 779 | 78 | 898 | 79 |

VYR-33 P Anti-Frost



Ref. 003331

25°

30°

3/4"

Ref. 105608

VYR-33 P ANTI-FROST · Full circle AG

GENERAL PROPERTIES:

- Medium flow agricultural impact sprinkler.
- ANTI-FROST protection cover.
- 3/4" male or female connection.
- Made of SPECIAL PLASTIC and stainless steel.
- High-resistance rotating joints.
- Nozzle angles of 25° and 30°
- Special design for ANTI-FROST irrigation using materials resistant to extreme conditions.

TECHNICAL SPECIFICATIONS:

- Range distance: 10 - 13,5 m / 33 - 44 ft.
- Flow: 900 - 2920 L/H / 237 - 770 GPH.
- Working pressure: 2,5 - 5 BAR / 36 - 72 PSI.
- Area: Full circle.
- Nozzles: Two nozzles: one main nozzle and a secondary deflector nozzle or plug.
- Trajectory angles: 25° and 30°
- Maximum stream height: 3,7 m / 12 ft.
- Rotation time: Depending on the pressure and the nozzles, the rotation will be constant and continuous.
- Uniformity coefficient higher than 90% in areas of 17x17R, 18x18T and 19x17T (meters)

APPLICATIONS:

- Horticultural plantations, cereals, tubers, leguminous plants and fruit trees. Designed to work in ANTI-FROST conditions.

MEASUREMENTS:

- Height: 15 cm / 5,9 in.
- Width: 17 cm / 6,7 in.
- Weight: 190 g / 0,42 Lbs.
- Units per box: 50

OPTIONS:

- Threads in BSP or NPT under demand.
- Brass or plastic nozzles, depending on the customer's technical specifications.
- Secondary nozzle with deflector slot or plug.
- Assembled on a pressure regulator for self-compensation of pressure and flow.

MODELS:

Ref. 003331: Sprinkler 3/4" male.

Ref. 003332: Sprinkle 3/4" female brass racord.

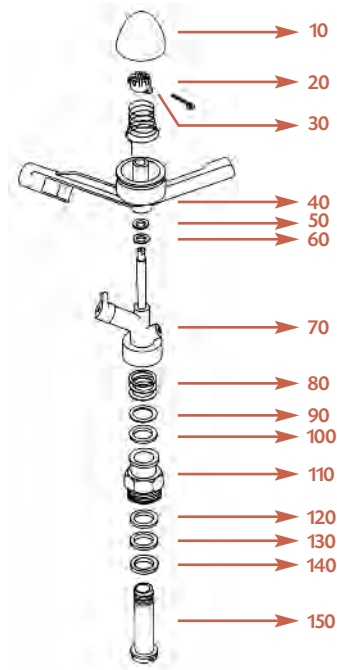
Ref. 105608: Plastic sprinkler racord 3/4" female.

TABLES & PARTS

Technical guidance table VYR-33 P

| NOZZLE | Spacing (m) / Precipit. rate (mm/h) Spacing (ft) / Precipit. rate (in/h) | | | | | |
|------------------------------|---|---------|---------|---------|---------|---------|
| | BAR | 16x18 T | 16x20 T | 18x18 T | 18x20 T | 20x20 T |
| | PSI | 53x59 T | 53x66 T | 59x59 T | 59x66 T | 66x66 T |
| 4 mm 5/32" | 3 | 3,6 | 3,3 | 3,2 | | |
| | 44 | 0,14 | 0,13 | 0,13 | | |
| | 3,5 | 3,9 | 3,5 | 3,5 | 3,1 | |
| | 51 | 0,15 | 0,14 | 0,14 | 0,12 | |
| | 4 | 4,2 | 3,8 | 3,7 | 3,4 | 3 |
| | 58 | 0,17 | 0,15 | 0,15 | 0,13 | 0,12 |
| | 4,5 | 4,5 | 4 | 4 | 3,6 | 3,2 |
| 65 | 0,18 | 0,16 | 0,16 | 0,14 | 0,13 | |
| 5 | 4,7 | 4,2 | 4,2 | 3,8 | 3,4 | |
| 73 | 0,19 | 0,17 | 0,17 | 0,15 | 0,13 | |
| 4,8 mm 3/16" | 3 | 5,2 | 4,7 | 4,7 | 4,2 | |
| | 44 | 0,20 | 0,19 | 0,19 | 0,17 | |
| | 3,5 | 5,7 | 5,1 | 5 | 4,5 | 4,1 |
| | 51 | 0,22 | 0,20 | 0,20 | 0,18 | 0,16 |
| | 4 | 6,1 | 5,4 | 4,5 | 4,8 | 4,4 |
| | 58 | 0,24 | 0,21 | 0,18 | 0,19 | 0,17 |
| | 4,5 | 6,4 | 5,8 | 5,7 | 5,1 | 4,6 |
| 65 | 0,25 | 0,23 | 0,22 | 0,20 | 0,18 | |
| 5 | 6,8 | 6,1 | 6 | 5,4 | 4,9 | |
| 73 | 0,27 | 0,24 | 0,24 | 0,21 | 0,19 | |
| 4,8 x 2,4 mm 3/6" x 3/32" | 3 | 6,5 | 5,9 | 5,8 | 5,2 | 4,7 |
| | 44 | 0,26 | 0,23 | 0,23 | 0,20 | 0,19 |
| | 3,5 | 7,1 | 6,4 | 6,3 | 5,7 | 5,1 |
| | 51 | 0,28 | 0,25 | 0,25 | 0,22 | 0,20 |
| | 4 | 7,6 | 6,8 | 6,7 | 6,1 | 5,4 |
| | 58 | 0,30 | 0,27 | 0,26 | 0,24 | 0,21 |
| | 4,5 | 8 | 7,2 | 7,1 | 6,4 | 5,8 |
| 65 | 0,31 | 0,28 | 0,28 | 0,25 | 0,23 | |
| 5 | 8,5 | 7,6 | 7,5 | 6,8 | 6,1 | |
| 73 | 0,33 | 0,30 | 0,30 | 0,27 | 0,24 | |

T: Triang. CU < 85% CU 85-88% CU 88-92% CU > 92%



Performance nozzle table VYR-33 P

Long range nozzle (long vane) + plug

| NOZZLE | 4 mm 5/32" | | 4,4 mm 11/64" | | 4,8 mm 3/16" | | 5,5 mm 7/32" | |
|--------|---------------|---------------------------|---------------------------|---------------------------|---------------------------|---------------------------|---------------------------|------|
| | BAR PSI | L/H GPH Ø m Ø ft | L/H GPH Ø m Ø ft | L/H GPH Ø m Ø ft | L/H GPH Ø m Ø ft | L/H GPH Ø m Ø ft | L/H GPH Ø m Ø ft | |
| 2 | 900 | 27,5 | 1000 | 28 | 1270 | 30 | 1630 | 31 |
| 29 | 238 | 90 | 264 | 92 | 335 | 98 | 431 | 102 |
| 2,5 | 980 | 28 | 1140 | 29 | 1400 | 31 | 1795 | 32,4 |
| 36 | 259 | 92 | 301 | 95 | 370 | 102 | 474 | 106 |
| 3 | 1065 | 29,5 | 1225 | 30 | 1550 | 32 | 1960 | 33,2 |
| 44 | 281 | 97 | 324 | 98 | 409 | 105 | 518 | 109 |
| 3,5 | 1150 | 30,6 | 1295 | 31,2 | 1630 | 33 | 2095 | 34 |
| 51 | 304 | 100 | 342 | 102 | 431 | 108 | 553 | 112 |
| 4 | 1230 | 31 | 1390 | 32,3 | 1770 | 34 | 2220 | 35,3 |
| 58 | 325 | 102 | 367 | 106 | 468 | 112 | 586 | 116 |
| 4,5 | 1290 | 31,2 | 1445 | 32,5 | 1890 | 34 | 2340 | 36 |
| 65 | 341 | 102 | 382 | 107 | 499 | 112 | 618 | 118 |
| 5 | 1360 | 31,8 | 1510 | 32,5 | 1980 | 34 | 2470 | 36 |
| 73 | 359 | 104 | 399 | 107 | 523 | 112 | 653 | 118 |

Standard Ø: Diameter range

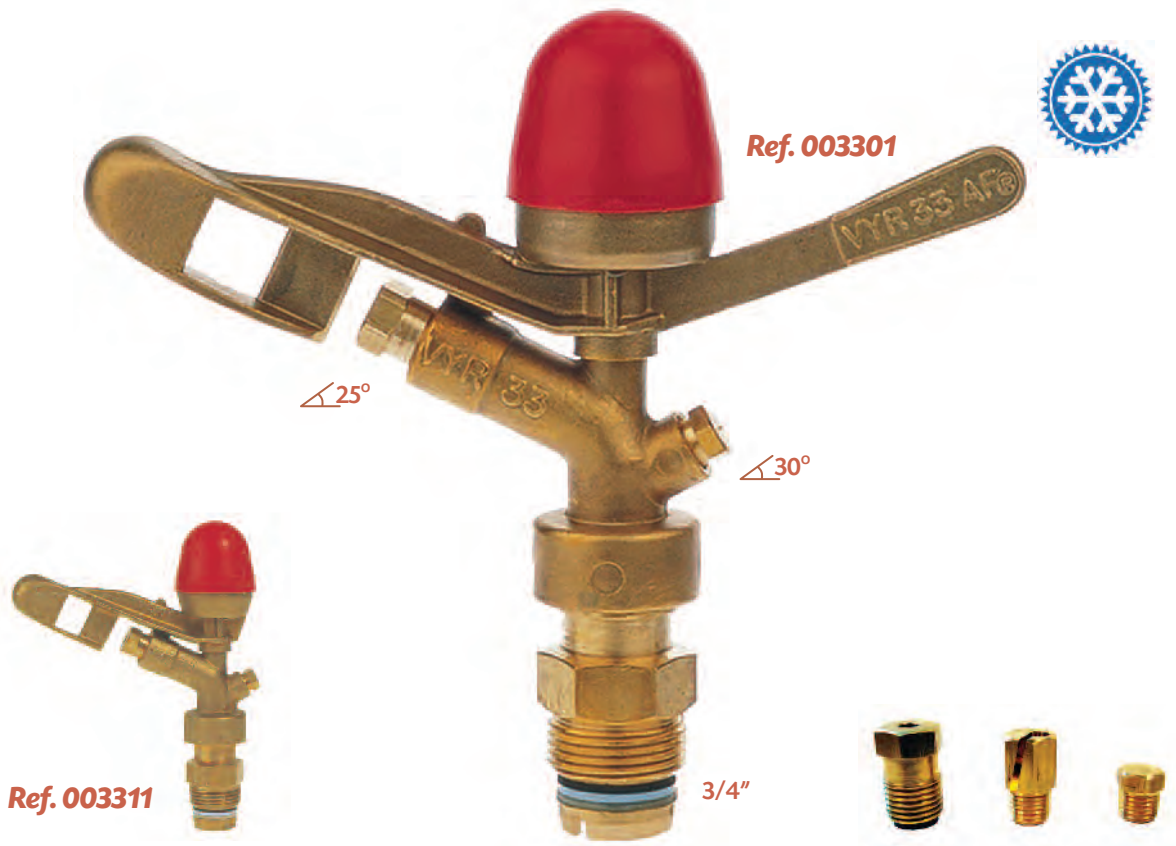
Long range nozzle (long vane) + short range nozzle

| NOZZLE | 4 x 2,4 mm 5/32 x 3/32" | | 4,4 x 2,4 mm 11/64 x 3/32" | | 4,8 x 2,4 mm 3/16 x 3/32" | | 5,5 x 2,4 mm 7/32 x 3/32" | |
|--------|----------------------------|---------------------------|-------------------------------|---------------------------|------------------------------|---------------------------|------------------------------|------|
| | BAR PSI | L/H GPH Ø m Ø ft | L/H GPH Ø m Ø ft | L/H GPH Ø m Ø ft | L/H GPH Ø m Ø ft | L/H GPH Ø m Ø ft | L/H GPH Ø m Ø ft | |
| 2 | 1150 | 27,5 | 1290 | 28 | 1560 | 30 | 1880 | 31 |
| 29 | 304 | 90 | 341 | 92 | 412 | 98 | 497 | 102 |
| 2,5 | 1310 | 28 | 1435 | 29 | 1750 | 31 | 2090 | 32,4 |
| 36 | 346 | 92 | 379 | 95 | 462 | 102 | 552 | 106 |
| 3 | 1420 | 29,5 | 1550 | 30 | 1920 | 32 | 2290 | 33,2 |
| 44 | 375 | 97 | 409 | 98 | 507 | 105 | 605 | 109 |
| 3,5 | 1530 | 30,6 | 1660 | 31,2 | 2050 | 33 | 2460 | 34 |
| 51 | 404 | 100 | 439 | 102 | 542 | 108 | 650 | 112 |
| 4 | 1630 | 31 | 1770 | 32,3 | 2180 | 34 | 2620 | 35,3 |
| 58 | 431 | 102 | 468 | 106 | 576 | 112 | 692 | 116 |
| 4,5 | 1720 | 31,2 | 1870 | 32,5 | 2300 | 34 | 2770 | 36 |
| 65 | 454 | 102 | 494 | 107 | 608 | 112 | 732 | 118 |
| 5 | 1800 | 31,8 | 1970 | 32,5 | 2430 | 34 | 2920 | 36 |
| 73 | 476 | 104 | 520 | 107 | 642 | 112 | 771 | 118 |

Standard Ø: Diameter range

- For optimum distribution avoid use in shady areas.
- Sprinklers will be supplied with standard nozzles unless otherwise specified.
- In order to calculate the flow, add the flows of the two nozzles. The range of the rear nozzle must be less than that of the main nozzle.
- These results has been obtained at indoor laboratory with 0 m/seg win velocity. Outdoor results may change range distances.

VYR-33 Anti-Frost



VYR-33 ANTI-FROST · Full Circle AG

GENERAL PROPERTIES:

- Medium flow agricultural impact sprinkler.
- ANTI-FROST protection cover.
- 3/4" male or female connection.
- Made of brass and stainless steel.
- High-resistance rotating joints.
- Nozzle angles of 25° and 30°
- Special design for ANTI-FROST irrigation using materials resistant to extreme conditions.

TECHNICAL SPECIFICATIONS:

- Range distance: 10 - 13,5 m / 33 - 44 ft.
- Flow: 900 - 2920 L/H / 237 - 770 GPH.
- Working pressure: 2,5 - 5 BAR / 36 - 72 PSI.
- Area: Full circle.
- Nozzles: Two nozzles: one main nozzle and a secondary deflector nozzle or plug.
- Trajectory angles: 25° and 30°
- Maximum stream height: 3.7 m / 12 ft.
- Rotation time: Depending on the pressure and the nozzles, the rotation will be constant and continuous.
- Uniformity coefficient higher than 90% in areas of 17x17R, 18x18T and 19x17T (meters)

APPLICATIONS:

- Horticultural plantations, cereals, tubers, leguminous plants and fruit trees. Designed to work in ANTI-FROST conditions.

MEASUREMENTS:

- Height: 15 cm / 5,9 in.
- Width: 17 cm / 6,7 in.
- Weight: 490 g / 1,1 Lbs.
- Units per box: 50

OPTIONS:

- Threads in BSP or NPT under demand.
- Models with short arm with male or female connection.
- Brass or plastic nozzles, depending on the customer's technical specifications.
- Secondary nozzle with deflector slot or plug.
- Assembled on a pressure regulator for self-compensation of pressure and flow.

MODELS:

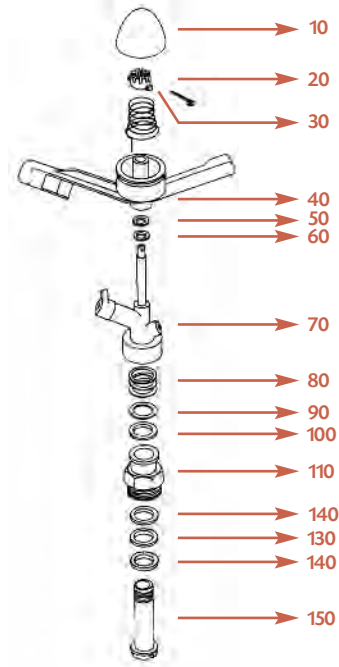
- Ref. 003301:** 3/4" male thread.
- Ref. 003302:** 3/4" female thread.
- Ref. 003311:** 3/4" short arm male thread.
- Ref. 003312:** 3/4" short arm female thread.

TABLES & PARTS

Technical guidance table VYR-33

| NOZZLE | Spacing (m) / Precipit. rate (mm/h) Spacing (ft) / Precipit. rate (in/h) | | | | | |
|-------------------------------|---|---------|---------|---------|---------|---------|
| | BAR PSI | 16x18 T | 16x20 T | 18x18 T | 18x20 T | 20x20 T |
| | | 53x59 T | 53x66 T | 59x59 T | 59x66 T | 66x66 T |
| 4 mm 5/32" | 3 | 3,6 | 3,3 | 3,2 | | |
| | 44 | 0,14 | 0,13 | 0,13 | | |
| | 3,5 | 3,9 | 3,5 | 3,5 | 3,1 | |
| | 51 | 0,15 | 0,14 | 0,14 | 0,12 | |
| | 4 | 4,2 | 3,8 | 3,7 | 3,4 | 3 |
| | 58 | 0,17 | 0,15 | 0,15 | 0,13 | 0,12 |
| | 4,5 | 4,5 | 4 | 4 | 3,6 | 3,2 |
| 65 | 0,18 | 0,16 | 0,16 | 0,14 | 0,13 | |
| 5 | 4,7 | 4,2 | 4,2 | 3,8 | 3,4 | |
| 73 | 0,19 | 0,17 | 0,17 | 0,15 | 0,13 | |
| 4,8 mm 3/16" | 3 | 5,2 | 4,7 | 4,7 | 4,2 | |
| | 44 | 0,20 | 0,19 | 0,19 | 0,17 | |
| | 3,5 | 5,7 | 5,1 | 5 | 4,5 | 4,1 |
| | 51 | 0,22 | 0,20 | 0,20 | 0,18 | 0,16 |
| | 4 | 6,1 | 5,4 | 4,5 | 4,8 | 4,4 |
| | 58 | 0,24 | 0,21 | 0,18 | 0,19 | 0,17 |
| | 4,5 | 6,4 | 5,8 | 5,7 | 5,1 | 4,6 |
| 65 | 0,25 | 0,23 | 0,22 | 0,20 | 0,18 | |
| 5 | 6,8 | 6,1 | 6 | 5,4 | 4,9 | |
| 73 | 0,27 | 0,24 | 0,24 | 0,21 | 0,19 | |
| 4,8 x 2,4 mm 3/16" x 3/32" | 3 | 6,5 | 5,9 | 5,8 | 5,2 | 4,7 |
| | 44 | 0,26 | 0,23 | 0,23 | 0,20 | 0,19 |
| | 3,5 | 7,1 | 6,4 | 6,3 | 5,7 | 5,1 |
| | 51 | 0,28 | 0,25 | 0,25 | 0,22 | 0,20 |
| | 4 | 7,6 | 6,8 | 6,7 | 6,1 | 5,4 |
| | 58 | 0,30 | 0,27 | 0,26 | 0,24 | 0,21 |
| | 4,5 | 8 | 7,2 | 7,1 | 6,4 | 5,8 |
| 65 | 0,31 | 0,28 | 0,28 | 0,25 | 0,23 | |
| 5 | 8,5 | 7,6 | 7,5 | 6,8 | 6,1 | |
| 73 | 0,33 | 0,30 | 0,30 | 0,27 | 0,24 | |

T: Triang. CU < 85% CU 85-88% CU 88-92% CU > 92%



Performance nozzle table VYR-33

Long range nozzle (long vane) + plug

| NOZZLE | 4 mm 5/32" | | 4,4 mm 11/64" | | 4,8 mm 3/16" | | 5,5 mm 7/32" | | |
|--------|---------------|------------|------------------|------------|-----------------|------------|-----------------|------------|-------------|
| | BAR PSI | L/H GPH | Ø m Ø ft | L/H GPH | Ø m Ø ft | L/H GPH | Ø m Ø ft | L/H GPH | Ø m Ø ft |
| | | 2 | 900 | 27,5 | 1000 | 28 | 1270 | 30 | 1630 |
| 29 | 238 | 90 | 264 | 92 | 335 | 98 | 431 | 102 | |
| 2,5 | 980 | 28 | 1140 | 29 | 1400 | 31 | 1795 | 32,4 | |
| 36 | 259 | 92 | 301 | 95 | 370 | 102 | 474 | 106 | |
| 3 | 1065 | 29,5 | 1225 | 30 | 1550 | 32 | 1960 | 33,2 | |
| 44 | 281 | 97 | 324 | 98 | 409 | 105 | 518 | 109 | |
| 3,5 | 1150 | 30,6 | 1295 | 31,2 | 1630 | 33 | 2095 | 34 | |
| 51 | 304 | 100 | 342 | 102 | 431 | 108 | 553 | 112 | |
| 4 | 1230 | 31 | 1390 | 32,3 | 1770 | 34 | 2220 | 35,3 | |
| 58 | 325 | 102 | 367 | 106 | 468 | 112 | 586 | 116 | |
| 4,5 | 1290 | 31,2 | 1445 | 32,5 | 1890 | 34 | 2340 | 36 | |
| 65 | 341 | 102 | 382 | 107 | 499 | 112 | 618 | 118 | |
| 5 | 1360 | 31,8 | 1510 | 32,5 | 1980 | 34 | 2470 | 36 | |
| 73 | 359 | 104 | 399 | 107 | 523 | 112 | 653 | 118 | |

Standard Ø: Diameter range

Long range nozzle (long vane) + short range nozzle

| NOZZLE | 4 x 2,4 mm 5/32 x 3/32" | | 4,4 x 2,4 mm 11/64 x 3/32" | | 4,8 x 2,4 mm 3/16 x 3/32" | | 5,5 x 2,4 mm 7/32 x 3/32" | | |
|--------|----------------------------|------------|-------------------------------|------------|------------------------------|------------|------------------------------|------------|-------------|
| | BAR PSI | L/H GPH | Ø m Ø ft | L/H GPH | Ø m Ø ft | L/H GPH | Ø m Ø ft | L/H GPH | Ø m Ø ft |
| | | 2 | 1150 | 27,5 | 1290 | 28 | 1560 | 30 | 1880 |
| 29 | 304 | 90 | 341 | 92 | 412 | 98 | 497 | 102 | |
| 2,5 | 1310 | 28 | 1435 | 29 | 1750 | 31 | 2090 | 32,4 | |
| 36 | 346 | 92 | 379 | 95 | 462 | 102 | 552 | 106 | |
| 3 | 1420 | 29,5 | 1550 | 30 | 1920 | 32 | 2290 | 33,2 | |
| 44 | 375 | 97 | 409 | 98 | 507 | 105 | 605 | 109 | |
| 3,5 | 1530 | 30,6 | 1660 | 31,2 | 2050 | 33 | 2460 | 34 | |
| 51 | 404 | 100 | 439 | 102 | 542 | 108 | 650 | 112 | |
| 4 | 1630 | 31 | 1770 | 32,3 | 2180 | 34 | 2620 | 35,3 | |
| 58 | 431 | 102 | 468 | 106 | 576 | 112 | 692 | 116 | |
| 4,5 | 1720 | 31,2 | 1870 | 32,5 | 2300 | 34 | 2770 | 36 | |
| 65 | 454 | 102 | 494 | 107 | 608 | 112 | 732 | 118 | |
| 5 | 1800 | 31,8 | 1970 | 32,5 | 2430 | 34 | 2920 | 36 | |
| 73 | 476 | 104 | 520 | 107 | 642 | 112 | 771 | 118 | |

Standard Ø: Diameter range

- For optimum distribution avoid use in shady areas.
- Sprinklers will be supplied with standard nozzles unless otherwise specified.
- In order to calculate the flow, add the flows of the two nozzles. The range of the rear nozzle must be less than that of the main nozzle.
- These results has been obtained at indoor laboratory with 0 m/seg win velocity. Outdoor results may change range distances.

Frost-protection irrigation

The sprinkler irrigation coverage method is the most efficient and reliable existing anti-freeze irrigation system. The **VYR-33** is the most widely used sprinkler and most versatile in the use of anti-frost irrigation.

The special physical and technical equipment and issuers are also special anti-frost irrigation, with materials like brass, steel and high strength plastics. Issuers are prepared to work with higher pressures than common sprinklers and they have protections in their torsion springs and rotary joints that these are never blocked by ice or other foreign matter.

The VYR-33 has these features that define a sprayer and also anti-freeze is justified in his long experience in the market. The solidity and robustness of VYR-33 together with the high quality of materials that has made us offer required confidence to use this model in a process as delicate as this in which their crops depend on proper functioning of this model.

Sprinkler irrigation with frost-protection coverage on the foliage of plants is the most widely used because this system best suited to most crops. The ice layer is produced on the flower in the future will yield the fruit is both protected by a layer of ice, thereby maintaining the latent heat from inside the plant and not allowing the cells are damaged wall of the flower, stem and / or fruit. Furthermore, the whole tree irrigation is unique in that through the formation of this layer of ice on the flower, while also protecting the pollen that bees need for the process of pollination. This is very important to always use the correct pressure, rather high, getting a very small drop. This small drop would not damage the flowers and also help faster freezing.

In most cases, damage caused by frost can be prevented by spraying the crops with water during periods of frost. Sprinkler irrigation on plant foliage is one of the most effective methods of preventing damage to delicate crops.

HOW IRRIGATION FOR FROST PROTECTION WORKS

This method is based on three factors:

1. Latent heat is released as water freezes. This latent heat prevents the temperature of the plants from dropping below the freezing point.
2. A mixture of ice and water exposed to below-freezing conditions stays around 0°C until it is completely frozen.
3. Plant sap is not pure water; therefore plants have a lower freezing point than 0°C (32°F). Most plants do not get damaged by frost until temperatures drop well below freezing.

IMPORTANT CONSIDERATIONS

Sprinkler rotation speed:

In order to maintain a stable temperature the sprinkler must rotate quickly. The sprinkler must complete a rotation in less than 30 seconds in order to be deemed quick enough (the ideal rotation speed is normally between 30 and 40 seconds).

Water application level:

The volume of water in relation to its application rate is one of the most important considerations when designing a frost protection irrigation system. The application rate is calculated after considering several factors, such as temperature, wind speed and humidity levels (see the table with minimum precipitation levels).

Wind can affect evaporation levels as well as uniformity, resulting in more water having to be applied in order to provide the same protection as in the absence of wind.

Uniformity:

An effective frost protection system depends on how the sprinkler distributes the water.

You must pay special attention when evaluating the spacing between sprinklers, operational pressures and conditions. An acceptable design should result in a Uniformity Coefficient equal to or greater than 84% and a Distribution Uniformity equal to or greater than 75%.

ADDITIONAL CONSIDERATIONS

Prolonged periods of frost and the application of frost protection irrigation may result in a significant accumulation of ice on the plants. The irrigation system should generally be started at around 2°C to prevent water from freezing inside the pipes.

SPECIFIC FROST PROTECTION

The reason for using specific frost protection is to reduce the protected area to just the plant crop. This allows the system to operate with reduced flow and pressure, saving you water and money.

CONCLUSIONS

A delicate crop can be destroyed by frost in just one night. The use of advanced irrigation systems for frost protection is an effective method for protecting your investment. Nevertheless, the correct design and use of these systems is very important for satisfactory results.

| Minimum applications levels (fruit trees) | | | | | |
|---|---------|---------|---------|---------|---------|
| Approx. minimum temperature (°C) | -3 a -4 | -4 a -5 | -5 a -6 | -6 a -7 | -7 a -8 |
| Application rate (mm/h) | 2.5 | 3 | 3.8 | 4.6 | 6.4 |



Sprinklers **for Pivot irrigation**

- VYR-3300 PIVOT SPRAYER..... Pg. 54
- VYR-3400 TURBÓ-ROTEC..... Pg. 56
- VYR-46..... Pg. 58
- VYR-19 PRESSURE REGULATORS..... Pg. 60
- VYR-160 / 144 / 100 GRILLO..... Pg. 61

VYR-3300 Pivot Sprayer



GENERAL PROPERTIES:

- Modular diffuser sprinkler for inverted irrigation.
- Body made of POM male connection to 3/4 "
- EZ-FIT nozzle bodies, comprising an inner nozzle and a bayonet attachment.
- Diffuser plates with 6 different designs and angles for a uniform circular irrigation.
- Seal in thread included.



| | TYPE OF PLATE | PROPERTIES | PRESSURE | ASSEMBLY | DIAMETER RANGE |
|--|--|---|--------------------------------|--------------------------|----------------|
| | PEPG fluted plate thick flat | <ul style="list-style-type: none"> • Color: green. • Less number of jets and larger drops to reduce evapotranspiration. | 20 PSI 14 mca | OVER PIPE | 5,3 a 16,5 |
| | PETG fluted plate triangular thick | <ul style="list-style-type: none"> • Color: grey. • It produces jets with different scopes and sizes of drops, for a better water distribution and a lower application rate. | 15 to 20 PSI 10,5 to 14 mca | OVER PIPE | 6,5 a 19,0 |
| | PEPF fluted plate flat fine | <ul style="list-style-type: none"> • Color: black. • 34 flat jets, medium drops, less drift and evapotranspiration between thin plates with good reach and water distribution. | 10 to 20 PSI 7 to 14 mca | OVER PIPE OR PENDULAR | 5,2 a 13,8 |
| | PECF fluted plate thin concave | <ul style="list-style-type: none"> • Color: blue. • 36 concave jets, fine drops with good irrigation radius due to their exit angle. Good distribution of water, but with restrictions for use in conditions of strong winds. | 10 to 20 PSI 7 to 14 mca | PENDULAR | 5,3 a 14,1 |
| | PECVF fluted plate thin concave | <ul style="list-style-type: none"> • Color: white. • 36 convex jets, fine drops, less range than the PECF with less drift. Good distribution of water | 10 to 20 PSI 7 to 14 mca | PENDULAR | 5,1 a 13,1 |
| | PLPL flat smooth plate | <ul style="list-style-type: none"> • Color: purple. • Very fine drops, used in very sensitive crops. Higher drift, evapotranspiration and shorter range. Not recommended in conditions of medium / strong winds. | 10 to 20 PSI 17 to 14 mca | PENDULAR | 5,0 a 12,9 |



PLATES AND NOZZLES - Pivot Irrigation Accesories

GENERAL PROPERTIES:

- Modular sprinklers for inverted irrigation.
- Body made of nylon with a male thread of 3/4 "
- EZ-FIT nozzle bodies, comprising an inner nozzle and a bayonet attachment.
- 36 different possible COMBINATIONS of nozzles.
- 6 fixed diffuser plate models with different designs and angles for a uniform circular irrigation.
- 2 models of rotating plates with silicone brake motor.
- Seal in thread included.
- Diameter of coverage varies between 5 and 9 meters.

APPLICATIONS:

- Diffuser for irrigation in PIVOT, RANGER or irrigation machines with similar characteristics.
- Irrigation in greenhouses.

MODELS:

Ref. 330001: Sprinkler body 3/4" male.
 Ref.330008: Silicon rotational motor.

Ref. 330010: Violet plate.
 Ref. 330011: White plate
 Ref. 330012: Grey plate.
 Ref. 330013: Green plate.
 Ref. 330014: Blue plate.
 Ref. 330015: Black plate.

Ref. 330030: Nozzle vane Violet .
 Ref. 330031: Nozzle vane Black .
 Ref. 330032: Nozzle vane Green .
 Ref. 330033: Nozzle vane Red .
 Ref. 330034: Nozzle vane Grey .
 Ref. 330035: Nozzle vane Blue .
 Ref. 330036: Nozzle vane Yellow.
 Ref. 330037: Nozzle vane Orange.
 Ref. 330038: Nozzle vane Brown.

NOZZLES: Look for color and references on next table on this page.



TABLES & PARTS

| Vane | nozzle colour | | ø nominal size (mm) in | | working pressure | | | | | | | | | |
|--------|---------------|--------|---------------------------|---------|------------------|-------|----------|--------|--------|--------|--------|--------|--------|--------|
| | nozzle colour | REF. | | | 7 mca | | 10,5 mca | | 14 mca | | 21 mca | | 28 mca | |
| | | | m³/h | GPH | m³/h | GPH | m³/h | GPH | m³/h | GPH | m³/h | GPH | | |
| PURPLE | purple | 104001 | 1,8 | 1/16" | 0,11 | 29,0 | 0,13 | 34,3 | 0,15 | 39,6 | 0,18 | 47,5 | 0,21 | 55,4 |
| | green | 104002 | 2 | 5/64" | 0,13 | 34,3 | 0,16 | 42,2 | 0,18 | 47,5 | 0,22 | 58,1 | 0,25 | 66,0 |
| | red | 104003 | 2,2 | 11/128" | 0,15 | 39,6 | 0,19 | 50,2 | 0,22 | 58,1 | 0,26 | 68,6 | 0,30 | 79,2 |
| | grey | 104004 | 2,4 | 3/32" | 0,18 | 47,5 | 0,22 | 58,1 | 0,26 | 68,6 | 0,31 | 81,8 | 0,36 | 95,0 |
| | blue | 104005 | 2,6 | 13/128" | 0,22 | 58,1 | 0,26 | 68,6 | 0,30 | 79,2 | 0,36 | 95,0 | 0,42 | 110,9 |
| | yellow | 104006 | 2,8 | 7/64" | 0,25 | 66,0 | 0,31 | 81,8 | 0,35 | 92,4 | 0,42 | 110,9 | 0,49 | 129,4 |
| BLACK | green | 104012 | 3 | 15/128" | 0,29 | 76,6 | 0,35 | 92,4 | 0,40 | 105,6 | 0,48 | 126,7 | 0,56 | 147,8 |
| | red | 104013 | 3,2 | 1/8" | 0,33 | 87,1 | 0,40 | 105,6 | 0,46 | 121,4 | 0,55 | 145,2 | 0,64 | 169,0 |
| | grey | 104014 | 3,4 | 17/128" | 0,37 | 97,7 | 0,45 | 118,8 | 0,51 | 134,6 | 0,62 | 163,7 | 0,72 | 190,1 |
| | blue | 104015 | 3,6 | 9/64" | 0,41 | 108,2 | 0,50 | 132,0 | 0,57 | 150,5 | 0,69 | 182,2 | 0,80 | 211,2 |
| | yellow | 104016 | 3,8 | 19/128" | 0,46 | 121,4 | 0,56 | 147,8 | 0,64 | 169,0 | 0,77 | 203,3 | 0,90 | 237,6 |
| GREEN | green | 104022 | 4 | 5/32" | 0,51 | 134,6 | 0,62 | 163,7 | 0,71 | 187,4 | 0,85 | 224,4 | 0,99 | 261,4 |
| | red | 104023 | 4,2 | 21/128" | 0,56 | 147,8 | 0,68 | 179,5 | 0,78 | 205,9 | 0,94 | 248,2 | 1,09 | 287,8 |
| | grey | 104024 | 4,4 | 11/64" | 0,61 | 161,0 | 0,75 | 198,0 | 0,85 | 224,4 | 1,05 | 277,2 | 1,20 | 316,8 |
| | blue | 104025 | 4,6 | 23/128" | 0,66 | 174,2 | 0,82 | 216,5 | 0,93 | 245,5 | 1,14 | 301,0 | 1,31 | 345,8 |
| | yellow | 104026 | 4,8 | 3/16" | 0,73 | 192,7 | 0,89 | 235,0 | 1,01 | 266,6 | 1,24 | 327,4 | 1,42 | 374,9 |
| RED | green | 104032 | 5 | 13/64" | 0,79 | 208,6 | 0,96 | 253,4 | 1,11 | 293,0 | 1,33 | 351,1 | 1,55 | 409,2 |
| | red | 104033 | 5,2 | 27/128" | 0,85 | 224,4 | 1,04 | 274,6 | 1,19 | 314,2 | 1,44 | 380,2 | 1,67 | 440,9 |
| | grey | 104034 | 5,4 | 7/32" | 0,92 | 242,9 | 1,12 | 295,7 | 1,29 | 340,6 | 1,56 | 411,8 | 1,79 | 472,6 |
| | blue | 104035 | 5,6 | 29/128" | 0,99 | 261,4 | 1,21 | 319,4 | 1,37 | 361,7 | 1,67 | 440,9 | 1,94 | 512,2 |
| | yellow | 104036 | 5,8 | 15/64" | 1,06 | 279,8 | 1,30 | 343,2 | 1,47 | 388,1 | 1,79 | 472,6 | 2,08 | 549,1 |
| GREY | green | 104042 | 6 | 31/128" | 1,16 | 306,2 | 1,37 | 361,7 | 1,57 | 414,5 | 1,93 | 509,5 | 2,23 | 588,7 |
| | red | 104043 | 6,2 | 1/4" | 1,24 | 327,4 | 1,47 | 388,1 | 1,69 | 446,2 | 2,05 | 541,2 | 2,39 | 631,0 |
| | grey | 104044 | 6,4 | 33/128" | 1,31 | 345,8 | 1,56 | 411,8 | 1,79 | 472,6 | 2,20 | 580,8 | 2,57 | 678,5 |
| | blue | 104045 | 6,6 | 17/64" | 1,39 | 367,0 | 1,66 | 438,2 | 1,90 | 501,6 | 2,34 | 617,8 | 2,70 | 712,8 |
| | yellow | 104046 | 6,8 | 25/128" | 1,48 | 390,7 | 1,76 | 464,6 | 2,03 | 535,9 | 2,49 | 657,4 | 2,88 | 760,3 |
| BLUE | green | 104052 | 7 | 9/32" | 1,57 | 414,5 | 1,87 | 493,7 | 2,16 | 570,2 | 2,63 | 694,3 | 3,06 | 807,8 |
| | red | 104053 | 7,2 | 37/128" | 1,66 | 438,2 | 1,98 | 522,7 | 2,29 | 604,6 | 2,78 | 733,9 | 3,24 | 855,4 |
| | grey | 104054 | 7,4 | 19/64" | 1,75 | 462,0 | 2,09 | 551,8 | 2,43 | 641,5 | 2,99 | 789,4 | 3,45 | 910,8 |
| | blue | 104055 | 7,6 | 39/128" | 1,84 | 485,8 | 2,20 | 580,8 | 2,53 | 667,9 | 3,10 | 818,4 | 3,55 | 937,2 |
| | yellow | 104056 | 7,8 | 5/16" | 1,93 | 509,5 | 2,32 | 612,5 | 2,68 | 707,5 | 3,25 | 858,0 | 3,76 | 992,6 |
| YELLOW | green | 104052 | 8 | 41/128" | 2,05 | 541,2 | 2,44 | 644,2 | 2,85 | 752,4 | 3,45 | 910,8 | 3,94 | 1040,2 |
| | red | 104053 | 8,4 | 43/128" | 2,26 | 596,6 | 2,69 | 710,2 | 3,15 | 831,6 | 3,82 | 1008,5 | 4,38 | 1156,3 |
| | grey | 104054 | 8,8 | 45/128" | 2,50 | 660,0 | 2,95 | 778,8 | 3,44 | 908,2 | 4,16 | 1098,2 | 4,80 | 1267,2 |
| | blue | 104055 | 9,2 | 47/128" | 2,73 | 720,7 | 3,23 | 852,7 | 3,78 | 997,9 | 4,56 | 1203,8 | 5,25 | 1386,0 |
| | yellow | 104056 | 9,6 | 49/128" | 2,97 | 784,1 | 3,51 | 926,6 | 4,12 | 1087,7 | 5,02 | 1325,3 | 5,70 | 1504,8 |
| ORANGE | no nozzle | | 10 | 51/128" | 3,15 | 831,6 | 3,85 | 1016,4 | 4,45 | 1174,8 | 5,39 | 1423,0 | 6,18 | 1631,5 |
| BROWN | no nozzle | | 10,4 | 53/128" | 3,40 | 897,6 | 4,17 | 1100,9 | 4,81 | 1269,8 | 5,83 | 1539,1 | 6,69 | 1766,2 |

VYR-3400 Turbo-Rotec



VYR-3400 TURBO-ROTEC · Full Circle for PIVOT

GENERAL PROPERTIES:

- Modular rotary sprinkler for inverted irrigation.
- Body manufactured in POM with male connection to 3/4"
- EZ-FIT nozzle holder system, consisting of an interior nozzle and an anchoring bayonet.
- 4 static diffuser plates with different designs and angles for a uniform circular irrigation.
- High strength rotating joints.
- Nozzles in codes of different colors.
- Irrigation bow: 360°
- Brake technology with silicone.

TECHNICAL SPECIFICATIONS:

- Range: 0.4 - 8.5 m
- Flow: 110 - 7770 L/H. Optional auto compensation!
- Working pressure: 1,2 - 3 BAR
- Nozzles: Bayonet with codes of different colors.
- Nozzle angle: Depends on plate.
- Maximum jet height: 0.3 m

APPLICATIONS :

- This low flow sprinkler is ideal for irrigation in areas with low pressure and flow. Its long-range design "wind cutter" makes the spacing between sprinklers can be up to 8 m.

MEASUREMENTS :

- Height: 6.5 cm
- Width: 8.0 cm
- Weight: 24 g
- Units per box: 200

MODELS:

- Ref. 003400: TURBO-ROTEC motor GREY, 3/4" M (no plate).
- Ref. 003401: TURBO-ROTEC motor BLACK, 3/4" M (no plate).

- Ref. 003420: RED PLATE, fluted under plane.
- Ref. 003421: YELLOW PLATE, thick triangular flute.
- Ref. 003422: ORANGE PLATE, thin flat fluted. (low press.)
- Ref. 003423: GREEN PLATE, fluted under plane (low press.)


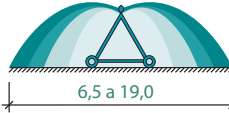
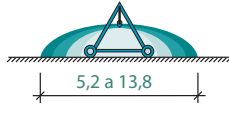
- Ref. 003430: Nozzle stand 3/4", 10 mm. PURPLE
- Ref. 003431: Nozzle stand 3/4", 10 mm. BLACK
- Ref. 003432: Nozzle stand 3/4", 10 mm. GREEN
- Ref. 003433: Nozzle stand 3/4", 10 mm. RED
- Ref. 003434: Nozzle stand 3/4", 10 mm. GREY
- Ref. 003435: Nozzle stand 3/4", 10 mm. BLUE
- Ref. 003436: Nozzle stand 3/4", 10 mm. YELLOW
- Ref. 003437: Nozzle stand 3/4", 10 mm. ORANGE
- Ref. 003438: Nozzle stand 3/4", 10 mm. BROWN










- Ref. 003440: Vane PURPLE
- Ref. 003441: Vane BLACK
- Ref. 003442: Vane GREEN
- Ref. 003443: Vane RED
- Ref. 003444: Vane GREY
- Ref. 003445: Vane BLUE
- Ref. 003446: Vane YELLOW
- Ref. 003447: Vane ORANGE
- Ref. 003448: Vane BROWN

NOZZLES: Look at next page for references.



TABLES & PARTS

| TYPE OF PLATE | PROPERTIES | PRESSURE | ASSEMBLY | DIAMETER RANGE |
|--|--|--------------------------------|--------------------------|---|
| PEPG fluted plate thick flat | <ul style="list-style-type: none"> Color: green. Less number of jets and larger drops to reduce evapotranspiration. | 20 PSI 14 mca | OVER PIPE |  5,3 a 16,5 |
| PETG fluted plate triangular thick | <ul style="list-style-type: none"> Color: grey. It produces jets with different scopes and sizes of drops, for a better water distribution and a lower application rate. | 15 to 20 PSI 10,5 to 14 mca | OVER PIPE |  6,5 a 19,0 |
| PEPF fluted plate flat fine | <ul style="list-style-type: none"> Color: black. 34 flat jets, medium drops, less drift and evapotranspiration between thin plates with good reach and water distribution. | 10 to 20 PSI 7 to 14 mca | OVER PIPE OR PENDULAR |  5,2 a 13,8 |

| Vane | nozzle colour | | nozzle REF. | ø nominal size (mm) in | | working pressure | | | | | | | | | | | |
|--|---------------|-----------|----------------|------------------------------|---------|------------------|-------|--------|--------|--------|--------|--------|--------|--------|--------|--|--|
| | colour | REF. | | 7 mca | | 10,5 mca | | 14 mca | | 21 mca | | 28 mca | | | | | |
| | | | | m³/h | GPH | m³/h | GPH | m³/h | GPH | m³/h | GPH | m³/h | GPH | | | | |
|  | purple | 104001 | 1,8 | 1/16" | 0,11 | 29,0 | 0,13 | 34,3 | 0,15 | 39,6 | 0,18 | 47,5 | 0,21 | 55,4 | | | |
| | green | 104002 | 2 | 5/64" | 0,13 | 34,3 | 0,16 | 42,2 | 0,18 | 47,5 | 0,22 | 58,1 | 0,25 | 66,0 | | | |
| | red | 104003 | 2,2 | 11/128" | 0,15 | 39,6 | 0,19 | 50,2 | 0,22 | 58,1 | 0,26 | 68,6 | 0,30 | 79,2 | | | |
| | grey | 104004 | 2,4 | 3/32" | 0,18 | 47,5 | 0,22 | 58,1 | 0,26 | 68,6 | 0,31 | 81,8 | 0,36 | 95,0 | | | |
| | blue | 104005 | 2,6 | 13/128" | 0,22 | 58,1 | 0,26 | 68,6 | 0,30 | 79,2 | 0,36 | 95,0 | 0,42 | 110,9 | | | |
|  | green | 104012 | 3 | 15/128" | 0,29 | 76,6 | 0,35 | 92,4 | 0,40 | 105,6 | 0,48 | 126,7 | 0,56 | 147,8 | | | |
| | red | 104013 | 3,2 | 1/8" | 0,33 | 87,1 | 0,40 | 105,6 | 0,46 | 121,4 | 0,55 | 145,2 | 0,64 | 169,0 | | | |
| | grey | 104014 | 3,4 | 17/128" | 0,37 | 97,7 | 0,45 | 118,8 | 0,51 | 134,6 | 0,62 | 163,7 | 0,72 | 190,1 | | | |
| | blue | 104015 | 3,6 | 9/64" | 0,41 | 108,2 | 0,50 | 132,0 | 0,57 | 150,5 | 0,69 | 182,2 | 0,80 | 211,2 | | | |
|  | yellow | 104016 | 3,8 | 19/128" | 0,46 | 121,4 | 0,56 | 147,8 | 0,64 | 169,0 | 0,77 | 203,3 | 0,90 | 237,6 | | | |
| | green | 104022 | 4 | 5/32" | 0,51 | 134,6 | 0,62 | 163,7 | 0,71 | 187,4 | 0,85 | 224,4 | 0,99 | 261,4 | | | |
| | red | 104023 | 4,2 | 21/128" | 0,56 | 147,8 | 0,68 | 179,5 | 0,78 | 205,9 | 0,94 | 248,2 | 1,09 | 287,8 | | | |
| | grey | 104024 | 4,4 | 11/64" | 0,61 | 161,0 | 0,75 | 198,0 | 0,85 | 224,4 | 1,05 | 277,2 | 1,20 | 316,8 | | | |
|  | blue | 104025 | 4,6 | 23/128" | 0,66 | 174,2 | 0,82 | 216,5 | 0,93 | 245,5 | 1,14 | 301,0 | 1,31 | 345,8 | | | |
| | yellow | 104026 | 4,8 | 3/16" | 0,73 | 192,7 | 0,89 | 235,0 | 1,01 | 266,6 | 1,24 | 327,4 | 1,42 | 374,9 | | | |
| | green | 104032 | 5 | 13/64" | 0,79 | 208,6 | 0,96 | 253,4 | 1,11 | 293,0 | 1,33 | 351,1 | 1,55 | 409,2 | | | |
| | red | 104033 | 5,2 | 27/128" | 0,85 | 224,4 | 1,04 | 274,6 | 1,19 | 314,2 | 1,44 | 380,2 | 1,67 | 440,9 | | | |
| | grey | 104034 | 5,4 | 7/32" | 0,92 | 242,9 | 1,12 | 295,7 | 1,29 | 340,6 | 1,56 | 411,8 | 1,79 | 472,6 | | | |
|  | blue | 104035 | 5,6 | 29/128" | 0,99 | 261,4 | 1,21 | 319,4 | 1,37 | 361,7 | 1,67 | 440,9 | 1,94 | 512,2 | | | |
| | yellow | 104036 | 5,8 | 15/64" | 1,06 | 279,8 | 1,30 | 343,2 | 1,47 | 388,1 | 1,79 | 472,6 | 2,08 | 549,1 | | | |
| | green | 104042 | 6 | 31/128" | 1,16 | 306,2 | 1,37 | 361,7 | 1,57 | 414,5 | 1,93 | 509,5 | 2,23 | 588,7 | | | |
| | red | 104043 | 6,2 | 1/4" | 1,24 | 327,4 | 1,47 | 388,1 | 1,69 | 446,2 | 2,05 | 541,2 | 2,39 | 631,0 | | | |
|  | grey | 104044 | 6,4 | 33/128" | 1,31 | 345,8 | 1,56 | 411,8 | 1,79 | 472,6 | 2,20 | 580,8 | 2,57 | 678,5 | | | |
| | blue | 104045 | 6,6 | 17/64" | 1,39 | 367,0 | 1,66 | 438,2 | 1,90 | 501,6 | 2,34 | 617,8 | 2,70 | 712,8 | | | |
| | yellow | 104046 | 6,8 | 25/128" | 1,48 | 390,7 | 1,76 | 464,6 | 2,03 | 535,9 | 2,49 | 657,4 | 2,88 | 760,3 | | | |
| | green | 104052 | 7 | 9/32" | 1,57 | 414,5 | 1,87 | 493,7 | 2,16 | 570,2 | 2,63 | 694,3 | 3,06 | 807,8 | | | |
|  | red | 104053 | 7,2 | 37/128" | 1,66 | 438,2 | 1,98 | 522,7 | 2,29 | 604,6 | 2,78 | 733,9 | 3,24 | 855,4 | | | |
| | grey | 104054 | 7,4 | 19/64" | 1,75 | 462,0 | 2,09 | 551,8 | 2,43 | 641,5 | 2,99 | 789,4 | 3,45 | 910,8 | | | |
| | blue | 104055 | 7,6 | 39/128" | 1,84 | 485,8 | 2,20 | 580,8 | 2,53 | 667,9 | 3,10 | 818,4 | 3,55 | 937,2 | | | |
| | yellow | 104056 | 7,8 | 5/16" | 1,93 | 509,5 | 2,32 | 612,5 | 2,68 | 707,5 | 3,25 | 858,0 | 3,76 | 992,6 | | | |
|  | green | 104052 | 8 | 41/128" | 2,05 | 541,2 | 2,44 | 644,2 | 2,85 | 752,4 | 3,45 | 910,8 | 3,94 | 1040,2 | | | |
| | red | 104053 | 8,4 | 43/128" | 2,26 | 596,6 | 2,69 | 710,2 | 3,15 | 831,6 | 3,82 | 1008,5 | 4,38 | 1156,3 | | | |
| | grey | 104054 | 8,8 | 45/128" | 2,50 | 660,0 | 2,95 | 778,8 | 3,44 | 908,2 | 4,16 | 1098,2 | 4,80 | 1267,2 | | | |
| | blue | 104055 | 9,2 | 47/128" | 2,73 | 720,7 | 3,23 | 852,7 | 3,78 | 997,9 | 4,56 | 1203,8 | 5,25 | 1386,0 | | | |
|  | yellow | 104056 | 9,6 | 49/128" | 2,97 | 784,1 | 3,51 | 926,6 | 4,12 | 1087,7 | 5,02 | 1325,3 | 5,70 | 1504,8 | | | |
| | ORANGE | no nozzle | | 10 | 51/128" | 3,15 | 831,6 | 3,85 | 1016,4 | 4,45 | 1174,8 | 5,39 | 1423,0 | 6,18 | 1631,5 | | |
| BROWN | no nozzle | | 10,4 | 53/128" | 3,40 | 897,6 | 4,17 | 1100,9 | 4,81 | 1269,8 | 5,83 | 1539,1 | 6,69 | 1766,2 | | | |



VYR-46



Ref. 004600

Ref. 004601

VYR-46 · Full circle AG

GENERAL PROPERTIES:

- Medium flow and low angle agricultural impact sprinkler low angle "WIND FIGHTER".
- 3/4" male or female connection.
- Made of plastic, brass and stainless steel.
- High-resistance rotating joints.
- Nozzle angles of 7° and 7°
- Specially designed for greater reach on Pivots, windy areas or under-tree irrigation.

TECHNICAL SPECIFICATIONS:

- Range distance: 11.5 - 15.5 m / 38-51 ft.
- Flow: 310 - 3520 L/H / 82 - 930 GPH.
- Working pressure: 1.75 - 4.5 BAR / 25 - 65 PSI.
- Area: Full circle.
- Nozzles: Two nozzles: one main nozzle and a secondary nozzle or plug.
- Trajectory angles: 7° and 7°
- Maximum stream height: 1.2 m / 3,9 ft.
- Rotation time: Depending on the pressure and the nozzles, the rotation will be constant and continuous.

APPLICATIONS:

- PIVOT irrigation.
- Strong wind areas irrigation.
- Horticultural plantations, cereals, tubers, leguminous plants and fruit trees.

MEASUREMENTS:

- Height: 14 cm / 5,5 in.
- Width: 19 cm / 7,5 in.
- Weight: 190 g / 0,42 Lbs.
- Units per box: 50

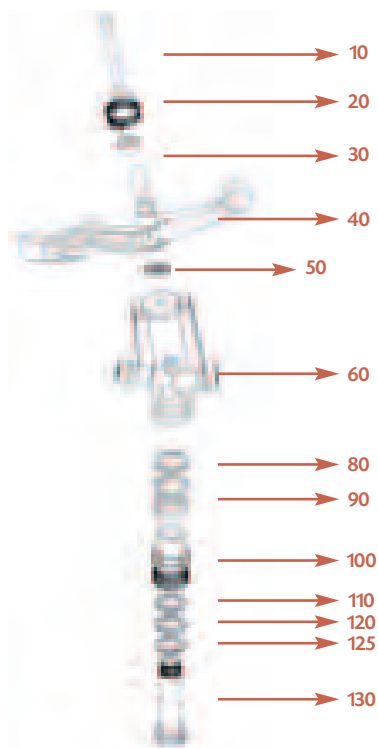
OPTIONS:

- Threads in BSP or NPT under demand.
- Secondary nozzle similar to the main nozzle.
- Connection coupling in plastic or brass.
- Assembled on a pressure regulator for self-compensation of pressure and flow.

MODELS:

- Ref. 004600: With plastic base.
- Ref. 004601: With brass male base.
- Ref. 004602: With brass female base.

TABLES & PARTS



Performance nozzle table VYR-46

Long range nozzle (long vane) + short range nozzle

| NOZZLE | 4 x 2,4 mm 5/32 x 3/32" | | 4,4 x 2,4 mm 11/64 x 3/32" | | 4,8 x 2,4 mm 3/16 x 3/32" | | 5,5 x 2,4 mm 7/32 x 3/32" | |
|--------|----------------------------|------------|-------------------------------|------------|------------------------------|------------|------------------------------|------------|
| | BAR PSI | L/H GPH | Ø m Ø ft | L/H GPH | Ø m Ø ft | L/H GPH | Ø m Ø ft | L/H GPH |
| 2 | 1150 | 23 | 1290 | 23 | 1560 | 23 | 1880 | 23 |
| 29 | 304 | 76 | 341 | 76 | 412 | 76 | 497 | 76 |
| 2,5 | 1310 | 24 | 1435 | 24 | 1750 | 24 | 2090 | 24 |
| 36 | 346 | 79 | 379 | 79 | 462 | 79 | 552 | 79 |
| 3 | 1420 | 24 | 1550 | 24 | 1920 | 24 | 2290 | 24 |
| 44 | 375 | 79 | 409 | 79 | 507 | 79 | 605 | 79 |
| 3,5 | 1530 | 25 | 1660 | 25 | 2050 | 25 | 2460 | 25 |
| 51 | 404 | 82 | 439 | 82 | 542 | 82 | 650 | 82 |
| 4 | 1630 | 26 | 1770 | 26 | 2180 | 26 | 2620 | 26 |
| 58 | 431 | 85 | 468 | 85 | 576 | 85 | 692 | 85 |
| 4,5 | 1720 | 26 | 1870 | 26 | 2300 | 26 | 2770 | 26 |
| 65 | 454 | 85 | 494 | 85 | 608 | 85 | 732 | 85 |
| 5 | 1800 | 26 | 1970 | 26 | 2430 | 26 | 2920 | 26 |
| 0 | 476 | 85 | 520 | 85 | 642 | 85 | 771 | 85 |

- For optimum distribution avoid use in shady areas.
- Sprinklers will be supplied with standard nozzles unless otherwise specified.
- In order to calculate the flow, add the flows of the two nozzles. The range of the rear nozzle must be less than that of the main nozzle.
- These results has been obtained at indoor laboratory with 0 m/sec win velocity. Outdoor results may change range distances.

Long range nozzle (long vane) + plug

| NOZZLE | 2,8 mm 7/64" | | 3,2 mm 1/8" | | 3,6 mm 9/64" | | 4 mm 5/32" | | 4,4 mm 11/64" | | 4,8 mm 3/16" | | 5,15 mm 13/64" | | 5,5 mm 7/32" | | 6 mm 15/64" | | 6,35 mm 1/4" | | 6,75 mm 17/64" | | |
|--------|-----------------|------------|----------------|------------|-----------------|------------|---------------|------------|------------------|------------|-----------------|------------|-------------------|------------|-----------------|------------|----------------|------------|-----------------|------------|-------------------|------------|-------------|
| | BAR PSI | L/H GPH | Ø m Ø ft | L/H GPH | Ø m Ø ft | L/H GPH | Ø m Ø ft | L/H GPH | Ø m Ø ft | L/H GPH | Ø m Ø ft | L/H GPH | Ø m Ø ft | L/H GPH | Ø m Ø ft | L/H GPH | Ø m Ø ft | L/H GPH | Ø m Ø ft | L/H GPH | Ø m Ø ft | L/H GPH | Ø m Ø ft |
| 1 | 310 | 23 | 400 | 23 | 510 | 23 | | | | | | | | | | | | | | | | | |
| 15 | 82 | 75 | 106 | 75 | 135 | 75 | | | | | | | | | | | | | | | | | |
| 1,5 | 380 | 24 | 500 | 25 | 620 | 25 | | | | | | | | | | | | | | | | | |
| 22 | 100 | 79 | 132 | 82 | 164 | 82 | | | | | | | | | | | | | | | | | |
| 2 | 440 | 25,5 | 560 | 26 | 710 | 26,5 | | | | | | | | | | | | | | | | | |
| 29 | 116 | 84 | 148 | 85 | 188 | 87 | | | | | | | | | | | | | | | | | |
| 2,5 | 480 | 26 | 630 | 26,5 | 780 | 27,5 | 950 | 23 | 1140 | 23 | 1360 | 24 | 1610 | 24,5 | 1880 | 25 | 2150 | 26 | 2450 | 26 | 2750 | 27 | |
| 36 | 127 | 85 | 166 | 87 | 206 | 90 | 251 | 75 | 301 | 75 | 359 | 79 | 425 | 80 | 497 | 82 | 568 | 85 | 647 | 85 | 726 | 89 | |
| 3 | 520 | 27 | 680 | 27,5 | 850 | 28 | 1050 | 24,5 | 1300 | 25 | 1530 | 25,5 | 1800 | 26 | 2090 | 27,5 | 2400 | 27 | 2700 | 27,5 | 3020 | 28 | |
| 44 | 137 | 89 | 180 | 90 | 225 | 92 | 277 | 80 | 343 | 82 | 404 | 84 | 476 | 85 | 552 | 90 | 634 | 89 | 713 | 90 | 798 | 92 | |
| 3,5 | 550 | 28 | 720 | 28 | 920 | 28,5 | 1140 | 26 | 1360 | 26 | 1650 | 26,5 | 1940 | 27 | 2250 | 28 | 2570 | 28 | 2950 | 28,5 | 3300 | 29,5 | |
| 51 | 145 | 92 | 190 | 92 | 243 | 94 | 301 | 85 | 359 | 85 | 436 | 87 | 512 | 89 | 594 | 92 | 679 | 92 | 779 | 94 | 872 | 97 | |
| 4 | | | | | | | 1200 | 25 | 1470 | 27 | 1750 | 27,5 | 2050 | 28 | 2400 | 28,5 | 2750 | 29 | 3150 | 30 | 3520 | 30,5 | |
| 58 | | | | | | | 317 | 82 | 388 | 89 | 462 | 90 | 542 | 92 | 634 | 94 | 726 | 95 | 832 | 98 | 930 | 100 | |

 Standard  Diameter range

VYR-19 PR

Pressure regulators

SEE PAGE 183 FOR MORE INFORMATION

GENERAL PROPERTIES:

- Pressure regulators for agriculture professionals.
- Made of special plastics, rubber and stainless steel.
- Designed with transverse and longitudinal reinforcements make this range of pressure regulators, one of the toughest market to the high pressures and water hammer.
- Thread 3/4 "H x 3/4" H (NPT/BSP).
- Stainless steel spring high quality strongly continuous and homogeneous.
- Flow rate of 0.12 to 2.8 m³/h
- Maximum Working Pressure 10 BAR / 150 PSI.

Ref. 101930: VYR-19, 3/4", 30 PSI / 2.07 BAR

Ref. 101910: VYR-19, 3/4", 10 PSI / 0.70 BAR

Ref. 101940: VYR-19, 3/4", 40 PSI / 2.76 BAR

Ref. 101920: VYR-19, 3/4", 20 PSI / 1.38 BAR

Ref. 101950: VYR-19, 3/4", 50 PSI / 3.45 BAR

Ref. 101925: VYR-19, 3/4", 25 PSI / 1.73 BAR

Ref. 111910: VYR-19, 3/4" x 1/2", 10 PSI / 0,70 BAR

Ref. 111920: VYR-19, 3/4" x 1/2", 20 PSI / 1,38 BAR

Ref. 111925: VYR-19, 3/4" x 1/2", 25 PSI / 1,73 BAR

Ref. 111930: VYR-19, 3/4" x 1/2", 30 PSI / 2,07 BAR

Ref. 111940: VYR-19, 3/4" x 1/2", 40 PSI / 2,76 BAR

Ref. 111950: VYR-19, 3/4" x 1/2", 50 PSI / 3,45 BAR

Ref. 101940



MODELS:

VYR-19 HPR

Pressure regulators

SEE PAGE 184 FOR MORE INFORMATION

GENERAL PROPERTIES:

- Professional pressure regulators for agricultural and industrial use.
- High performance and low flow in-line flow with fixed pressure regulation.
- Average flow rate of 0.4 - 4.5 m³ / hour (2 - 20 GPM).
- Connection 3/4" female in inlet and 3/4" female in outlet.
- Made of acetal resin.
- Spanish stainless steel spring and screws.
- High resistance EPDM membrane with mesh inserted to offer maximum durability.

MODELS:

Ref. 111906: 6 PSI / 0.41 BAR

Ref. 111910: 10 PSI / 0.70 BAR

Ref. 111920: 20 PSI / 1.38 BAR

Ref. 111925: 25 PSI / 1.73 BAR

Ref. 111930: 30 PSI / 2.07 BAR

Ref. 111940: 40 PSI / 2.76 BAR

Ref. 111950: 50 PSI / 3.45 BAR

Ref. 111930



VYR-1118

Hose connectors and weight

CARACTERÍSTICAS GENERALES:

- Connections 3/4 "with nut for tube placement pendulum.
- Made of high strength plastic.
- Connection 3/4 "male hose and spigot Express 20 mm.

MODELS:

Ref. 111820: 3/4" male for ø 20 mm hose

Ref. 111825: 3/4" female for ø 20 mm hose

Ref. 111845: Tubular weight with 3/4" M thread to Ø 20 mm hose connect.

Ref. 111845



Ref. 111825



Ref. 111820

VYR-160

Part Circle End-Gun Sprinklers

GENERAL PROPERTIES:

- Part circle agricultural impact sprinkler, high flow.
- 1 1/4" male connection.
- Made of brass and stainless steel.
- High-resistance rotating joints.
- Part circle mechanical system using clips that are very easy and quick to adjust.
- Reach: 79-118 ft. (24-36 m).
- Flow: 1640-7400 GPH (6.200 - 28.000 l/h).
- Working pressure: 44-73 PSI (3 - 5 BAR).
- Area: Part or full circle.
- Nozzles: One main long reach nozzle and a secondary short reach nozzle.
- Trajectory angles: 21° and 12°
- Maximum stream height: 11.5 ft. (3.5 m).

MODELS:

Ref. 016000

SEE PAGE 110 FOR MORE INFORMATION



VYR-144

Part Circle End-Gun Sprinklers

GENERAL PROPERTIES:

- Agricultural part-circle impact sprinkler with medium-high flow.
- 1 1/4" female connection.
- Made of aluminium, plastic and stainless steel.
- High-resistance rotating joints.
- Nozzle angles of 30° and 22°
- Reach: 53-85 ft. (16-26 m).
- Flow: 595-2850 GPH (2.250 - 10.800 l/h).
- Working pressure: 22-65 PSI (1.5 - 4.5 BAR).
- Area: Part or full circle.
- Nozzles: One main nozzle with built-in deflector pin, and a second short range deflector nozzle.
- Trajectory angles: 30° and 22°
- Maximum stream height: 18 ft. (5.5 m).

MODELS:

Ref. 014404

SEE PAGE 112 FOR MORE INFORMATION



VYR-100 Grillo

Part Circle End-Gun Sprinklers

GENERAL PROPERTIES:

- Turbine-driven Rain-Gun, high flow for agriculture.
- 2" female connection.
- Made of aluminium, brass, plastic and stainless steel.
- High-resistance rotating joints.
- Nozzle angle of 28°
- Special design for long reach.
- Reach: 82-125 ft. (25-38 m).

- Flow: 2245-7180 GPH (8.500 - 27.200 l/h).
- Working pressure: 36-65 PSI (2.5 - 4.5 BAR).
- Area: Part or full circle.
- Nozzles: One main multi-jet nozzle with built-in deflector pin.
- Trajectory angles: 28°
- Maximum stream height: 19 ft. (5.8 m).

MODELS:

Ref. 010000

SEE PAGE 116 FOR MORE INFORMATION



Special 18° nozzle for PIVOT end-gun





Agriculture

Medium - High Flow

MEDIUM FLOW "FULL CIRCLE"

| | |
|-----------------------|--------|
| - VYR-4000 ROTEK..... | Pg. 64 |
| - VYR-35..... | Pg. 66 |
| - VYR-36..... | Pg. 68 |
| - VYR-37..... | Pg. 70 |
| - VYR-46..... | Pg. 72 |
| - VYR-56..... | Pg. 74 |
| - VYR-70..... | Pg. 76 |

HIGH FLOW "FULL CIRCLE"

| | |
|------------------|--------|
| - VYR-70 VC..... | Pg. 78 |
| - VYR-70 VL..... | Pg. 80 |
| - VYR-86..... | Pg. 82 |
| - VYR-144 C..... | Pg. 84 |
| - VYR-155..... | Pg. 86 |

VYR-4000 Rotec

**Low-flow
sprinkler irrigation!**



Ref. 040001

VYR-4000 ROTEC · Full circle AG

GENERAL PROPERTIES:

- Agricultural rotor sprinkler for low pressure/flow irrigation with silicone engine technology.
- Patented 2-speed motor selector.
- 3/4" male connection.
- Made of super-resistant plastic with UV treatments.
- Rotating joints of high strength.
- Angles of nozzles are 25° and 15° degrees.
- Special design for coverage irrigation at low pressures.
- Secondary plate deflector hole can be opened or plugged.

TECHNICAL SPECIFICATIONS:

- Range: 8 to 12 m / 26-40 ft.
- Flow rate: 660 - 2400 l / H / 174 - 634 GPH.
- Pressure: 1.8 to 4.5 BAR / 26 - 65 PSI.
- Sector: Circular or 180° degrees with the deflector.
- Nozzles: A nozzle plate with one or two outputs.
- Trajectory angles: 25° and 15°
- Maximum height jet of 2.3 m / 7,5 ft.
- Rotation time: Depending on the pressure and nozzles is uniform and continuous.
- Coefficient of Uniformity above 90% in frames of 10x12R, 12x12T, 12x15T, 15x 15R and 15x15T (meters).

APPLICATIONS:

- Horticultural plantations, cereals, tubers, legumes and fruit.

OPTIONS:

- Pressure regulator VYR-19 to offset the pressures of your irrigation system.

MEASUREMENTS:

- Height: 9,5 cm / 3,7 in.
- Width: 6,5 cm / 2,6 in.
- Weight: 75 g / 0,16 Lbs
- Units per box: 50

MODELS:

Motor Body

- Ref. 040000: ROTEC motor-body black (slow).
- Ref. 040001: ROTEC motor-body black (fast).
- Ref. 440009: Deflector 180°

Nozzles

- Ref. 440036: 3/4" nozzle GREY nozzle of 3,6 mm
- Ref. 440040: 3/4" nozzle PURPLE nozzle of 4 mm
- Ref. 440044: 3/4" nozzle GREEN nozzle of 4,4 mm
- Ref. 440048: 3/4" nozzle BROWN nozzle of 4,8 mm

- Ref. 440136: 1/2" nozzle GREY color of 3,6 mm
- Ref. 440140: 1/2" nozzle PURPLE color of 4 mm
- Ref. 440144: 1/2" nozzle GREEN color of 4,4 mm
- Ref. 440148: 1/2" nozzle BROWN color of 4,8 mm

Plates 24°

- Ref. 440000: GREY plate of 3,6 mm x plug
- Ref. 440024: PURPLE plate of 3,6 x 2,4 mm
- Ref. 440028: GREEN plate of 3,6 x 2,8 mm
- Ref. 440031: BROWN plate of 3,6 x 3,1 mm

Low Angle Plates (under canopy)

- Ref. 440108LA: Plato GRIS de 8°
- Ref. 440112LA: Plato AMARILLO de 12°
- Ref. 440208LA: Plato AZUL de 8° (CORTINA)
- Ref. 440212LA: Plato NARANJA de 12° (CORTINA)

Ref. 440017: Low range deflector.

(*Only for GREEN and BROWN plates)





TABLES & PARTS

Technical guidance table VYR-4000

| NOZZLE | Spacing (m) / Precipit. rate (mm/h) Spacing (ft) / Precipit. rate (in/h) | | | | | | | |
|------------------|---|--------------------|----------------|--------------------|----------------|--------------------|--------------------|--|
| | BAR PSI | 10x12 T 32x39 T | 12x12 39x39 | 12x12 T 39x39 T | 12x15 39x49 | 12x15 T 39x49 T | 15x15 T 49x49 T | |
| 3,6 mm 9/64" | 2 | 4,6 | 3,3 | 3,8 | 2,7 | 3,1 | 2,5 | |
| | 29 | 0,18 | 0,13 | 0,15 | 0,11 | 0,12 | 0,10 | |
| | 2,5 | 5,1 | 3,7 | 4,2 | 2,9 | 3,4 | 2,7 | |
| | 36 | 0,20 | 0,15 | 0,17 | 0,12 | 0,13 | 0,11 | |
| 4 mm 5/32" | 3 | 5,5 | 4 | 4,6 | 3,2 | 3,7 | 2,9 | |
| | 44 | 0,22 | 0,16 | 0,18 | 0,13 | 0,15 | 0,11 | |
| | 2 | 6,7 | 4,8 | 5,6 | 3,9 | 4,5 | 3,6 | |
| | 29 | 0,26 | 0,19 | 0,22 | 0,15 | 0,18 | 0,14 | |
| 4,4 mm 11/64" | 2,5 | 7,3 | 5,3 | 6,1 | 4,2 | 4,9 | 3,9 | |
| | 36 | 0,29 | 0,21 | 0,24 | 0,17 | 0,19 | 0,15 | |
| | 3 | 7,8 | 5,6 | 6,5 | 4,5 | 5,2 | 4,2 | |
| | 44 | 0,31 | 0,22 | 0,26 | 0,18 | 0,20 | 0,17 | |
| 4,8 mm 3/16" | 2 | 9,4 | 6,8 | 7,8 | 5,4 | 6,3 | 5 | |
| | 29 | 0,37 | 0,27 | 0,31 | 0,21 | 0,25 | 0,20 | |
| | 2,5 | 10,2 | 7,4 | 8,5 | 5,9 | 6,8 | 5,5 | |
| | 36 | 0,40 | 0,29 | 0,33 | 0,23 | 0,27 | 0,22 | |
| 4,8 mm 3/16" | 3 | 10,8 | 7,8 | 9 | 6,2 | 7,2 | 5,8 | |
| | 44 | 0,43 | 0,31 | 0,35 | 0,24 | 0,28 | 0,23 | |
| | 2 | 11,5 | 8,3 | 9,6 | 6,7 | 7,7 | 6,2 | |
| | 29 | 0,45 | 0,33 | 0,38 | 0,26 | 0,30 | 0,24 | |
| 4,8 mm 3/16" | 2,5 | 12,5 | 9 | 10,4 | 7,2 | 8,4 | 6,7 | |
| | 36 | 0,49 | 0,35 | 0,41 | 0,28 | 0,33 | 0,26 | |
| | 3 | 14,4 | 10,4 | 12 | 8,3 | 9,6 | 7,7 | |
| | 44 | 0,57 | 0,41 | 0,47 | 0,33 | 0,38 | 0,30 | |

T: Triang. CU < 85% CU 85-88% CU 88-92% CU > 92%

Deflector 180° ----->



Body - motor



Plate



Nozzle



Low range deflectors for high coverage plates

Sleeve Racord 3/4"



Ref. 105608



Performance nozzle table VYR-4000

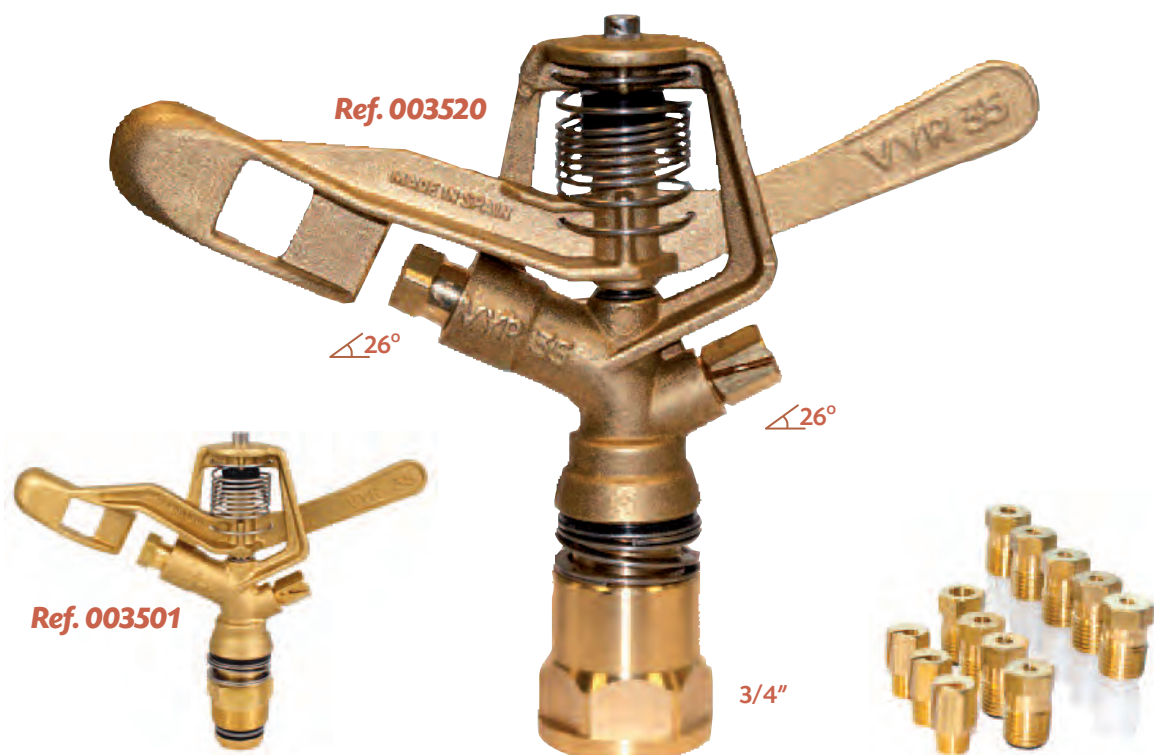
| MOTOR | 1,8 - 3 BAR down | | 3 - 4,5 up | | 1,8 - 3 BAR down | | 3 - 4,5 up | |
|------------------|------------------|---------------|--------------|---------------|------------------|---------------|--------------|---------------|
| | L / H GPH | R- m R- ft | L / H GPH | R- m R- ft | L / H GPH | R- m R- ft | L / H GPH | R- m R- ft |
| 3,6 mm 9/64" | 480 | 11 | 696 | 11 | 978 | 12 | 1200 | 12 |
| | 127 | 36 | 184 | 36 | 258 | 39,5 | 317 | 39,5 |
| 4 mm 5/32" | 510 | 11 | 756 | 11 | 1062 | 12 | 1308 | 12 |
| | 135 | 36 | 200 | 36 | 280 | 39,5 | 345 | 39,5 |
| 4,4 mm 11/64" | 570 | 11 | 810 | 11 | 1122 | 12 | 1500 | 12 |
| | 150 | 36 | 214 | 36 | 296 | 39,5 | 396 | 39,5 |

R- : Range distance



- Sprinklers will be supplied with standard nozzles unless otherwise specified.
- In order to calculate the flow, add the flows of the two nozzles. The range of the rear nozzle must be less than that of the main nozzle.
- These results has benn obtained at indoor laboratory with 0 m/seg win velocity. Outdoor results may change range distances.

VYR-35



VYR-35 · Full circle AG

GENERAL PROPERTIES:

- Medium flow agricultural impact sprinkler.
- 3/4" male or female connection.
- Made of brass and stainless steel.
- High-resistance rotating joints.
- Nozzle angles of 26° and 26°
- Designed for full coverage irrigation offering best compliance with spacing standards in the market.
- Leading sprinkler in the agricultural market.

TECHNICAL SPECIFICATIONS:

- Range distance: 13 - 18 m / 43-60 ft.
- Flow: 660 - 3270 L/H / 175-864 GPH
- Working pressure: 1,75 - 4,5 BAR / 25-65 PSI.
- Area: Full circle.
- Nozzles: Two nozzles: one main nozzle and a secondary deflector nozzle or plug.
- Trajectory angles: 26° and 26°
- Maximum stream height: 4,2 m / 14 ft.
- Rotation time: Depending on the pressure and the nozzles, the rotation will be constant and continuous.
- Uniformity coefficient higher than 90% in areas of 18x18R, 15x18T and 18x18T (meters).

APPLICATIONS:

- This model is compatible with almost any type of crop and with a wide range of pluviometric and spacing conditions, suitable for a large number of different crop types.
- Horticultural plantations, cereals, tubers, leguminous plants and fruit trees.

MEASUREMENTS:

- Height: 14 cm / 5,5 in.
- Width: 17 cm / 6,7 in.
- Weight: 430 g / 0,95 Lbs.
- Units per box: 50

OPTIONS:

- Threads in BSP or NPT under demand.
- Brass or plastic nozzles, depending on the customer's technical specifications.
- Secondary nozzle with deflector slot or plug.
- Assembled on a pressure regulator for self-compensation of pressure and flow.

MODELS:

- Ref. 003501: 3/4" male.
- Ref. 003520: 3/4" female.

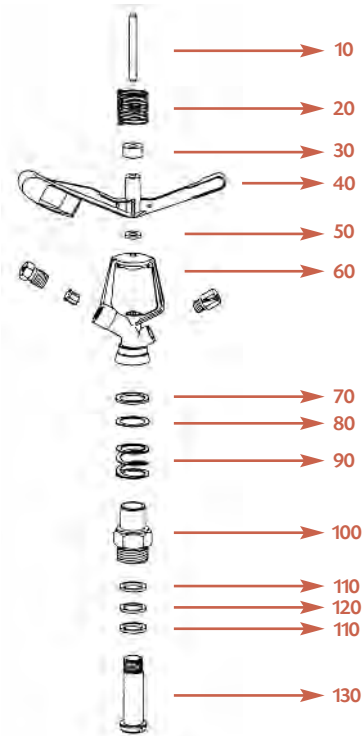


TABLES & PARTS

Technical guidance table VYR-35

| NOZZLE | Spacing (m) / Precipit. rate (mm/h) Spacing (ft) / Precipit. rate (in/h) | | | | | | |
|--------------------------------|---|--------------------|--------------------|--------------------|--------------------|--------------------|----------------|
| | BAR PSI | 12x15 T 40x50 T | 15x15 T 50x50 T | 15x18 T 50x60 T | 18x18 T 60x60 T | 18x20 T 60x66 T | 20x20 66x66 |
| 4,2,4 mm 5/32" x 3/32" | 3 | 9,9 | 7,9 | 6,3 | 5,9 | 4,3 | 4,4 |
| | 44 | 0,39 | 0,31 | 0,25 | 0,23 | 0,17 | 0,17 |
| | 3,5 | 10,7 | 8,6 | 6,8 | 6,3 | 4,7 | 4,8 |
| | 51 | 0,42 | 0,34 | 0,27 | 0,25 | 0,19 | 0,19 |
| | 4 | 11,4 | 9,1 | 7,3 | 6,8 | 5 | 5,1 |
| | 58 | 0,45 | 0,36 | 0,29 | 0,27 | 0,20 | 0,20 |
| 4,4 x 2,4 mm 11/64" x 3/32" | 5 | 11,9 | 9,6 | 7,8 | 7,3 | 5,5 | 5 |
| | 73 | 0,47 | 0,38 | 0,31 | 0,29 | 0,22 | 0,20 |
| | 3 | 11,2 | 9 | 7,4 | 6,8 | 5,1 | 5,2 |
| | 44 | 0,44 | 0,35 | 0,29 | 0,27 | 0,20 | 0,20 |
| | 3,5 | 12,3 | 9,9 | 7,9 | 7,3 | 5,4 | 5,5 |
| | 51 | 0,48 | 0,39 | 0,31 | 0,29 | 0,21 | 0,22 |
| 4,8 x 3,2 mm 3/16" x 1/8" | 4 | 13,2 | 10,6 | 8,4 | 7,8 | 5,8 | 5,9 |
| | 58 | 0,52 | 0,42 | 0,33 | 0,31 | 0,23 | 0,23 |
| | 5 | 13,8 | 11,2 | 9 | 8,4 | 6,4 | 6,5 |
| | 73 | 0,54 | 0,44 | 0,35 | 0,33 | 0,25 | 0,26 |
| | 3 | 13,1 | 10,5 | 8,4 | 7,7 | 5,7 | 5,8 |
| | 44 | 0,52 | 0,41 | 0,33 | 0,30 | 0,22 | 0,23 |
| 5,2 x 3,2 mm 13/64" x 1/8" | 3,5 | 14,2 | 11,3 | 9,1 | 8,4 | 6,2 | 6,3 |
| | 51 | 0,56 | 0,44 | 0,36 | 0,33 | 0,24 | 0,25 |
| | 4 | 15,1 | 12,1 | 9,7 | 8,9 | 6,6 | 6,7 |
| | 58 | 0,59 | 0,48 | 0,38 | 0,35 | 0,26 | 0,26 |
| | 5 | 15,7 | 12,7 | 10,4 | 9,6 | 7,3 | 7,4 |
| | 73 | 0,62 | 0,50 | 0,41 | 0,38 | 0,29 | 0,29 |
| 5,2 x 3,2 mm 13/64" x 1/8" | 3 | 17,4 | 13,8 | 10,8 | 9,7 | 7,1 | 7,2 |
| | 44 | 0,69 | 0,54 | 0,43 | 0,38 | 0,28 | 0,28 |
| | 3,5 | 18,3 | 14,7 | 11,7 | 10,8 | 8 | 8,1 |
| | 51 | 0,72 | 0,58 | 0,46 | 0,43 | 0,31 | 0,32 |
| | 4 | 19,6 | 15,7 | 12,5 | 11,6 | 8,6 | 8,7 |
| | 58 | 0,77 | 0,62 | 0,49 | 0,46 | 0,34 | 0,34 |
| 5,2 x 3,2 mm 13/64" x 1/8" | 5 | 20,8 | 16,9 | 13,7 | 12,8 | 9,8 | 9,9 |
| | 73 | 0,82 | 0,67 | 0,54 | 0,50 | 0,39 | 0,39 |

T: Triang. CU < 85% CU 85-88% CU 88-92% CU > 92%



Performance nozzle table VYR-35

Long range nozzle (long vane) + plug

Standard Ø: Diameter range

| NOZZLE | 3,2 mm 17/128" | | 3,6 mm 9/64" | | 4 mm 5/32" | | 4,4 mm 11/64" | | 4,8 mm 3/16" | | 5,2 mm 13/64" | | 5,6 mm 7/32" | |
|--------|-------------------|------------|-----------------|------------|---------------|------------|------------------|------------|-----------------|------------|------------------|------------|-----------------|------------|
| | BAR PSI | L/H GPH | Ø m Ø ft | L/H GPH | Ø m Ø ft | L/H GPH | Ø m Ø ft | L/H GPH | Ø m Ø ft | L/H GPH | Ø m Ø ft | L/H GPH | Ø m Ø ft | L/H GPH |
| 2,5 | 620 | 26 | 790 | 26,5 | 1970 | 27,5 | 1160 | 30 | 1390 | 32 | 1640 | 32,5 | 1720 | 34 |
| 36 | 164 | 85 | 209 | 87 | 520 | 90 | 306 | 98 | 367 | 105 | 433 | 107 | 454 | 112 |
| 3 | 680 | 26 | 860 | 26,5 | 1050 | 28 | 1270 | 30,5 | 1510 | 32 | 1790 | 33,5 | 1880 | 35 |
| 44 | 180 | 85 | 227 | 87 | 277 | 92 | 335 | 100 | 399 | 105 | 473 | 110 | 497 | 115 |
| 3,5 | 740 | 26,5 | 930 | 27 | 1140 | 29,5 | 1380 | 31,5 | 1640 | 33 | 1930 | 34,5 | 2140 | 36 |
| 51 | 195 | 87 | 246 | 89 | 301 | 97 | 365 | 103 | 433 | 108 | 510 | 113 | 565 | 118 |
| 4 | 790 | 26,5 | 1000 | 28 | 1220 | 29,5 | 1470 | 32,5 | 1750 | 34 | 2060 | 35,5 | 2240 | 37 |
| 58 | 209 | 87 | 264 | 92 | 322 | 97 | 388 | 107 | 462 | 112 | 544 | 116 | 592 | 121 |
| 4,5 | 840 | 27 | 1060 | 29 | 1290 | 30 | 1550 | 33,5 | 1860 | 35 | 2180 | 36 | 2410 | 38,5 |
| 65 | 222 | 89 | 280 | 95 | 341 | 98 | 409 | 110 | 491 | 115 | 576 | 118 | 637 | 126 |
| 5 | 880 | 27,5 | 1120 | 29,5 | 1360 | 30,5 | 1640 | 34 | 1960 | 36 | 2290 | 37,5 | 2520 | 39,5 |
| 73 | 232 | 90 | 296 | 97 | 100 | 100 | 433 | 112 | 518 | 118 | 605 | 123 | 666 | 130 |
| 5,5 | 930 | 28 | 1170 | 30 | 1430 | 31 | 1720 | 35 | 2060 | 36,5 | 2380 | 38 | 2640 | 40 |
| 80 | 246 | 92 | 309 | 98 | 378 | 102 | 454 | 115 | 544 | 120 | 629 | 125 | 697 | 131 |

(Sprinkler at 1 meter height)

- In shady areas is highly recommended the use of low pressure orange vane.
- Sprinklers will be supplied with standard nozzles unless otherwise specified.
- In order to calculate the flow, add the flows of the two nozzles. The range of the rear nozzle must be less than that of the main nozzle.
- These results has benn obtained at indoor laboratory with 0 m/seg win velocity. Outdoor results may change range distances.

Long range nozzle (long vane) + short range nozzle

| NOZZLE | 3,2 x 2,4 mm 1/8 x 3/32" | | 3,6 x 2,4 mm 9/64 x 3/32" | | 4 x 2,4 mm 5/32 x 3/32" | | 4,4 x 2,4 mm 11/64" x 3/32" | | 4,8 x 2,8 mm 3/16" x 7/64" | | 4,8 x 3,2 mm 3/16 x 17/128" | | 5,2 x 3,2 mm 13/64" x 17/128" | | 5,6 x 3,2 mm 7/32 x 17/128" | |
|--------|-----------------------------|------------|------------------------------|------------|----------------------------|------------|--------------------------------|------------|-------------------------------|------------|--------------------------------|------------|----------------------------------|------------|--------------------------------|------------|
| | BAR PSI | L/H GPH | Ø m Ø ft | L/H GPH | Ø m Ø ft | L/H GPH | Ø m Ø ft | L/H GPH | Ø m Ø ft | L/H GPH | Ø m Ø ft | L/H GPH | Ø m Ø ft | L/H GPH | Ø m Ø ft | L/H GPH |
| 2,5 | 980 | 26 | 1150 | 26,5 | 1320 | 27,5 | 1520 | 30 | 1895 | 32 | 2050 | 32 | 2310 | 32,5 | 2460 | 34 |
| 36 | 259 | 85 | 304 | 87 | 349 | 90 | 402 | 98 | 501 | 105 | 542 | 105 | 610 | 107 | 650 | 112 |
| 3 | 1070 | 26 | 1250 | 26,5 | 1450 | 28 | 1670 | 30,5 | 2100 | 32 | 2240 | 32 | 2520 | 33,5 | 2730 | 35 |
| 44 | 283 | 85 | 330 | 87 | 383 | 92 | 441 | 100 | 555 | 105 | 592 | 105 | 666 | 110 | 721 | 115 |
| 3,5 | 1160 | 26,5 | 1350 | 27 | 1560 | 29,5 | 1800 | 31,5 | 2255 | 33 | 2420 | 33 | 2720 | 34,5 | 2915 | 36 |
| 51 | 306 | 87 | 357 | 89 | 412 | 97 | 476 | 103 | 596 | 108 | 639 | 108 | 719 | 113 | 770 | 118 |
| 4 | 1240 | 26,5 | 1450 | 28 | 1670 | 29,5 | 1920 | 32,5 | 2400 | 34 | 2590 | 34 | 2910 | 35,5 | 3035 | 37 |
| 58 | 328 | 87 | 383 | 92 | 441 | 97 | 507 | 107 | 634 | 112 | 684 | 112 | 769 | 116 | 802 | 121 |
| 4,5 | 1320 | 27 | 1540 | 29 | 1770 | 30 | 2030 | 33,5 | 2545 | 35 | 2750 | 35 | 3070 | 36 | 3170 | 38,5 |
| 65 | 349 | 89 | 407 | 95 | 468 | 98 | 536 | 110 | 672 | 115 | 726 | 115 | 811 | 118 | 837 | 126 |
| 5 | 1360 | 27,5 | 1620 | 29,5 | 1870 | 30,5 | 2140 | 34 | 2680 | 36 | 2880 | 36 | 3230 | 37,5 | 3300 | 39,5 |
| 73 | 359 | 90 | 428 | 97 | 494 | 100 | 565 | 112 | 708 | 118 | 761 | 118 | 853 | 123 | 872 | 130 |
| 5,5 | 1460 | 28 | 1700 | 30 | 1960 | 31 | 2240 | 35 | 2810 | 36,5 | 3010 | 36,5 | 3360 | 38 | 3430 | 40 |
| 80 | 386 | 92 | 449 | 98 | 518 | 102 | 592 | 115 | 742 | 120 | 795 | 120 | 888 | 125 | 906 | 131 |

(Sprinkler at 1 meter height)



Nozzle set position at 21:00

VYR-36



VYR-36 · Agrícolas circulares

GENERAL PROPERTIES:

- Medium flow agricultural impact sprinkler.
- 3/4" male or female connection.
- Made of plastic and stainless steel.
- High-resistance rotating joints.
- Nozzle angles of 25° and 25°
- Used in full coverage irrigation with the best compliance with spacing standards in the market.
- Curved design of the internal angles of the body to avoid internal hydraulic turbulence and for greater reach.
- Nickel plating steel ball counterweights inserted in the arm.
- Plastic sprinkler, leader in the agricultural market.

TECHNICAL SPECIFICATIONS:

- Range distance: 13 - 18 m / 43-60 ft.
- Flow: 660 - 3270 L/H / 175-864 GPH
- Working pressure: 1,75 - 4,5 BAR / 25-65 PSI.
- Area: Full circle.
- Nozzles: Two nozzles: one main nozzle and a secondary deflector nozzle or plug.
- Trajectory angles: 25° and 25°
- Maximum stream height: 4 m / 14 ft.
- Rotation time: Depending on the pressure and the nozzles, the rotation will be constant and continuous.
- Uniformity coefficient higher than 90% in areas of 18x18R, 15x18T and 18x18T (meters).

APPLICATIONS:

- This model is compatible with almost any type of crop and with a wide range of pluviometric and spacing conditions, suitable for a large number of different crop types.
- Horticultural plantations, cereals, tubers, leguminous plants and fruit trees.

MEASUREMENTS:

- Height: 14 cm / 5,5 in.
- Width: 17 cm / 6,7 in.
- Weight: 178 g / 0,40 Lbs.
- Units per box: 100

OPTIONS:

- Threads in BSP or NPT under demand.
- Models with anti-frost cover with male or female connection.
- Brass or plastic nozzles, depending on the customer's technical specifications.
- Secondary nozzle with deflector slot or plug.
- Assembled on a pressure regulator for self-compensation of pressure and flow.

MODELS:

- Ref. 003600: 3/4" male.
- Ref. 003602: 3/4" female.
- Ref. 003620: 3/4" male, anti-frost.
- Ref. 003622: 3/4" female, anti-frost.

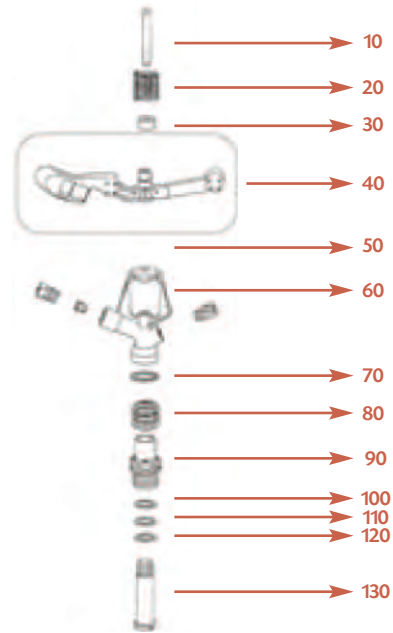




TABLES & PARTS

Technical guidance table VYR-36

| NOZZLE | Spacing (m) / Precipit. rate (mm/h) Spacing (ft) / Precipit. rate (in/h) | | | | | | |
|--------------------------------|---|----------------|----------------|----------------|--------------------|--------------------|----------------|
| | BAR PSI | 12x12 40x40 | 12x15 40x50 | 15x15 50x50 | 15x15 T 50x50 T | 15x18 T 50x60 T | 18x18 60x60 |
| 3,6 x 2,4 mm 9/64" x 3/32" | 3 | 8,5 | 6,8 | 5,4 | 5 | 3,7 | 3,8 |
| | 44 | 0,33 | 0,27 | 0,21 | 0,20 | 0,15 | 0,15 |
| | 51 | 0,36 | 0,29 | 0,23 | 0,21 | 0,16 | 0,16 |
| 4 x 2,4 mm 5/32" x 3/32" | 4 | 9,8 | 7,9 | 6,3 | 5,8 | 4,3 | 4,4 |
| | 58 | 0,39 | 0,31 | 0,25 | 0,23 | 0,17 | 0,17 |
| | 44 | 0,39 | 0,31 | 0,25 | 0,23 | 0,17 | 0,17 |
| 4,4 x 2,4 mm 11/64" x 3/32" | 3 | 9,9 | 7,9 | 6,3 | 5,9 | 4,3 | 4,4 |
| | 44 | 0,39 | 0,31 | 0,25 | 0,23 | 0,17 | 0,17 |
| | 51 | 0,42 | 0,34 | 0,27 | 0,25 | 0,19 | 0,19 |
| 4,8 x 3,2 mm 3/16" x 1/8" | 4 | 11,4 | 9,1 | 7,1 | 6,8 | 5 | 5,1 |
| | 58 | 0,45 | 0,36 | 0,28 | 0,27 | 0,20 | 0,20 |
| | 3 | 12,2 | 9,9 | 7,3 | 7 | 5,8 | 4,8 |
| 3,6 x 2,4 mm 9/64" x 3/32" | 44 | 0,48 | 0,39 | 0,29 | 0,28 | 0,23 | 0,19 |
| | 3,5 | 13,1 | 10,8 | 7,1 | 7,5 | 6 | 5 |
| | 51 | 0,52 | 0,43 | 0,28 | 0,30 | 0,24 | 0,20 |
| 4,4 x 2,4 mm 11/64" x 3/32" | 4 | 14 | 11,9 | 8,3 | 8 | 7,2 | 5,4 |
| | 58 | 0,55 | 0,47 | 0,33 | 0,31 | 0,28 | 0,21 |
| | 3 | 15,1 | 12,1 | 9,7 | 9 | 6,6 | 6,7 |
| 4,8 x 3,2 mm 3/16" x 1/8" | 44 | 0,59 | 0,48 | 0,38 | 0,35 | 0,26 | 0,26 |
| | 3,5 | 16,3 | 13,1 | 10,5 | 9,7 | 7,1 | 7,3 |
| | 51 | 0,64 | 0,52 | 0,41 | 0,38 | 0,28 | 0,29 |
| 3,6 x 2,4 mm 9/64" x 3/32" | 4 | 17,5 | 14 | 11,2 | 10,3 | 7,6 | 7,8 |
| | 58 | 0,69 | 0,55 | 0,44 | 0,41 | 0,30 | 0,31 |



T: Triang. CU < 85% CU 85-88% CU 88-92% CU > 92%

Performance nozzle table VYR-36

Long range nozzle (long vane) + plug

Standard Ø: Diameter range

| NOZZLE | 3,2 mm 17/128" | | 3,6 mm 9/64" | | 4 mm 5/32" | | 4,4 mm 11/64" | | 4,8 mm 3/16" | | 5,2 mm 13/64" | | 5,6 mm 7/32" | |
|--------|-------------------|------------|-----------------|------------|---------------|------------|------------------|------------|-----------------|------------|------------------|------------|-----------------|------------|
| | BAR PSI | L/H GPH | Ø m Ø ft | L/H GPH | Ø m Ø ft | L/H GPH | Ø m Ø ft | L/H GPH | Ø m Ø ft | L/H GPH | Ø m Ø ft | L/H GPH | Ø m Ø ft | L/H GPH |
| 2 | 565 | 26 | 760 | 26,5 | 883 | 27,5 | 1069 | 28,5 | 1272 | 30 | 1493 | 31 | 1732 | 32 |
| 29 | 149 | 85 | 201 | 87 | 233 | 90 | 282 | 94 | 336 | 98 | 394 | 102 | 458 | 105 |
| 2,5 | 620 | 26 | 790 | 26,5 | 970 | 27,5 | 1160 | 29 | 1390 | 31 | 1640 | 31,5 | 1720 | 33 |
| 36 | 164 | 85 | 209 | 87 | 256 | 90 | 306 | 95 | 367 | 102 | 433 | 103 | 454 | 108 |
| 3 | 680 | 26 | 860 | 26,5 | 1050 | 28 | 1270 | 29,5 | 1510 | 32 | 1790 | 32,5 | 1880 | 34 |
| 44 | 180 | 85 | 227 | 87 | 277 | 92 | 335 | 97 | 399 | 105 | 473 | 107 | 497 | 112 |
| 3,5 | 740 | 26,5 | 930 | 27 | 1140 | 29,5 | 1380 | 31 | 1640 | 33 | 1930 | 33,5 | 2140 | 35 |
| 51 | 195 | 87 | 246 | 89 | 301 | 97 | 365 | 102 | 433 | 108 | 510 | 110 | 565 | 115 |
| 4 | 790 | 26,5 | 1000 | 28 | 1220 | 29,5 | 1470 | 32 | 1750 | 33,5 | 2060 | 34,5 | 2240 | 36 |
| 58 | 209 | 87 | 264 | 92 | 322 | 97 | 388 | 105 | 462 | 110 | 544 | 113 | 592 | 118 |
| 4,5 | 840 | 27 | 1060 | 29 | 1290 | 30 | 1550 | 32,5 | 1860 | 34 | 2180 | 35 | 2410 | 36,5 |
| 65 | 222 | 89 | 280 | 95 | 341 | 98 | 409 | 107 | 491 | 112 | 576 | 115 | 637 | 120 |
| 5 | 880 | 27,5 | 1120 | 29,5 | 1360 | 30,5 | 1640 | 33 | 1960 | 34,5 | 2290 | 35,5 | 2520 | 37,5 |
| 73 | 232 | 90 | 296 | 97 | 359 | 100 | 433 | 108 | 518 | 113 | 605 | 116 | 666 | 123 |
| 5,5 | 930 | 28 | 1170 | 30 | 1430 | 31 | 1720 | 34 | 2060 | 36 | 2380 | 36 | 2640 | 39 |
| 80 | 246 | 92 | 309 | 98 | 378 | 102 | 454 | 112 | 544 | 118 | 629 | 118 | 697 | 128 |



- In shady areas is highly recommended the use of low pressure orange vane.
- Sprinklers will be supplied with standard nozzles unless otherwise specified.
- In order to calculate the flow, add the flows of the two nozzles. The range of the rear nozzle must be less than that of the main nozzle.
- These results has benn obtained at indoor laboratory with 0 m/seg win velocity. Outdoor results may change range distances.

(Sprinkler at 1 meter height)

Long range nozzle (long vane) + short range nozzle

| NOZZLE | 2,8 x 2,4 mm 7/64 x 3/32" | | 3,2 x 2,4 mm 17/128 x 3/32" | | 3,6 x 2,4 mm 9/64 x 3/32" | | 4 x 2,4 mm 5/32 x 3/32" | | 4,4 x 2,4 mm 11/64 x 3/32" | | 4,4 x 2,8 mm 11/64 x 7/64" | | 4,8 x 2,4 mm 3/16 x 3/32" | | 4,8 x 2,8 mm 3/16 x 7/64" | | 4,8 x 3,2 mm 3/16 x 17/128" | | 5,2 x 3,2 mm 13/64 x 17/128" | | 5,6 x 3,2 mm 7/32 x 17/128" | |
|--------|------------------------------|------------|--------------------------------|------------|------------------------------|------------|----------------------------|------------|-------------------------------|------------|-------------------------------|------------|------------------------------|------------|------------------------------|------------|--------------------------------|------------|---------------------------------|------------|--------------------------------|------------|
| | BAR PSI | L/H GPH | Ø m Ø ft | L/H GPH | Ø m Ø ft | L/H GPH | Ø m Ø ft | L/H GPH | Ø m Ø ft | L/H GPH | Ø m Ø ft | L/H GPH | Ø m Ø ft | L/H GPH | Ø m Ø ft | L/H GPH | Ø m Ø ft | L/H GPH | Ø m Ø ft | L/H GPH | Ø m Ø ft | L/H GPH |
| 2 | 700 | 23 | 883 | 26 | 1034 | 26,5 | 1201 | 27,5 | 1387 | 28,5 | 1502 | 28,5 | 1560 | 30 | 1705 | 30 | 1837 | 30 | 2058 | 31 | 2297 | 32 |
| 29 | 185 | 75 | 233 | 85 | 273 | 85 | 317 | 90 | 366 | 94 | 397 | 94 | 412 | 98 | 450 | 98 | 485 | 30 | 544 | 102 | 607 | 105 |
| 2,5 | 830 | 24 | 980 | 26 | 1150 | 26,5 | 1320 | 27,5 | 1520 | 29 | 1730 | 30,60 | 1750 | 31 | 1895 | 31 | 2050 | 31 | 2310 | 31,5 | 2460 | 33 |
| 36 | 219 | 79 | 259 | 85 | 304 | 87 | 349 | 90 | 402 | 95 | 457 | 100 | 462 | 102 | 501 | 102 | 542 | 102 | 610 | 103 | 650 | 108 |
| 3 | 900 | 24 | 1070 | 26 | 1250 | 26,5 | 1450 | 28 | 1670 | 29,5 | 1800 | 31,60 | 1920 | 32 | 2100 | 32 | 2240 | 32 | 2520 | 32,5 | 2730 | 34 |
| 44 | 238 | 79 | 283 | 85 | 330 | 87 | 383 | 92 | 441 | 97 | 476 | 104 | 507 | 105 | 555 | 105 | 592 | 105 | 666 | 107 | 721 | 112 |
| 3,5 | 965 | 24,5 | 1160 | 26,5 | 1350 | 27 | 1560 | 29,5 | 1800 | 31 | 1915 | 32 | 2050 | 33 | 2255 | 33 | 2420 | 33 | 2720 | 33,5 | 2915 | 35 |
| 51 | 255 | 80 | 316 | 87 | 350 | 89 | 412 | 97 | 476 | 102 | 506 | 105 | 542 | 108 | 596 | 108 | 639 | 108 | 719 | 110 | 770 | 115 |
| 4 | 1050 | 24,5 | 1240 | 26,5 | 1450 | 28 | 1670 | 29,5 | 1920 | 32 | 2070 | 32,4 | 2180 | 33,5 | 2400 | 33,5 | 2590 | 33,5 | 2910 | 34,5 | 3035 | 36 |
| 58 | 277 | 80 | 328 | 87 | 383 | 92 | 441 | 97 | 507 | 105 | 547 | 106 | 576 | 110 | 634 | 110 | 684 | 110 | 769 | 113 | 802 | 118 |
| 4,5 | 1100 | 25 | 1320 | 27 | 1540 | 29 | 1770 | 30 | 2030 | 32,5 | 2165 | 33 | 2300 | 34 | 2545 | 34 | 2750 | 34 | 3070 | 35 | 3170 | 36,5 |
| 65 | 291 | 82 | 349 | 89 | 407 | 95 | 468 | 98 | 536 | 107 | 572 | 108 | 608 | 112 | 672 | 112 | 726 | 112 | 811 | 115 | 837 | 120 |
| 5 | 1160 | 25,5 | 1360 | 27,5 | 1620 | 29,5 | 1870 | 30,5 | 2140 | 33 | 2300 | 33,4 | 2430 | 34,5 | 2680 | 34,5 | 2880 | 34,5 | 3230 | 35,5 | 3300 | 37,5 |
| 73 | 306 | 84 | 359 | 90 | 428 | 97 | 494 | 101 | 565 | 108 | 608 | 110 | 642 | 113 | 708 | 113 | 761 | 113 | 853 | 116 | 872 | 123 |
| 5,5 | 1200 | 26 | 1460 | 28 | 1700 | 30 | 1960 | 31 | 2240 | 34 | 2400 | 33,8 | 2510 | 36 | 2810 | 36 | 3010 | 36 | 3360 | 36 | 3430 | 39 |
| 80 | 317 | 85 | 386 | 92 | 449 | 98 | 518 | 102 | 592 | 112 | 634 | 111 | 663 | 118 | 742 | 118 | 795 | 118 | 888 | 118 | 906 | 128 |

(Sprinkler at 1 meter height)

VYR-37



VYR-37 · Full circle AG

GENERAL PROPERTIES:

- Medium flow agricultural impact sprinkler.
- 3/4" male or female connection.
- Colour-coded "click" bayonet nozzles.
- Made of plastic and stainless steel.
- High-resistance rotating joints.
- Nozzle angles of 25° and 25°
- Body specially designed for bayonet nozzles.
- Plastic sprinkler, leader in the agricultural market.

TECHNICAL SPECIFICATIONS:

- Range distance: 13 - 18 m / 43-60 ft.
- Flow: 660 - 3270 L/H / 175-864 GPH
- Working pressure: 1,75 - 4,5 BAR / 25-65 PSI.
- Area: Full circle.
- Nozzles: Two nozzles: one main nozzle and a secondary nozzle or plug.
- Trajectory angles: 25° and 25°
- Maximum stream height: 4.0 m / 13 ft.
- Rotation time: Depending on the pressure and the nozzles, the rotation will be constant and continuous.
- Uniformity coefficient higher than 90% in areas of 16x16R, 15x18T and 16x16T (meters).

Ref. 102660



Tool for bayonet nozzles

APPLICATIONS:

- This model is compatible with almost any type of crop and with a wide range of pluviometric and spacing conditions, suitable for a large number of different crop types.
- Horticultural plantations, cereals, tubers, leguminous plants and fruit trees.

MEASUREMENTS:

- Height: 14 cm / 5,5 in.
- Width: 17 cm / 6,7 in.
- Weight: 150 g / 0,33 Lbs.
- Units per box: 100

OPTIONS:

- Threads in BSP or NPT under demand.
- Models with male or female connection.
- Assembled on a pressure regulator for self-compensation of pressure and flow.

MODELS:

- Ref. 003701: Male, without weights.
- Ref. 003702: Female, without weights.
- Ref. 003703: Male + AF CONNECTION, without weights.
- Ref. 003704: Female + AF CONNECTION, without weights.

- Ref. 003711: Male, with weights.
- Ref. 003712: Female, with weights.
- Ref. 003713: Male + AF CONNECTION, with weights.
- Ref. 003714: Female + AF CONNECTION, with weights.

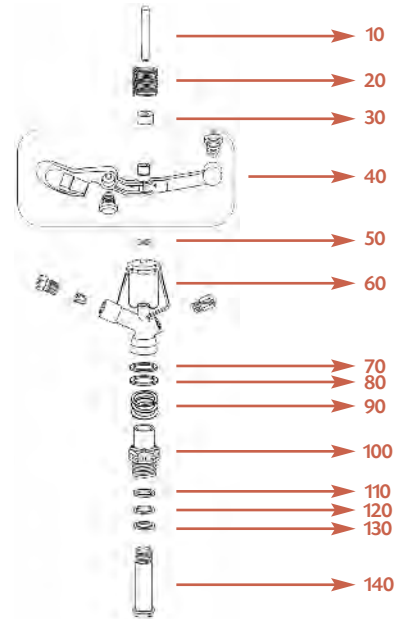


TABLES & PARTS

Technical guidance table VYR-37

| NOZZLE | Spacing (m) / Precipit. rate (mm/h) Spacing (ft) / Precipit. rate (in/h) | | | | | | |
|-------------------------------|---|--------------------|----------------|--------------------|----------------|----------------|--------------------|
| | BAR PSI | 12x12 T 40x40 T | 12x15 40x50 | 12x15 T 40x50 T | 15x15 50x50 | 15x18 50x60 | 18x18 T 60x60 T |
| 3,6 x 2,6 mm 9/64" x 3/32" | 2 | 7,5 | 5,2 | 6 | 4,1 | 3,4 | 3,3 |
| | 29 | 0,30 | 0,20 | 0,24 | 0,16 | 0,13 | 0,13 |
| | 3 | 9,3 | 6,5 | 7,5 | 5,2 | 4,3 | 4,2 |
| 4 x 2,6 mm 5/32" x 3/32" | 44 | 0,37 | 0,26 | 0,30 | 0,20 | 0,17 | 0,17 |
| | 4 | 9,6 | 6,7 | 7,7 | 5,3 | 4,4 | 4,3 |
| | 58 | 0,38 | 0,26 | 0,30 | 0,21 | 0,17 | 0,17 |
| 4,8 x 2,6 mm 3/16" x 3/32" | 2 | 8,8 | 6,1 | 7 | 4,9 | 4 | 3,9 |
| | 29 | 0,35 | 0,24 | 0,28 | 0,19 | 0,16 | 0,15 |
| | 3 | 10,6 | 7,4 | 8,5 | 5,9 | 4,9 | 4,7 |
| 5/32" x 3/32" | 44 | 0,42 | 0,29 | 0,33 | 0,23 | 0,19 | 0,19 |
| | 4 | 11,3 | 7,8 | 9 | 6,2 | 5,2 | 5 |
| | 58 | 0,44 | 0,31 | 0,35 | 0,24 | 0,20 | 0,20 |
| 4,8 x 2,6 mm 3/16" x 3/32" | 2 | 11,3 | 7,9 | 9,1 | 6,3 | 5,2 | 5,1 |
| | 29 | 0,44 | 0,31 | 0,36 | 0,25 | 0,20 | 0,20 |
| | 3 | 14,2 | 9,8 | 11,3 | 7,9 | 6,6 | 6,3 |
| 3/16" x 3/32" | 44 | 0,56 | 0,39 | 0,44 | 0,31 | 0,26 | 0,25 |
| | 4 | 15,6 | 10,8 | 12,5 | 8,7 | 7,2 | 6,9 |
| | 58 | 0,61 | 0,43 | 0,49 | 0,34 | 0,28 | 0,27 |

T: Triang. CU < 85% CU 85-88% CU 88-92% CU > 92%



Performance nozzle table VYR-37

Long range nozzle (long vane) + plug

Standard Ø: Diameter range

| NOZZLE | 3,6 mm 9/64" | | 4 mm 5/32" | | 4,4 mm 11/64" | | 4,8 mm 3/16" | | 5,2 mm 13/64" | |
|--------|-----------------|-------------|---------------|-------------|------------------|-------------|-----------------|-------------|------------------|-------------|
| | L/H GPH | Ø m Ø ft | L/H GPH | Ø m Ø ft | L/H GPH | Ø m Ø ft | L/H GPH | Ø m Ø ft | L/H GPH | Ø m Ø ft |
| 2 | 695 | 26 | 930 | 26,5 | 1085 | 27,5 | 1290 | 29 | 1475 | 31 |
| 29 | 184 | 85 | 246 | 87 | 287 | 90 | 341 | 95 | 390 | 102 |
| 2,5 | 770 | 26 | 1045 | 26,5 | 1225 | 28 | 1430 | 29,5 | 1640 | 32 |
| 36 | 203 | 85 | 276 | 87 | 324 | 92 | 378 | 97 | 433 | 105 |
| 3 | 845 | 26,5 | 1150 | 27 | 1330 | 29,5 | 1570 | 31 | 1800 | 33 |
| 44 | 223 | 87 | 304 | 89 | 351 | 97 | 415 | 102 | 476 | 108 |
| 3,5 | 910 | 26,5 | 1240 | 28 | 1445 | 29,5 | 1670 | 32 | 1955 | 33,5 |
| 51 | 240 | 87 | 328 | 92 | 382 | 97 | 441 | 105 | 516 | 110 |
| 4 | 970 | 27 | 1320 | 29 | 1560 | 30 | 1825 | 32,5 | 2110 | 34 |
| 58 | 256 | 89 | 349 | 95 | 412 | 98 | 482 | 107 | 557 | 112 |
| 4,5 | 1025 | 27,5 | 1415 | 29,5 | 1662 | 30,5 | 1950 | 33 | 2225 | 34,5 |
| 65 | 271 | 90 | 374 | 97 | 439 | 100 | 515 | 108 | 588 | 113 |

(Sprinkler at 1 meter height)

Long range nozzle (long vane) + short range nozzle

| NOZZLE | 3,6 x 2,6 mm 9/64 x 3/32" | | 4 x 2,6 mm 5/32 x 3/32" | | 4,4 x 2,6 mm 11/64 x 3/32" | | 4,8 x 3,2 mm 3/16 x 17/128" | | 5,2 x 3,2 mm 13/64 x 17/128" | |
|--------|------------------------------|-------------|----------------------------|-------------|-------------------------------|-------------|--------------------------------|-------------|---------------------------------|-------------|
| | L/H GPH | Ø m Ø ft | L/H GPH | Ø m Ø ft | L/H GPH | Ø m Ø ft | L/H GPH | Ø m Ø ft | L/H GPH | Ø m Ø ft |
| 2 | 1010 | 26 | 1230 | 26,5 | 1375 | 27,5 | 1770 | 29 | 1980 | 31 |
| 29 | 267 | 85 | 325 | 87 | 363 | 90 | 468 | 95 | 523 | 102 |
| 2,5 | 1115 | 26 | 1390 | 26,5 | 1535 | 28 | 2010 | 29,5 | 2210 | 32 |
| 36 | 295 | 85 | 367 | 87 | 406 | 92 | 531 | 97 | 584 | 105 |
| 3 | 1220 | 26,5 | 1535 | 27 | 1715 | 29,5 | 2230 | 31 | 2430 | 33 |
| 44 | 322 | 87 | 406 | 89 | 453 | 97 | 589 | 102 | 642 | 108 |
| 3,5 | 1320 | 26,5 | 1655 | 28 | 1860 | 29,5 | 2375 | 32 | 2660 | 33,5 |
| 51 | 349 | 87 | 437 | 92 | 491 | 97 | 627 | 105 | 703 | 110 |
| 4 | 1430 | 27 | 1770 | 29 | 1990 | 30 | 2550 | 32,5 | 2845 | 34 |
| 58 | 378 | 89 | 468 | 95 | 526 | 98 | 674 | 107 | 752 | 112 |
| 4,5 | 1500 | 27,5 | 1860 | 29,5 | 2100 | 30,5 | 2730 | 33 | 3000 | 34,5 |
| 65 | 396 | 90 | 491 | 97 | 555 | 100 | 721 | 108 | 793 | 113 |

(Sprinkler at 1 meter height)

- For optimum distribution avoid use in shady areas.
- Sprinklers will be supplied with standard nozzles unless otherwise specified.
- In order to calculate the flow, add the flows of the two nozzles. The range of the rear nozzle must be less than that of the main nozzle.
- These results has benn obtained at indoor laboratory with 0 m/seg win velocity. Outdoor results may change range distances.

New arm low pressure



Deflector blade for low pressure.



New female reinforced racord.



VYR-46



WIND-FIGHTER Design

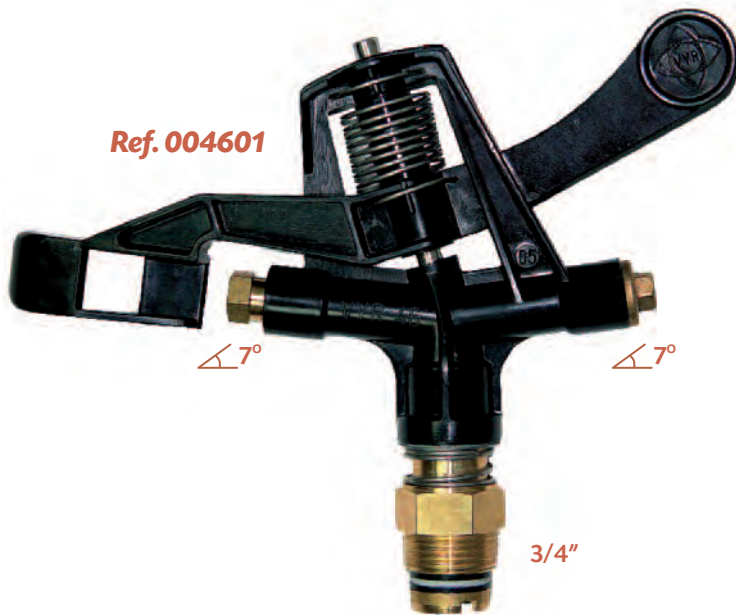


Ref. 004600

7°

7°

3/4"



Ref. 004601

7°

7°

3/4"



VYR-46 · Full circle AG

GENERAL PROPERTIES:

- Medium flow and low angle agricultural impact sprinkler "WIND FIGHTER".
- 3/4" male or female connection.
- Made of plastic, brass and stainless steel.
- High-resistance rotating joints.
- Nozzle angles of 7° and 7°
- Specially designed for greater reach on Pivots, windy areas or under-tree irrigation.

TECHNICAL SPECIFICATIONS:

- Range distance: 11.5 - 15.5 m / 38-51 ft.
- Flow: 310 - 3520 L/H / 82 - 930 GPH.
- Working pressure: 1.75 - 4.5 BAR / 25 - 65 PSI.
- Area: Full circle.
- Nozzles: Two nozzles: one main nozzle and a secondary nozzle or plug.
- Trajectory angles: 7° and 7°
- Maximum stream height: 1.2 m / 3,9 ft.
- Rotation time: Depending on the pressure and the nozzles, the rotation will be constant and continuous.

APPLICATIONS:

- Horticultural plantations, cereals, tubers, leguminous plants and fruit trees.

MEASUREMENTS:

- Height: 14 cm / 5,5 in.
- Width: 19 cm / 7,5 in.
- Weight: 190 g / 0,42 Lbs.
- Units per box: 50

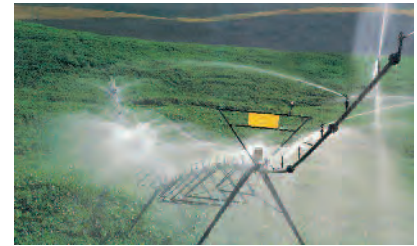
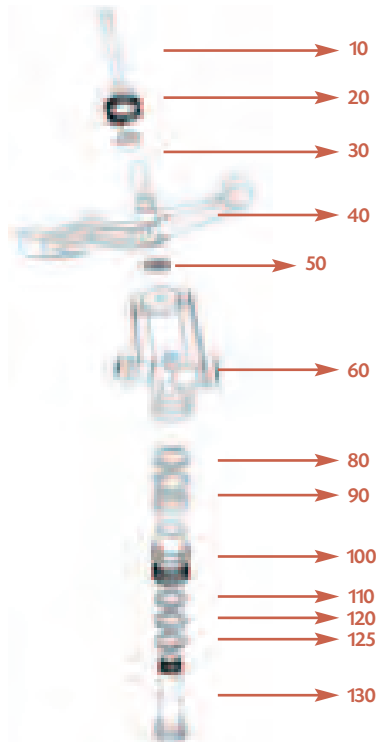
OPTIONS:

- Threads in BSP or NPT under demand.
- Secondary nozzle similar to the main nozzle.
- Connection coupling in plastic or brass.
- Assembled on a pressure regulator for self-compensation of pressure and flow.

MODELS:

- Ref. 004600: With plastic base.
- Ref. 004601: With brass male base.
- Ref. 004602: With brass female base.

TABLES & PARTS



Performance nozzle table VYR-46

Long range nozzle (long vane) + short range nozzle

| NOZZLE | 4 x 2,4 mm 5/32 x 3/32" | | 4,4 x 2,4 mm 11/64 x 3/32" | | 4,8 x 2,4 mm 3/16 x 3/32" | | 5,5 x 2,4 mm 7/32 x 3/32" | |
|--------|----------------------------|------------------------|-------------------------------|------------------------|------------------------------|------------------------|------------------------------|------------------------|
| | BAR PSI | L/H GPH Ø m Ø ft | L/H GPH Ø m Ø ft | L/H GPH Ø m Ø ft | L/H GPH Ø m Ø ft | L/H GPH Ø m Ø ft | L/H GPH Ø m Ø ft | L/H GPH Ø m Ø ft |
| 2 | 1150 | 23 | 1290 | 23 | 1560 | 23 | 1880 | 23 |
| 29 | 304 | 76 | 341 | 76 | 412 | 76 | 497 | 76 |
| 2,5 | 1310 | 24 | 1435 | 24 | 1750 | 24 | 2090 | 24 |
| 36 | 346 | 79 | 379 | 79 | 462 | 79 | 552 | 79 |
| 3 | 1420 | 24 | 1550 | 24 | 1920 | 24 | 2290 | 24 |
| 44 | 375 | 79 | 409 | 79 | 507 | 79 | 605 | 79 |
| 3,5 | 1530 | 25 | 1660 | 25 | 2050 | 25 | 2460 | 25 |
| 51 | 404 | 82 | 439 | 82 | 542 | 82 | 650 | 82 |
| 4 | 1630 | 26 | 1770 | 26 | 2180 | 26 | 2620 | 26 |
| 58 | 431 | 85 | 468 | 85 | 576 | 85 | 692 | 85 |
| 4,5 | 1720 | 26 | 1870 | 26 | 2300 | 26 | 2770 | 26 |
| 65 | 454 | 85 | 494 | 85 | 608 | 85 | 732 | 85 |
| 5 | 1800 | 26 | 1970 | 26 | 2430 | 26 | 2920 | 26 |
| 58 | 476 | 85 | 520 | 85 | 642 | 85 | 771 | 85 |

(Sprinkler at 1 meter height)

- For optimum distribution avoid use in shady areas.
- Sprinklers will be supplied with standard nozzles unless otherwise specified.
- In order to calculate the flow, add the flows of the two nozzles. The range of the rear nozzle must be less than that of the main nozzle.
- These results has been obtained at indoor laboratory with 0 m/seg win velocity. Outdoor results may change range distances.

Long range nozzle (long vane) + plug

| NOZZLE | 2,8 mm 7/64" | | 3,2 mm 1/8" | | 3,6 mm 9/64" | | 4 mm 5/32" | | 4,4 mm 11/64" | | 4,8 mm 3/16" | | 5,2 mm 13/64" | | 5,5 mm 7/32" | | 6 mm 15/64" | | 6,4 mm 1/4" | | 6,8 mm 17/64" | |
|--------|-----------------|------------------------|------------------------|------------------------|------------------------|------------------------|------------------------|------------------------|------------------------|------------------------|------------------------|------------------------|------------------------|------------------------|------------------------|------------------------|------------------------|------------------------|------------------------|------------------------|------------------------|------|
| | BAR PSI | L/H GPH Ø m Ø ft | L/H GPH Ø m Ø ft | L/H GPH Ø m Ø ft | L/H GPH Ø m Ø ft | L/H GPH Ø m Ø ft | L/H GPH Ø m Ø ft | L/H GPH Ø m Ø ft | L/H GPH Ø m Ø ft | L/H GPH Ø m Ø ft | L/H GPH Ø m Ø ft | L/H GPH Ø m Ø ft | L/H GPH Ø m Ø ft | L/H GPH Ø m Ø ft | L/H GPH Ø m Ø ft | L/H GPH Ø m Ø ft | L/H GPH Ø m Ø ft | L/H GPH Ø m Ø ft | L/H GPH Ø m Ø ft | L/H GPH Ø m Ø ft | L/H GPH Ø m Ø ft | |
| 1 | 310 | 23 | 400 | 23 | 510 | 23 | | | | | | | | | | | | | | | | |
| 15 | 82 | 75 | 106 | 75 | 135 | 75 | | | | | | | | | | | | | | | | |
| 1,5 | 380 | 24 | 500 | 25 | 620 | 25 | | | | | | | | | | | | | | | | |
| 22 | 100 | 79 | 132 | 82 | 164 | 82 | | | | | | | | | | | | | | | | |
| 2 | 440 | 25,5 | 560 | 26 | 710 | 26,5 | | | | | | | | | | | | | | | | |
| 29 | 116 | 84 | 148 | 85 | 188 | 87 | | | | | | | | | | | | | | | | |
| 2,5 | 480 | 26 | 630 | 26,5 | 780 | 27,5 | 950 | 23 | 1140 | 23 | 1360 | 24 | 1610 | 24,5 | 1880 | 25 | 2150 | 26 | 2450 | 26 | 2750 | 27 |
| 36 | 127 | 85 | 166 | 87 | 206 | 90 | 251 | 75 | 301 | 75 | 359 | 79 | 425 | 80 | 497 | 82 | 568 | 85 | 647 | 85 | 726 | 89 |
| 3 | 520 | 27 | 680 | 27,5 | 850 | 28 | 1050 | 24,5 | 1300 | 25 | 1530 | 25,5 | 1800 | 26 | 2090 | 27,5 | 2400 | 27 | 2700 | 27,5 | 3020 | 28 |
| 44 | 137 | 89 | 180 | 90 | 225 | 92 | 277 | 80 | 343 | 82 | 404 | 84 | 476 | 85 | 552 | 90 | 634 | 89 | 713 | 90 | 798 | 92 |
| 3,5 | 550 | 28 | 720 | 28 | 920 | 28,5 | 1140 | 26 | 1360 | 26 | 1650 | 26,5 | 1940 | 27 | 2250 | 28 | 2570 | 28 | 2950 | 28,5 | 3300 | 29,5 |
| 51 | 145 | 92 | 190 | 92 | 243 | 94 | 301 | 85 | 359 | 85 | 436 | 87 | 512 | 89 | 594 | 92 | 679 | 92 | 779 | 94 | 872 | 97 |
| 4 | | | | | | | 1200 | 25 | 1470 | 27 | 1750 | 27,5 | 2050 | 28 | 2400 | 28,5 | 2750 | 29 | 3150 | 30 | 3520 | 30,5 |
| 58 | | | | | | | 317 | 82 | 388 | 89 | 462 | 90 | 542 | 92 | 634 | 94 | 726 | 95 | 832 | 98 | 930 | 100 |

Standard Ø: Diameter range

(Sprinkler at 1 meter height)

VYR-56



VYR-56 · Agrícolas circulares

GENERAL PROPERTIES:

- Medium flow agricultural impact sprinkler.
- 3/4" male or female connection.
- Made of plastic and stainless steel.
- High-resistance rotating joints.
- Nozzle angles of 24° and 27°
- Special design for long reach.
- Used in full coverage irrigation with medium-high flow.

TECHNICAL SPECIFICATIONS:

- Range distance: 13 - 18 m. / 43 - 59 ft.
- Flow: 660 - 3270 L/H / 175-864 GPH
- Working pressure: 1,75 - 4,5 BAR / 25-65 PSI.
- Area: Full circle.
- Nozzles: Two nozzles: one main nozzle and a secondary deflector nozzle or plug.
- Trajectory angles: 24° and 27°
- Maximum stream height: 4,2 m / 14 ft.
- Rotation time: Depending on the pressure and the nozzles, the rotation will be constant and continuous.
- Uniformity coefficient higher than 90% in areas of 18x18R, 18x18T, 20x18T and 20x20T (metros).

APPLICATIONS:

- Horticultural plantations, cereals, tubers, leguminous plants and fruit trees.

MEASUREMENTS:

- Height: 14 cm / 5,5 in.
- Width: 19 cm / 7,5 in.
- Weight: 190 g / 0,42 Lbs.
- Units per box: 100

OPTIONS:

- Threads in BSP or NPT under demand.
- Secondary nozzle with deflector slot or plug.
- Assembled on a pressure regulator for self-compensation of pressure and flow.

MODELS:

- Ref. 005600: 3/4" male.
- Ref. 005620: 3/4" female.
- Ref. 005610: 3/4" macho +
- Ref. 005621: 3/4" hembra + capuchón AF.



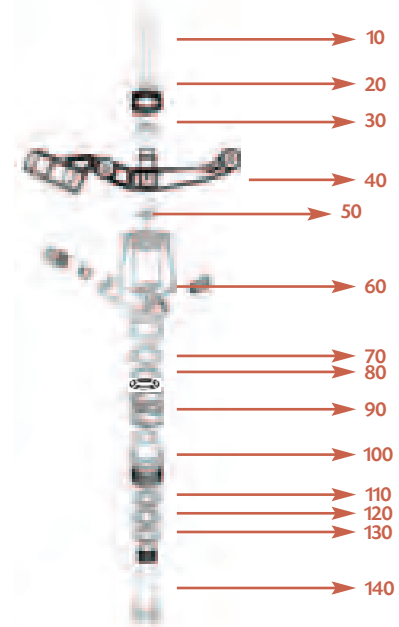


TABLES & PARTS

Technical guidance table VYR-56

| NOZZLE | Spacing (m) / Precipit. rate (mm/h) Spacing (ft) / Precipit. rate (in/h) | | | | | | |
|---------------------------------|---|--------------------|--------------------|----------------|--------------------|----------------|----------------|
| | BAR PSI | 15x15 T 50x50 T | 15x18 T 50x60 T | 18x18 60x60 | 18x18 T 60x60 T | 18x20 60x66 | 20x20 66x66 |
| 4 x 2,4 mm 5/32" x 3/32" | 3 | 5,9 | 4,3 | 4,4 | 4,1 | 4 | |
| | 44 | 0,23 | 0,17 | 0,17 | 0,16 | 0,16 | |
| 5/32" x 3/32" | 3,5 | 6,3 | 4,7 | 4,8 | 4,4 | 4,3 | 3,9 |
| | 51 | 0,25 | 0,19 | 0,19 | 0,17 | 0,17 | 0,15 |
| 4,4 x 2,4 mm 11/64" x 3/32" | 4 | 6,8 | 5 | 5,1 | 4,7 | 4,6 | 4,1 |
| | 58 | 0,27 | 0,20 | 0,20 | 0,19 | 0,18 | 0,16 |
| 4,4 x 2,4 mm 11/64" x 3/32" | 3 | 6,8 | 5 | 5,1 | 4,7 | 4,6 | 4,1 |
| | 44 | 0,27 | 0,20 | 0,20 | 0,19 | 0,18 | 0,16 |
| 11/64" x 3/32" | 3,5 | 7,3 | 5,4 | 5,5 | 5,1 | 4,9 | 4,4 |
| | 51 | 0,29 | 0,21 | 0,22 | 0,20 | 0,19 | 0,17 |
| 4,8 x 3,2 mm 3/16" x 17/128" | 4 | 7,8 | 5,8 | 5,9 | 5,4 | 5,3 | 4,8 |
| | 58 | 0,31 | 0,23 | 0,23 | 0,21 | 0,21 | 0,19 |
| 4,8 x 3,2 mm 3/16" x 17/128" | 3 | 9 | 6,6 | 6,7 | 6,2 | 6,1 | 5,5 |
| | 44 | 0,35 | 0,26 | 0,26 | 0,24 | 0,24 | 0,22 |
| 3/16" x 17/128" | 3,5 | 9,7 | 7,1 | 7,3 | 6,7 | 6,5 | 5,9 |
| | 51 | 0,38 | 0,28 | 0,29 | 0,26 | 0,26 | 0,23 |
| 3/16" x 17/128" | 4 | 10,3 | 7,6 | 7,8 | 7,2 | 7 | 6,3 |
| | 58 | 0,41 | 0,30 | 0,31 | 0,28 | 0,28 | 0,25 |

T: Triang. CU < 85% CU 85-88% CU 88-92% CU > 92%



Performance nozzle table VYR-56

Long range nozzle (long vane) + plug

| NOZZLE | 3,2 mm 1/8" | | 3,6 mm 9/64" | | 4 mm 5/32" | | 4,4 mm 11/64" | | 4,8 mm 3/16" | | 5,2 mm 13/64" | |
|--------|----------------|--------------------|--------------------|-------------|--------------------|-------------|--------------------|-------------|--------------------|-------------|--------------------|-------------|
| | BAR PSI | L/H GPH Ø ft | L/H GPH Ø ft | Ø m Ø ft | L/H GPH Ø ft | Ø m Ø ft | L/H GPH Ø ft | Ø m Ø ft | L/H GPH Ø ft | Ø m Ø ft | L/H GPH Ø ft | Ø m Ø ft |
| 2,5 | 620 | 26,8 | 790 | 28,4 | 970 | 30,2 | 1160 | 31 | 1390 | 31,8 | 1640 | 32,6 |
| 36 | 164 | 88 | 209 | 93 | 256 | 99 | 306 | 102 | 367 | 104 | 433 | 107 |
| 3 | 680 | 27,4 | 860 | 28,8 | 1050 | 30,6 | 1270 | 31,8 | 1510 | 32,8 | 1790 | 33,8 |
| 44 | 180 | 90 | 227 | 94 | 277 | 100 | 335 | 104 | 399 | 108 | 473 | 111 |
| 3,5 | 740 | 27,8 | 930 | 29,4 | 1140 | 31,2 | 1380 | 32,4 | 1640 | 33,6 | 1930 | 34,8 |
| 51 | 195 | 91 | 246 | 96 | 301 | 102 | 365 | 106 | 433 | 110 | 510 | 114 |
| 4 | 790 | 28,2 | 1000 | 29,8 | 1220 | 31,6 | 1470 | 32,8 | 1750 | 34 | 2060 | 35,6 |
| 58 | 209 | 93 | 264 | 98 | 322 | 104 | 388 | 108 | 462 | 112 | 544 | 117 |
| 4,5 | 840 | 28,6 | 1060 | 30,2 | 1290 | 32 | 1550 | 33,2 | 1860 | 34,4 | 2180 | 36 |
| 65 | 222 | 94 | 280 | 99 | 341 | 105 | 409 | 109 | 491 | 113 | 576 | 118 |
| 5 | 880 | 29,2 | 1120 | 30,6 | 1360 | 32,4 | 1640 | 33,6 | 1960 | 35 | 2290 | 36,4 |
| 73 | 232 | 96 | 296 | 100 | 359 | 106 | 433 | 110 | 518 | 115 | 605 | 119 |
| 5,5 | 930 | 29,6 | 1170 | 31 | 1430 | 33 | 1720 | 34,2 | 2060 | 35,4 | 2380 | 36,8 |
| 80 | 246 | 97 | 309 | 102 | 378 | 108 | 454 | 112 | 544 | 116 | 629 | 121 |

(Sprinkler at 1 meter height)



- In shady areas is highly recommended the use of low pressure orange vane.
- Sprinklers will be supplied with standard nozzles unless otherwise specified.
- In order to calculate the flow add the flows of the two nozzles. The range of the rear nozzle must be less than that of the main nozzle.
- These results has been obtained at indoor laboratory with 0 m/seg win velocity. Outdoor results may change range distances.

Long range nozzle (long vane) + short range nozzle

| NOZZLE | 3,2 x 2,4 mm 17/128" x 3/32" | | 3,6 x 2,4 mm 9/64" x 3/32" | | 4 x 2,4 mm 5/32" x 3/32" | | 4,4 x 2,4 mm 11/64" x 3/32" | | 4,4 x 2,8 mm 11/64" x 7/64" | | 4,8 x 2,4 mm 3/16" x 3/32" | | 4,8 x 2,8 mm 3/16" x 7/64" | | 4,8 x 3,2 mm 3/16" x 17/128" | | 5,2 x 3,2 mm 13/64" x 17/128" | |
|--------|---------------------------------|--------------------|-------------------------------|-------------|-----------------------------|-------------|--------------------------------|-------------|--------------------------------|-------------|-------------------------------|-------------|-------------------------------|-------------|---------------------------------|-------------|----------------------------------|-------------|
| | BAR PSI | L/H GPH Ø ft | L/H GPH Ø ft | Ø m Ø ft | L/H GPH Ø ft | Ø m Ø ft | L/H GPH Ø ft | Ø m Ø ft | L/H GPH Ø ft | Ø m Ø ft | L/H GPH Ø ft | Ø m Ø ft | L/H GPH Ø ft | Ø m Ø ft | L/H GPH Ø ft | Ø m Ø ft | L/H GPH Ø ft | Ø m Ø ft |
| 2,5 | 980 | 26,5 | 1150 | 28,2 | 1320 | 30 | 1520 | 30,6 | 1730 | 30,6 | 1750 | 32,5 | 1895 | 32,5 | 2050 | 32,5 | 2310 | 32,4 |
| 36 | 259 | 87 | 304 | 93 | 348 | 98 | 401 | 100 | 457 | 100 | 462 | 107 | 500 | 107 | 541 | 107 | 610 | 106 |
| 3 | 1070 | 27 | 1250 | 28,6 | 1450 | 30,4 | 1670 | 31,6 | 1800 | 31,6 | 1920 | 33 | 2100 | 33 | 2240 | 33 | 2520 | 33,4 |
| 44 | 282 | 89 | 330 | 94 | 383 | 100 | 441 | 104 | 475 | 104 | 507 | 108 | 554 | 108 | 591 | 108 | 665 | 110 |
| 3,5 | 1160 | 27,4 | 1350 | 29 | 1560 | 30,8 | 1800 | 32 | 1915 | 32 | 2050 | 33,5 | 2255 | 33,5 | 2420 | 33,5 | 2720 | 34,2 |
| 51 | 306 | 90 | 356 | 95 | 412 | 101 | 475 | 105 | 506 | 105 | 541 | 110 | 595 | 110 | 639 | 110 | 718 | 112 |
| 4 | 1240 | 28 | 1450 | 29,4 | 1670 | 31,2 | 1920 | 32,4 | 2070 | 32,4 | 2180 | 34 | 2400 | 34 | 2590 | 34 | 2910 | 35 |
| 58 | 327 | 92 | 383 | 96 | 441 | 102 | 507 | 106 | 546 | 106 | 576 | 112 | 634 | 112 | 684 | 112 | 768 | 115 |
| 4,5 | 1320 | 28,4 | 1540 | 29,8 | 1770 | 31,8 | 2030 | 33 | 2165 | 33 | 2300 | 34,5 | 2545 | 34,5 | 2750 | 34,5 | 3070 | 35,4 |
| 65 | 348 | 93 | 407 | 98 | 467 | 104 | 536 | 108 | 572 | 108 | 607 | 113 | 672 | 113 | 726 | 113 | 810 | 116 |
| 5 | 1360 | 28,8 | 1620 | 30,4 | 1870 | 32,2 | 2140 | 33,4 | 2300 | 33,4 | 2430 | 35 | 2680 | 35 | 2880 | 35 | 3230 | 35,8 |
| 73 | 359 | 94 | 428 | 100 | 494 | 106 | 565 | 110 | 607 | 110 | 642 | 115 | 708 | 115 | 760 | 115 | 853 | 117 |
| 5,5 | 1460 | 29,2 | 1700 | 30,8 | 1960 | 32,6 | 2240 | 33,8 | 2400 | 33,8 | 2510 | 36 | 2810 | 36 | 3010 | 36 | 3360 | 36,2 |
| 80 | 385 | 96 | 449 | 101 | 517 | 107 | 591 | 111 | 634 | 111 | 663 | 118 | 742 | 118 | 795 | 118 | 887 | 119 |



Special nozzle for solid-set systems over 2 m height

Standard Ø: Diameter range

(Sprinkler at 1 meter height)

VYR-70



VYR-70 · Full Circle AG

GENERAL PROPERTIES:

- Medium flow agricultural impact sprinkler.
- 3/4" male or female connection.
- Made of brass and stainless steel.
- High-resistance rotating joints.
- Nozzle angles of 26° and 22°
- Special design for long reach.
- Used in full coverage irrigation with medium-high flow.

TECHNICAL SPECIFICATIONS:

- Range distance: 13 - 18 m. / 43 - 59 ft.
- Flow: 660 - 3270 L/H / 175-864 GPH
- Working pressure: 1,75 - 4,5 BAR / 25-65 PSI.
- Area: Full circle.
- Nozzles: Two nozzles: one main nozzle and a secondary deflector nozzle or plug.
- Trajectory angles: 26° and 22°
- Maximum stream height: 4.3 m / 14 ft.
- Rotation time: Depending on the pressure and the nozzles, the rotation will be constant and continuous.
- Uniformity coefficient higher than 90% in areas of 18x18R, 20x18T and 20x20T (meters).

APPLICATIONS:

- Horticultural plantations, cereals, tubers, leguminous plants and fruit trees.
- Used in all types of agricultural irrigation, generally with medium-high flows.

MEASUREMENTS:

- Height: 15 cm / 5,9 in.
- Width: 20 cm / 7,9 in.
- Weight: 548 g / 1,2 Lbs.
- Units per box: 50

OPTIONS:

- Threads in BSP or NPT under demand.
- Secondary nozzle with deflector slot or plug.
- Assembled on a pressure regulator for self-compensation of pressure and flow.

MODELS:

- Ref. 007001: 3/4" male.
- Ref. 007020: 3/4" female.

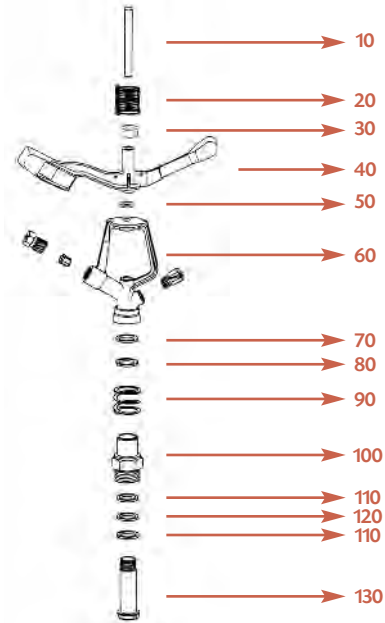


TABLES & PARTS

Technical guidance table VYR-70

| NOZZLE | Spacing (m) / Precipit. rate (mm/h) Spacing (ft) / Precipit. rate (in/h) | | | | | | |
|---------------------------------|---|--------------------|--------------------|----------------|--------------------|--------------------|----------------|
| | BAR PSI | 15x15 T 50x50 T | 18x18 T 60x60 T | 18x21 60x70 | 18x21 T 60x70 T | 21x21 T 70x70 T | 21x24 70x80 |
| 4,4 x 2,4 mm 3/32" x 11/64" | 3 | 5,5 | 4,7 | 4,4 | 3,6 | 3,7 | |
| | 44 | 0,20 | 0,19 | 0,17 | 0,14 | 0,15 | |
| | 3,5 | 5,4 | 5,1 | 3,9 | 3,9 | 4 | |
| 4,8 x 3,2 mm 3/16" x 17/128" | 51 | 0,21 | 0,20 | 0,19 | 0,15 | 0,16 | |
| | 4 | 5,8 | 5,4 | 4,2 | 4,2 | 4,3 | |
| | 58 | 0,23 | 0,21 | 0,20 | 0,17 | 0,17 | |
| 5,5 x 3,2 mm 7/32" x 17/128" | 3 | 6,6 | 6,2 | 4,8 | 4,8 | 4,9 | |
| | 44 | 0,26 | 0,24 | 0,23 | 0,19 | 0,19 | |
| | 3,5 | 7,1 | 6,7 | 5,2 | 5,2 | 5,3 | 4,7 |
| 7/32" x 17/128" | 51 | 0,28 | 0,26 | 0,24 | 0,20 | 0,21 | 0,19 |
| | 4 | 10,4 | 7,2 | 5,6 | 5,6 | 5,7 | 5 |
| | 58 | 0,30 | 0,28 | 0,26 | 0,22 | 0,22 | 0,20 |

T: Triang. CU < 85% CU 85-88% CU 88-92% CU > 92%



Special nozzle for solid-set systems over 2 m height

Performance nozzle table VYR-70

Long range nozzle (long vane) + plug

| NOZZLE | 4 mm 5/32" | | 4,4 mm 11/64" | | 4,8 mm 3/16" | | 5,2 mm 13/64" | |
|--------|---------------|---------------------------|---------------------------|---------------------------|---------------------------|---------------------------|---------------------------|---------------------------|
| | BAR PSI | L/H GPH Ø m Ø ft | L/H GPH Ø m Ø ft | L/H GPH Ø m Ø ft | L/H GPH Ø m Ø ft | L/H GPH Ø m Ø ft | L/H GPH Ø m Ø ft | L/H GPH Ø m Ø ft |
| 2,5 | 970 | 30,2 | 1160 | 31 | 1390 | 31,8 | 1640 | 32,6 |
| 36 | 256 | 99 | 306 | 102 | 367 | 104 | 433 | 107 |
| 3 | 1050 | 30,6 | 1270 | 31,8 | 1510 | 32,8 | 1790 | 33,8 |
| 44 | 277 | 100 | 335 | 104 | 399 | 108 | 473 | 111 |
| 3,5 | 1140 | 31,2 | 1380 | 32,4 | 1640 | 33,6 | 1930 | 34,8 |
| 51 | 301 | 102 | 365 | 106 | 433 | 110 | 510 | 114 |
| 4 | 1220 | 31,6 | 1470 | 32,8 | 1750 | 34 | 2060 | 35,6 |
| 58 | 322 | 104 | 388 | 108 | 462 | 112 | 544 | 117 |
| 4,5 | 1290 | 32 | 1550 | 33,2 | 1860 | 34,4 | 2180 | 36 |
| 65 | 341 | 105 | 409 | 109 | 491 | 113 | 576 | 118 |
| 5 | 1360 | 32,4 | 1640 | 33,6 | 1960 | 35 | 2290 | 36,4 |
| 73 | 359 | 106 | 433 | 110 | 518 | 115 | 605 | 119 |
| 5,5 | 1430 | 33 | 1720 | 34,2 | 2060 | 35,4 | 2380 | 36,8 |
| 80 | 378 | 108 | 454 | 112 | 544 | 116 | 629 | 121 |

(Sprinkler at 1 meter height)

- In shady areas is highly recommended the use of low pressure orange vane.
- Sprinklers will be supplied with standard nozzles unless otherwise specified.
- In order to calculate the flow add the flows of the two nozzles. The range of the rear nozzle must be less than that of the main nozzle.
- These results has been obtained at indoor laboratory with 0 m/seg win velocity. Outdoor results may change range distances.

Long range nozzle (long vane) + short range nozzle

| NOZZLE | 4 x 2,4 mm 5/32" x 3/32" | | 4,4 x 2,4 mm 11/64" x 3/32" | | 4,4 x 2,8 mm 11/64" x 7/64" | | 4,8 x 2,4 mm 3/16" x 3/32" | | 4,8 x 2,8 mm 3/16" x 7/64" | | 4,8 x 3,2 mm 3/16" x 17/128" | | 5,2 x 3,2 mm 13/64" x 17/128" | |
|--------|-----------------------------|---------------------------|--------------------------------|---------------------------|--------------------------------|---------------------------|-------------------------------|---------------------------|-------------------------------|---------------------------|---------------------------------|---------------------------|----------------------------------|---------------------------|
| | BAR PSI | L/H GPH Ø m Ø ft | L/H GPH Ø m Ø ft | L/H GPH Ø m Ø ft | L/H GPH Ø m Ø ft | L/H GPH Ø m Ø ft | L/H GPH Ø m Ø ft | L/H GPH Ø m Ø ft | L/H GPH Ø m Ø ft | L/H GPH Ø m Ø ft | L/H GPH Ø m Ø ft | L/H GPH Ø m Ø ft | L/H GPH Ø m Ø ft | L/H GPH Ø m Ø ft |
| 2,5 | 1320 | 30 | 1520 | 30,6 | 1730 | 30,6 | 1750 | 32,5 | 1895 | 32,5 | 2050 | 32,5 | 2310 | 32,4 |
| 36 | 348 | 98 | 401 | 100 | 457 | 100 | 462 | 107 | 500 | 107 | 541 | 107 | 610 | 106 |
| 3 | 1450 | 30,4 | 1670 | 31,6 | 1800 | 31,6 | 1920 | 33 | 2100 | 33 | 2240 | 33 | 2520 | 33,4 |
| 44 | 383 | 100 | 441 | 104 | 475 | 104 | 507 | 108 | 554 | 108 | 591 | 108 | 665 | 110 |
| 3,5 | 1560 | 30,8 | 1800 | 32 | 1915 | 32 | 2050 | 33,5 | 2255 | 33,5 | 2420 | 33,5 | 2720 | 34,2 |
| 51 | 412 | 101 | 475 | 105 | 506 | 105 | 541 | 110 | 595 | 110 | 639 | 110 | 718 | 112 |
| 4 | 1670 | 31,2 | 1920 | 32,4 | 2070 | 32,4 | 2180 | 34 | 2400 | 34 | 2590 | 34 | 2910 | 35 |
| 58 | 441 | 102 | 507 | 106 | 546 | 106 | 576 | 112 | 634 | 112 | 684 | 112 | 768 | 115 |
| 4,5 | 1770 | 31,8 | 2030 | 33 | 2165 | 33 | 2300 | 34,5 | 2545 | 34,5 | 2750 | 34,5 | 3070 | 35,4 |
| 65 | 467 | 104 | 536 | 108 | 572 | 108 | 607 | 113 | 672 | 113 | 726 | 113 | 810 | 116 |
| 5 | 1870 | 32,2 | 2140 | 33,4 | 2300 | 33,4 | 2430 | 35 | 2680 | 35 | 2880 | 35 | 3230 | 35,8 |
| 73 | 494 | 106 | 565 | 110 | 607 | 110 | 642 | 115 | 708 | 115 | 760 | 115 | 853 | 117 |
| 5,5 | 1960 | 32,6 | 2240 | 33,8 | 2400 | 33,8 | 2510 | 36 | 2810 | 36 | 3010 | 36 | 3360 | 36,2 |
| 80 | 517 | 107 | 591 | 111 | 634 | 111 | 663 | 118 | 742 | 118 | 795 | 118 | 887 | 119 |

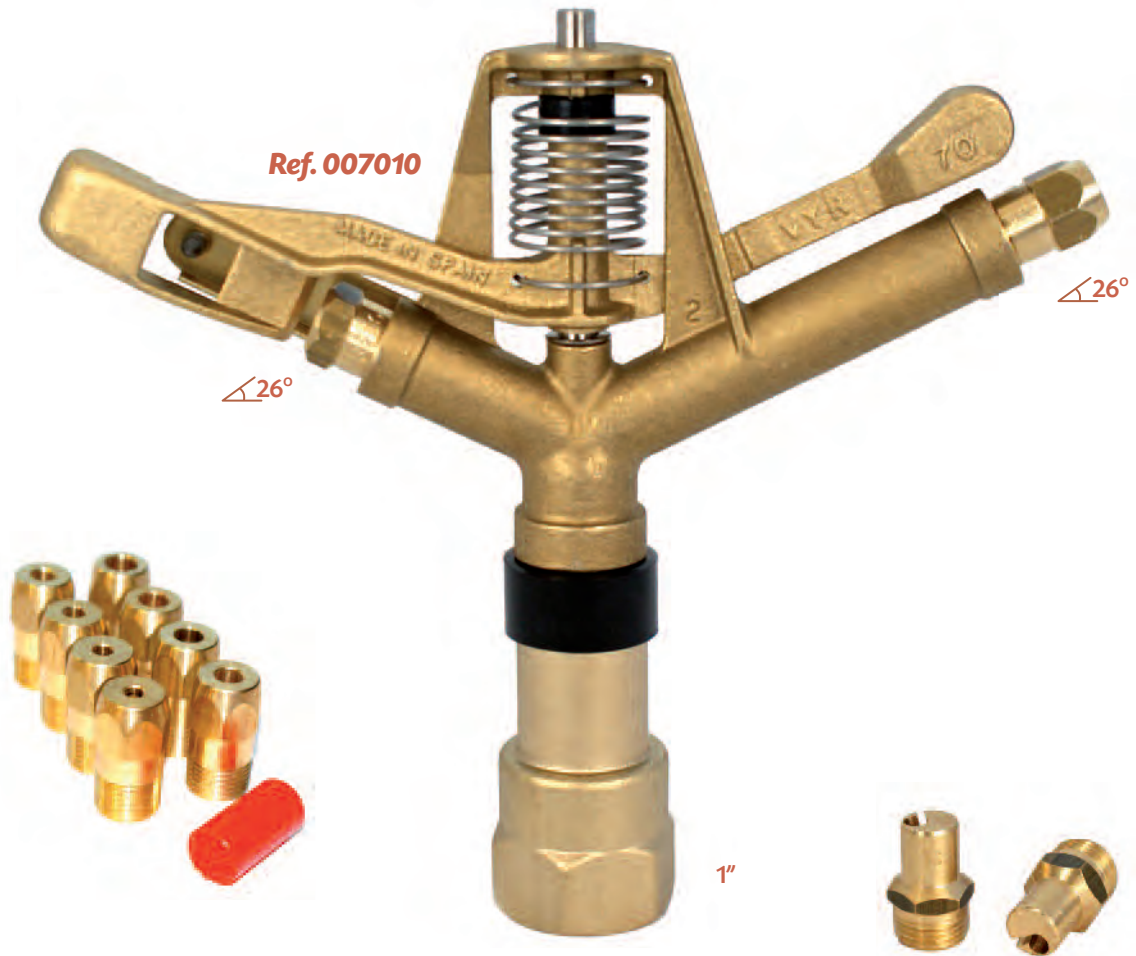
Standard Ø: Diameter range

(Sprinkler at 1 meter height)



Low pressure vane

VYR-70 VC



VYR-70 VC · Full circle AG

GENERAL PROPERTIES:

- Agricultural impact sprinkler with medium-high flow.
- 1" male or female connection.
- Made of brass and stainless steel.
- High-resistance rotating joints.
- Nozzle angles of 26° and 26°
- Special design for long reach.
- Used in full coverage irrigation with medium-high flow.

TECHNICAL SPECIFICATIONS:

- Range distance: 13,5 - 27 m / 44 - 89 ft.
- Flow: 2000 - 9400 L/H / 528 - 2480 GPH.
- Working pressure: 2,75 - 6 BAR / 36 87 PSI.
- Area: Full circle.
- Nozzles: Two nozzles: one main nozzle and a secondary nozzle.
- Trajectory angles: 26° and 26°
- Maximum stream height: 5 m / 16,5 ft.
- Rotation time: Depending on the pressure and the nozzles, the rotation will be constant and continuous.
- Uniformity coefficient higher than 90% in areas of 20x20R, 22x22T and 22x24T (meters).

APPLICATIONS:

- Used in all types of agricultural irrigation, generally with medium-high flows. Horticultural plantations, cereals, tubers, leguminous plants and fruit trees.

MEASUREMENTS:

- Height: 20 cm / 7,9 in.
- Width: 25 cm / 8,7 in.
- Weight: 870 g / 1,9 Lbs.
- Units per box: 25

OPTIONS:

- Threads in BSP or NPT under demand.
- Male and female connection.
- This model is suitable to be used over our irrigation traveller VYR - 5300.

MODELS:

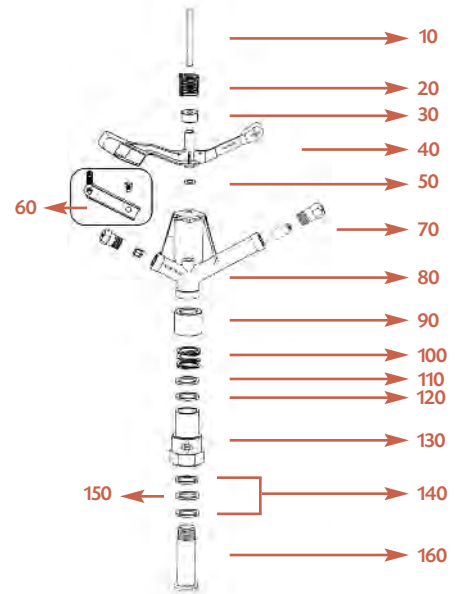
- **Ref. 007010:** 1" female connection.
- **Ref. 007012:** 1" male connection.
- **Ref. 106000:** Difuser pin plate.

TABLES & PARTS

Technical guidance table VYR-70 VC

| NOZZLE | Spacing (m) / Precipit. rate (mm/h) Spacing (ft) / Precipit. rate (in/h) | | | | | | |
|--------------------------------|---|----------------|----------------|----------------|----------------|----------------|-------------------|
| | BAR PSI | 18x21 59x68 | 21x21 68x68 | 21x24 68x78 | 24x24 78x78 | 24x28 78x91 | 28x28 T 91x91T |
| 5,6 x 4,4 mm 7/32" x 11/64" | 3 | 9,3 | 8 | 7 | 6,1 | 5,2 | 4,5 |
| | 58 | 0,37 | 0,31 | 0,28 | 0,24 | 0,20 | 0,18 |
| | 3,5 | 9,7 | 8,4 | 7,3 | 6,4 | 5,5 | 4,7 |
| 6,4 x 4,8 mm 1/4" x 3/16" | 65 | 0,38 | 0,33 | 0,29 | 0,25 | 0,22 | 0,19 |
| | 4 | 9,9 | 8,5 | 7,1 | 6,5 | 5,6 | 4,8 |
| | 73 | 0,39 | 0,33 | 0,28 | 0,26 | 0,22 | 0,19 |
| 7,2 x 5,6 mm 9/32" x 7/32" | 3 | 10,6 | 9,1 | 8 | 7 | 6 | 5,1 |
| | 58 | 0,42 | 0,36 | 0,31 | 0,28 | 0,24 | 0,20 |
| | 3,5 | 12,1 | 10,4 | 9,1 | 7,9 | 6,8 | 5,8 |
| 7,2 x 5,6 mm 9/32" x 7/32" | 65 | 0,48 | 0,41 | 0,36 | 0,31 | 0,27 | 0,23 |
| | 4 | 12,9 | 11 | 9,6 | 8,4 | 7,2 | 6,2 |
| | 73 | 0,51 | 0,43 | 0,38 | 0,33 | 0,28 | 0,24 |
| 7,2 x 5,6 mm 9/32" x 7/32" | 3 | 15,4 | 13,2 | 11,5 | 10,1 | 8,6 | 7,4 |
| | 58 | 0,61 | 0,52 | 0,45 | 0,40 | 0,34 | 0,29 |
| | 3,5 | 16,3 | 14 | 12,2 | 10,7 | 9,2 | 7,9 |
| 7,2 x 5,6 mm 9/32" x 7/32" | 65 | 0,64 | 0,55 | 0,48 | 0,42 | 0,36 | 0,31 |
| | 4 | 16,5 | 14,2 | 12,4 | 10,9 | 9,3 | 8 |
| | 73 | 0,65 | 0,56 | 0,49 | 0,43 | 0,37 | 0,31 |

T: Triang. CU < 85% CU 85-88% CU 88-92% CU > 92%



Performance nozzle tables VYR-70 VC

Long range nozzles (long vane) + short range nozzle

| NOZZLE | 5,6 x 4,4 mm 7/32" x 11/64" | | 6,4 x 4,4 mm 1/4" x 11/64" | | 6,4 x 4,8 mm 1/4" x 3/16" | | 7,2 x 4,8 mm 9/32" x 3/16" | | 7,2 x 5,6 mm 9/32" x 7/32" | | 8,8 x 5,6 mm 11/32" x 7/32" | |
|--------|--------------------------------|---------------------------|-------------------------------|---------------------------|------------------------------|---------------------------|-------------------------------|---------------------------|-------------------------------|---------------------------|--------------------------------|---------------------------|
| | BAR PSI | L/H GPH Ø m Ø ft | L/H GPH Ø m Ø ft | L/H GPH Ø m Ø ft | L/H GPH Ø m Ø ft | L/H GPH Ø m Ø ft | L/H GPH Ø m Ø ft | L/H GPH Ø m Ø ft | L/H GPH Ø m Ø ft | L/H GPH Ø m Ø ft | L/H GPH Ø m Ø ft | L/H GPH Ø m Ø ft |
| 3 | 3720 | 39 | 4115 | 39 | 4435 | 39 | 5185 | 43 | 5335 | 43 | 6670 | 41,4 |
| 44 | 983 | 128 | 1087 | 128 | 1172 | 128 | 1370 | 141 | 1409 | 141 | 1762 | 136 |
| 3,5 | 3990 | 40 | 4390 | 42 | 4745 | 42 | 5600 | 44 | 5670 | 44 | 7225 | 43,2 |
| 51 | 1054 | 131 | 1160 | 138 | 1253 | 138 | 1479 | 144 | 1498 | 144 | 1909 | 142 |
| 4 | 4270 | 42 | 4765 | 44 | 5100 | 44 | 5970 | 45 | 6060 | 45 | 7715 | 45 |
| 58 | 1128 | 138 | 1259 | 144 | 1347 | 144 | 1577 | 148 | 1601 | 148 | 2038 | 148 |
| 4,5 | 4445 | 44 | 4930 | 46 | 5460 | 46 | 6420 | 46 | 6480 | 46 | 8100 | 47,4 |
| 65 | 1174 | 144 | 1302 | 151 | 1442 | 151 | 1696 | 151 | 1712 | 151 | 2140 | 156 |
| 5 | 4705 | 46 | 5190 | 48 | 5785 | 48 | 6660 | 47 | 6870 | 47 | 8580 | 48,8 |
| 73 | 1243 | 151 | 1371 | 157 | 1528 | 157 | 1759 | 154 | 1815 | 154 | 2267 | 160 |
| 5,5 | 4985 | 47 | 5490 | 49 | 6030 | 49 | 6990 | 49 | 7200 | 49 | 9000 | 52,4 |
| 80 | 1317 | 154 | 1450 | 161 | 1593 | 161 | 1847 | 161 | 1902 | 161 | 2378 | 172 |

Standard Ø: Diameter range

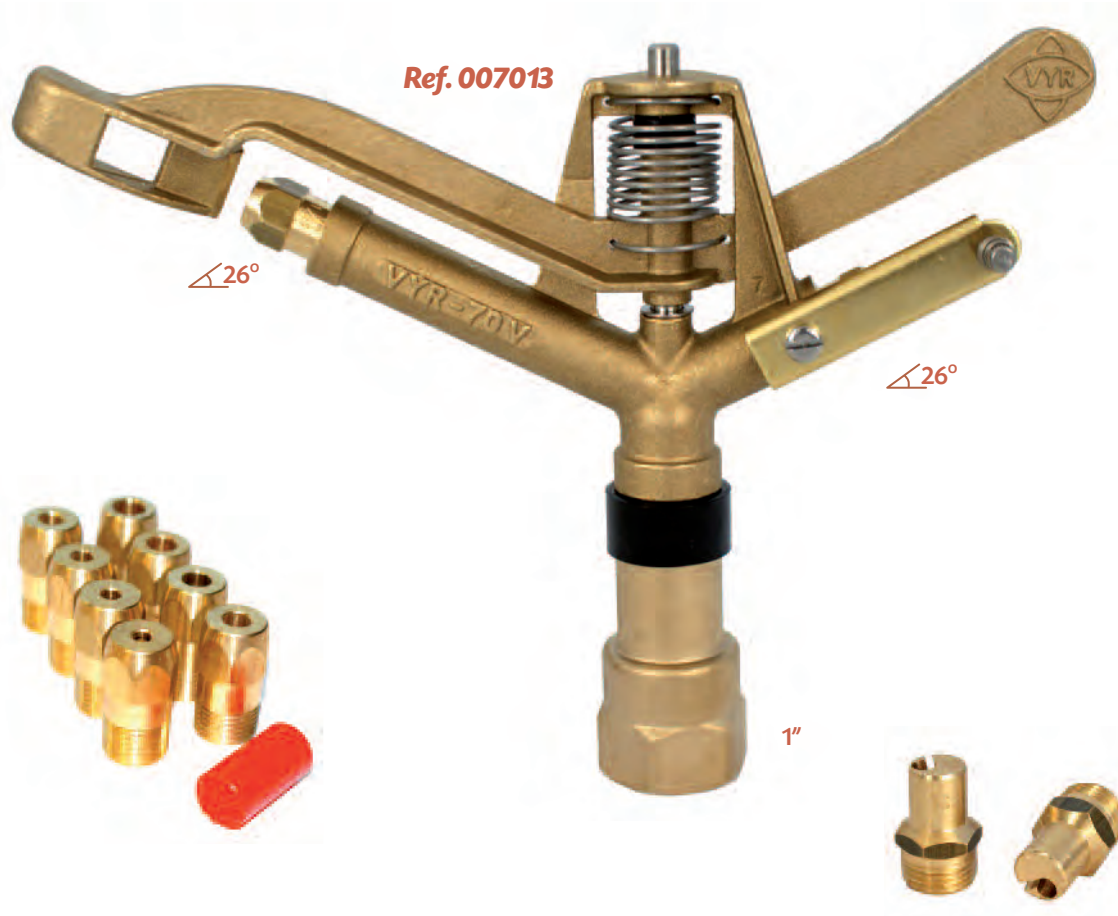


Ref. 106000

- For optimum distribution avoid use in shady areas.
- Sprinklers will be supplied with standard nozzles unless otherwise specified.
- In order to calculate the flow, add the flows of the two nozzles. The range of the rear nozzle must be less than that of the main nozzle.
- These results has been obtained at indoor laboratory with 0 m/seg win velocity. Outdoor results may change range distances.



VYR-70 VL



VYR-70 VL · Full circle AG

GENERAL PROPERTIES:

- Agricultural impact sprinkler with medium-high flow.
- 1" male or female connection.
- Made of brass and stainless steel.
- High-resistance rotating joints.
- Nozzle angles of 26° y 26°
- Special design for long reach.
- Used in full coverage irrigation with medium-high flow.

TECHNICAL SPECIFICATIONS:

- Range distance: 13,5 - 27 m / 44 - 89 ft.
- Flow: 2000 - 9400 L/H / 528 - 2480 GPH.
- Working pressure: 2,75 - 6 BAR / 36 87 PSI.
- Area: Full circle.
- Nozzles: Two nozzles: one main nozzle and a secondary nozzle.
- Trajectory angles: 26° y 26°
- Maximum stream height: 5 m / 16,5 ft.
- Rotation time: Depending on the pressure and the nozzles, the rotation will be constant and continuous.
- Uniformity coefficient higher than 90% in areas of 20x20R, 22x22T and 22x24T (meters)

APPLICATIONS:

- Used in all types of agricultural irrigation, generally with medium-high flow. Horticultural plantations, cereals, tubers, leguminous plants and fruit trees.

MEASUREMENTS:

- Height: 20 cm / 7,9 in.
- Width: 28 cm / 11 in.
- Weight: 900 g / 2 Lbs.
- Units per box: 25

OPTIONS:

- Threads in BSP or NPT under demand.
- Male and female connection.
- This model is suitable to be used over our irrigation traveller VYR - 5300.

MODELS:

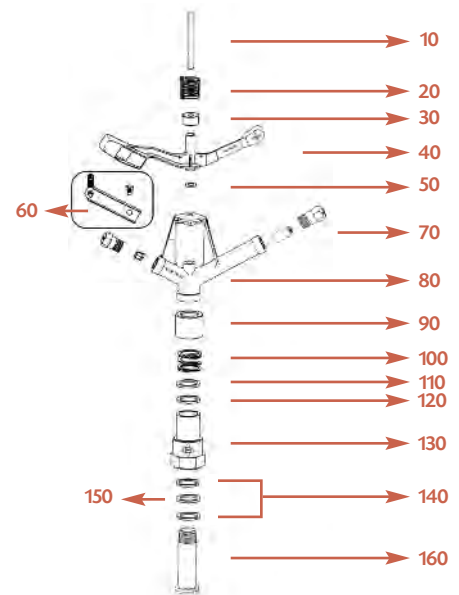
- Ref. 007011: 1" female connection.
- Ref. 007013: 1" male connection.
- Ref. 106000: Difuser pin plate.

TABLES & PARTS

Technical guidance table VYR-70 VL

| NOZZLE | Spacing (m) / Precipit. rate (mm/h) Spacing (ft) / Precipit. rate (in/h) | | | | | | |
|--------------------------------|---|----------------|--------------------|--------------------|--------------------|----------------|----------------|
| | BAR PSI | 18x21 60x70 | 21x21 T 70x70 T | 21x24 T 70x80 T | 24x24 T 80x80 T | 24x28 80x92 | 28x28 92x92 |
| 5,6 x 4,4 mm 7/32" x 11/64" | 4 | 10,1 | 8 | 6,5 | 6,2 | 5,7 | |
| | 58 | 0,40 | 0,31 | 0,26 | 0,24 | 0,22 | |
| | 65 | 0,43 | 0,33 | 0,27 | 0,26 | 0,24 | |
| 6,4 x 4,8 mm 1/4" x 3/16" | 4 | 12,8 | 10,1 | 8,1 | 7,8 | 7,2 | 6,2 |
| | 58 | 0,50 | 0,40 | 0,32 | 0,31 | 0,28 | 0,24 |
| | 65 | 0,54 | 0,43 | 0,34 | 0,32 | 0,30 | 0,26 |
| 7,2 x 5,6 mm 9/32" x 7/32" | 4 | 16,6 | 13,2 | 10,6 | 10,1 | 9,4 | 8 |
| | 58 | 0,65 | 0,52 | 0,42 | 0,40 | 0,37 | 0,31 |
| | 65 | 0,70 | 0,55 | 0,44 | 0,42 | 0,39 | 0,33 |
| | 5 | 18,6 | 14,7 | 11,8 | 11,3 | 10,5 | 9 |
| | 73 | 0,73 | 0,58 | 0,46 | 0,44 | 0,41 | 0,35 |

T: Triang. CU < 85% CU 85-88% CU 88-92% CU > 92%



Performance nozzle tables VYR-70 VL

Long range nozzles (long vane) + plug

| NOZZLE | 5,6 mm 7/32" | | 6,4 mm 1/4" | | 7,2 mm 9/32" | | 8,0 mm 5/16" | | 8,8 mm 11/32" | | 9,6 mm 3/8" | |
|--------|-----------------|------------|----------------|------------|-----------------|------------|-----------------|------------|------------------|------------|----------------|------------|
| | BAR PSI | L/H GPH | Ø m Ø ft | L/H GPH | Ø m Ø ft | L/H GPH | Ø m Ø ft | L/H GPH | Ø m Ø ft | L/H GPH | Ø m Ø ft | L/H GPH |
| 3 | 2190 | 40 | 2850 | 42 | 3470 | 42 | 4190 | 45 | 4930 | 44 | 5710 | 44 |
| 44 | 579 | 131 | 753 | 138 | 917 | 138 | 1107 | 148 | 1302 | 144 | 1508 | 144 |
| 3,5 | 2370 | 42 | 3070 | 43 | 3730 | 44 | 4490 | 46 | 5335 | 46 | 6170 | 46 |
| 51 | 626 | 138 | 811 | 141 | 985 | 144 | 1186 | 151 | 1409 | 151 | 1630 | 151 |
| 4 | 2550 | 44 | 3300 | 44 | 4030 | 46 | 4850 | 48 | 5730 | 49 | 6650 | 49 |
| 58 | 674 | 144 | 872 | 144 | 1065 | 151 | 1281 | 157 | 1514 | 161 | 1757 | 161 |
| 4,5 | 2700 | 46 | 3515 | 46 | 4250 | 48 | 5150 | 50 | 6150 | 51 | 7020 | 52 |
| 65 | 713 | 151 | 929 | 151 | 1123 | 157 | 1360 | 164 | 1625 | 167 | 1854 | 171 |
| 5 | 2880 | 47 | 3690 | 48 | 4550 | 49 | 5450 | 52 | 6510 | 54 | 7470 | 55 |
| 73 | 761 | 157 | 975 | 157 | 1202 | 161 | 1440 | 171 | 1720 | 177 | 1973 | 180 |
| 5,5 | 3000 | 48 | 3900 | 50 | 4765 | 50 | 5700 | 54 | 6810 | 55 | 7835 | 57 |
| 80 | 793 | 157 | 1030 | 164 | 1259 | 164 | 1506 | 177 | 1799 | 180 | 2070 | 187 |



Long range nozzles (long vane) + short range nozzle

| NOZZLE | 5,6 x 4,4 mm 7/32" x 11/64" | | 6,4 x 4,4 mm 1/4" x 11/64" | | 6,4 x 4,8 mm 1/4" x 3/16" | | 7,2 x 4,8 mm 9/32" x 3/16" | | 7,2 x 5,6 mm 9/32" x 7/32" | | 8,8 x 5,6 mm 11/32" x 7/32" | |
|--------|--------------------------------|------------|-------------------------------|------------|------------------------------|------------|-------------------------------|------------|-------------------------------|------------|--------------------------------|------------|
| | BAR PSI | L/H GPH | Ø m Ø ft | L/H GPH | Ø m Ø ft | L/H GPH | Ø m Ø ft | L/H GPH | Ø m Ø ft | L/H GPH | Ø m Ø ft | L/H GPH |
| 3 | 3720 | 39 | 4115 | 39 | 4435 | 39 | 5185 | 43 | 5335 | 43 | 6670 | 41,4 |
| 44 | 983 | 128 | 1087 | 128 | 1172 | 128 | 1370 | 141 | 1409 | 141 | 1762 | 136 |
| 3,5 | 3990 | 40 | 4390 | 42 | 4745 | 42 | 5600 | 44 | 5670 | 44 | 7225 | 43,2 |
| 51 | 1054 | 131 | 1160 | 138 | 1253 | 138 | 1479 | 144 | 1498 | 144 | 1909 | 142 |
| 4 | 4270 | 42 | 4765 | 44 | 5100 | 44 | 5970 | 45 | 6060 | 45 | 7715 | 45 |
| 58 | 1128 | 138 | 1259 | 144 | 1347 | 144 | 1577 | 148 | 1601 | 148 | 2038 | 148 |
| 4,5 | 4445 | 44 | 4930 | 46 | 5460 | 46 | 6420 | 46 | 6480 | 46 | 8100 | 47,4 |
| 65 | 1174 | 144 | 1302 | 151 | 1442 | 151 | 1696 | 151 | 1712 | 151 | 2140 | 156 |
| 5 | 4705 | 46 | 5190 | 48 | 5785 | 48 | 6660 | 47 | 6870 | 47 | 8580 | 48,8 |
| 73 | 1243 | 151 | 1371 | 157 | 1528 | 157 | 1759 | 154 | 1815 | 154 | 2267 | 160 |
| 5,5 | 4985 | 47 | 5490 | 49 | 6030 | 49 | 6990 | 49 | 7200 | 49 | 9000 | 52,4 |
| 80 | 1317 | 154 | 1450 | 161 | 1593 | 161 | 1847 | 161 | 1902 | 161 | 2378 | 172 |

Standard Ø: Diameter range

- For optimum distribution avoid use in shady areas.
- Sprinklers will be supplied with standard nozzles unless otherwise specified.
- In order to calculate the flow, add the flows of the two nozzles. The range of the rear nozzle must be less than that of the main nozzle.
- These results has been obtained at indoor laboratory with 0 m/seg win velocity. Outdoor results may change range distances.

VYR-86



VYR-86 · Full circle AG

GENERAL PROPERTIES:

- Agricultural impact sprinkler with medium-high flow.
- 1" female connection.
- Made of plastic and stainless steel.
- High-resistance rotating joints.
- Nozzle angles of 26° y 26°
- Special design for long reach.
- Used in full coverage irrigation with medium-high flow.

TECHNICAL SPECIFICATIONS:

- Range distance: 13,5 - 27 m / 44 - 89 ft.
- Flow: 2000 - 9400 L/H / 528 - 2480 GPH.
- Working pressure: 2,75 - 6 BAR / 36 87 PSI.
- Area: Full circle.
- Nozzles: Two nozzles: one main nozzle and a secondary deflector nozzle.
- Trajectory angles: 26° y 26°
- Maximum stream height: 5 m/ 16,5 ft.
- Rotation time: Depending on the pressure and the nozzles, the rotation will be constant and continuous.
- Uniformity coefficient higher than 90% in areas of 20x20R, 22x22T and 22x24T (meters)

APPLICATIONS:

- Used in all types agricultural irrigation, generally with medium-high flow. Horticultural plantations, cereals, tubers, leguminous plants and fruit trees.

MEASUREMENTS:

- Height: 20 cm / 7,9 in.
- Width: 22 cm or 28 cm / 8,7 in or 11 in.
- Weight: 310 g or 390 g / 0,68 Lbs or 0,85 Lbs
- Units per box: 25

OPTIONS:

- Threads in BSP or NPT under demand.
- Plastic or brass arm depending on the desired rotating speed and the pressure used.
- This is one of the models which can be used in conjunction with our travelling sprinkler cart VYR-5300.

MODELS:

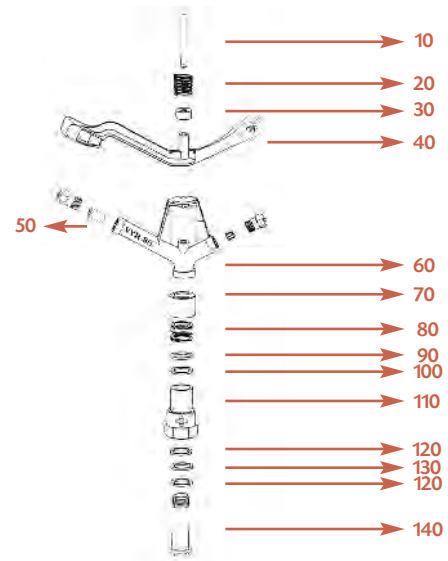
- Ref. 008600: Plastic.
- Ref. 008601: Brass arm.

TABLES & PARTS

Technical guidance table VYR-86

| NOZZLE | Spacing (m) / Precipit. rate (mm/h) | | | | | | |
|--------------------------------|--------------------------------------|----------------|--------------------|--------------------|--------------------|----------------|----------------|
| | Spacing (ft) / Precipit. rate (in/h) | | | | | | |
| | BAR PSI | 18x21 60x70 | 21x21 T 70x70 T | 21x24 T 70x80 T | 24x24 T 80x80 T | 24x27 80x89 | 28x27 92x89 |
| 5,6 x 4,4 mm 7/32" x 11/64" | 4 | 10,5 | 10,4 | 9,1 | 8 | 6,1 | 5,5 |
| | 58 | 0,41 | 0,41 | 0,36 | 0,31 | 0,24 | 0,22 |
| | 4,5 | 11,2 | 11,1 | 9,7 | 8,5 | 6,5 | 5,8 |
| 6,4 x 4,8 mm 1/4" x 3/16" | 65 | 0,44 | 0,44 | 0,38 | 0,33 | 0,26 | 0,23 |
| | 5 | 11,8 | 11,7 | 10,2 | 8,9 | 6,9 | 6,1 |
| | 73 | 0,46 | 0,46 | 0,40 | 0,35 | 0,27 | 0,24 |
| 7,2 x 4,8 mm 9/32" x 3/16" | 4 | 13,3 | 13,1 | 11,5 | 10,1 | 7,7 | 6,9 |
| | 58 | 0,52 | 0,52 | 0,45 | 0,40 | 0,30 | 0,27 |
| | 4,5 | 14,1 | 13,9 | 12,2 | 10,7 | 8,2 | 7,3 |
| 7,2 x 4,8 mm 9/32" x 3/16" | 65 | 0,56 | 0,55 | 0,48 | 0,42 | 0,32 | 0,29 |
| | 5 | 14,8 | 14,7 | 12,9 | 11,3 | 8,7 | 7,7 |
| | 73 | 0,58 | 0,58 | 0,51 | 0,44 | 0,34 | 0,30 |
| 7,2 x 4,8 mm 9/32" x 3/16" | 4 | 15,4 | 15,3 | 13,4 | 11,7 | 9 | 8 |
| | 58 | 0,61 | 0,60 | 0,53 | 0,46 | 0,35 | 0,31 |
| | 4,5 | 16,4 | 16,2 | 14,2 | 12,4 | 9,5 | 8,5 |
| 7,2 x 4,8 mm 9/32" x 3/16" | 65 | 0,65 | 0,64 | 0,56 | 0,49 | 0,37 | 0,33 |
| | 5 | 17,3 | 17,1 | 14,9 | 13,1 | 10,1 | 8,9 |
| | 73 | 0,68 | 0,70 | 0,59 | 0,52 | 0,40 | 0,35 |

T: Triang. CU < 85% CU 85-88% CU 88-92% CU > 92%



Performance nozzle tables VYR-86

Long range nozzles (long vane) + plug

| NOZZLE | 5,6 mm 7/32" | | 6,4 mm 1/4" | | 7,2 mm 9/32" | | 8,0 mm 5/16" | | 8,8 mm 11/32" | | 9,6 mm 3/8" | |
|--------|-----------------|------------|----------------|------------|-----------------|------------|-----------------|------------|------------------|------------|----------------|------------|
| | BAR PSI | L/H GPH | Ø m Ø ft | L/H GPH | Ø m Ø ft | L/H GPH | Ø m Ø ft | L/H GPH | Ø m Ø ft | L/H GPH | Ø m Ø ft | L/H GPH |
| 3 | 2040 | 36 | 2671 | 37 | 3377 | 40 | 4265 | 40 | 5048 | 40 | 6003 | 42 |
| 44 | 539 | 118 | 705 | 122 | 892 | 131 | 1126 | 131 | 1333 | 131 | 1585 | 138 |
| 3,5 | 2204 | 36 | 2885 | 38 | 3647 | 40 | 4499 | 41 | 5452 | 42 | 6484 | 42 |
| 51 | 582 | 118 | 762 | 125 | 963 | 131 | 1188 | 135 | 1439 | 138 | 1712 | 138 |
| 4 | 2356 | 36 | 3084 | 40 | 3899 | 42 | 4809 | 42 | 5829 | 44 | 6931 | 44 |
| 58 | 622 | 118 | 814 | 131 | 1029 | 138 | 1270 | 138 | 1539 | 145 | 1830 | 145 |
| 4,5 | 2499 | 38 | 3271 | 42 | 4135 | 42 | 5101 | 44 | 6182 | 46 | 7352 | 46 |
| 65 | 660 | 125 | 864 | 138 | 1092 | 138 | 1347 | 145 | 1632 | 151 | 1941 | 151 |
| 5 | 2634 | 38 | 3448 | 42 | 4359 | 42 | 5377 | 44 | 6517 | 48 | 7750 | 48 |
| 73 | 695 | 125 | 910 | 138 | 1151 | 138 | 1420 | 145 | 1720 | 158 | 2046 | 158 |
| 5,5 | 2762 | 39 | 3616 | 43 | 4572 | 43 | 5640 | 45 | 6835 | 49 | 8128 | 49 |
| 80 | 729 | 128 | 955 | 141 | 1207 | 141 | 1489 | 148 | 1804 | 161 | 2146 | 161 |



Long range nozzles (long vane) + short range nozzle

| NOZZLE | 5,6 x 4,4 mm 7/32 x 11/64" | | 6,4 x 4,4 mm 1/4 x 11/64" | | 6,4 x 4,8 mm 1/4 x 3/16" | | 7,2 x 4,8 mm 9/32 x 3/16" | | 7,15 5,6 mm 9/32 x 7/32" | | 8,8 x 5,6 mm 11/32 x 7/32" | | 9,6 x 5,6 mm 3/8 x 7/32" | |
|--------|-------------------------------|------------|------------------------------|------------|-----------------------------|------------|------------------------------|------------|-----------------------------|------------|-------------------------------|------------|-----------------------------|------------|
| | BAR PSI | L/H GPH | Ø m Ø ft | L/H GPH | Ø m Ø ft | L/H GPH | Ø m Ø ft | L/H GPH | Ø m Ø ft | L/H GPH | Ø m Ø ft | L/H GPH | Ø m Ø ft | L/H GPH |
| 3 | 3450 | 36 | 4081 | 37 | 4349 | 37 | 5055 | 40 | 5621 | 40 | 7292 | 40 | 8247 | 42 |
| 44 | 911 | 118 | 1077 | 122 | 1148 | 122 | 1335 | 131 | 1484 | 131 | 1925 | 131 | 2177 | 138 |
| 3,5 | 3727 | 36 | 4408 | 38 | 4697 | 38 | 5459 | 40 | 6071 | 40 | 7876 | 42 | 8910 | 42 |
| 51 | 984 | 118 | 1164 | 125 | 1240 | 125 | 1441 | 131 | 1603 | 131 | 2079 | 138 | 2352 | 138 |
| 4 | 3985 | 36 | 4713 | 40 | 5022 | 40 | 5837 | 42 | 6490 | 42 | 8420 | 44 | 9522 | 44 |
| 58 | 1052 | 118 | 1244 | 131 | 1326 | 131 | 1541 | 138 | 1713 | 138 | 2223 | 145 | 2514 | 145 |
| 4,5 | 4226 | 38 | 4998 | 42 | 5326 | 42 | 6190 | 42 | 6883 | 42 | 8930 | 46 | 10100 | 46 |
| 65 | 1116 | 125 | 1319 | 138 | 1406 | 138 | 1634 | 138 | 1817 | 138 | 2358 | 151 | 2666 | 151 |
| 5 | 4454 | 38 | 5268 | 42 | 5615 | 42 | 6526 | 42 | 7256 | 42 | 9414 | 48 | 10647 | 48 |
| 73 | 1176 | 125 | 1391 | 138 | 1482 | 138 | 1723 | 138 | 1916 | 138 | 2485 | 158 | 2811 | 158 |
| 5,5 | 4671 | 39 | 5525 | 43 | 5888 | 43 | 6844 | 43 | 7610 | 43 | 9873 | 49 | 11166 | 49 |
| 80 | 1233 | 128 | 1459 | 141 | 1554 | 141 | 1807 | 141 | 2009 | 141 | 2606 | 161 | 2948 | 161 |

Standard Ø: Diameter range

- For optimum distribution avoid use in shady areas.
- Sprinklers will be supplied with standard nozzles unless otherwise specified.
- In order to calculate the flow, add the flows of the two nozzles. The range of the rear nozzle must be less than that of the main nozzle.
- These results has been obtained at indoor laboratory with 0 m/seg win velocity. Outdoor results may change range distances.
- Below nozzle 6.3 mm (4.8 mm and 5.6 mm) is highly recommended the use of weights on back arm. These will be supplied only under order and separated from sprinkler.

VYR-144 C



VYR-144 C · Full circle AG

GENERAL PROPERTIES:

- Agricultural impact sprinkler with medium-high flow.
- 1 1/4" female connection.
- Made of aluminium, plastic and stainless steel.
- High-resistance rotating joints.
- Nozzle angles of 30° y 22°
- Special design for long reach.
- Used in full coverage irrigation with medium-high flow.

TECHNICAL SPECIFICATIONS:

- Range distance: 16 - 26 m / 52 - 85 ft.
- Flow: 3800 - 16700 L/H / 1.000 - 4.410 GPH
- Working pressure: 1.5 - 4.5 BAR / 22 - 65 PSI.
- Area: Full circle.
- 2 Nozzles: One main nozzle with built-in deflector pin, and a second short range deflector nozzle.
- Trajectory angles: 30° y 22°
- Maximum stream height: 5.5 m / 18 ft.
- Rotation time: Adjustable. Depending on the pressure and the nozzles, the rotation will be constant and continuous.
- Uniformity coefficient higher than 90% in areas of 22x22R, 24x24T and 24x27T (meters).

APPLICATIONS:

- Used in all types agricultural irrigation, generally with medium-high flow. Horticultural plantations, cereals, tubers, leguminous plants and fruit trees.

MEASUREMENTS:

- Height: 25 cm / 9,8 in.
- Width: 30 cm / 11,8 in.
- Weight: 1 kg / 2,2 Lbs.
- Units per box: 15

OPTIONS:

- Threads in BSP or NPT under demand.
- Complete set of nozzles.
- This is one of the models which can be used in conjunction with our travelling sprinkler cart VYR-5300.

MODELS:

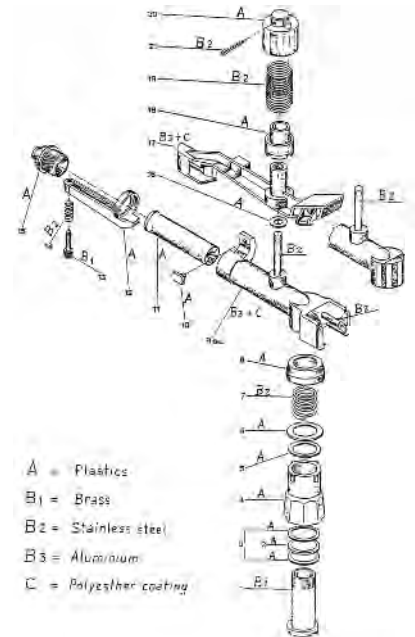
- **Ref. 014401:** Sprinkler with 5 nozzle set.

TABLES & PARTS

Technical guidance table VYR-144

| NOZZLE | BAR PSI | Spacing (m) / Precipit. rate (mm/h) Spacing (ft) / Precipit. rate (in/h) | | | | | |
|--------------------------------|------------|---|----------------|--------------------|--------------------|--------------------|--------------------|
| | | 20x24 65x78 | 24x24 78x78 | 24x26 T 78x85 T | 26x26 T 85x85 T | 28x28 T 91x91 T | 30x30 T 98x98 T |
| 7 x 4,4 mm 9/32" x 11/64" | 3 | 8,6 | 7,1 | 5,8 | 5,6 | 4,8 | |
| | 44 | 0,34 | 0,28 | 0,23 | 0,22 | 0,19 | |
| | 3,5 | 9,2 | 7,7 | 6,2 | 6,1 | 5,2 | 4,6 |
| 10 x 4,4 mm 13/32" x 11/64" | 51 | 0,36 | 0,30 | 0,24 | 0,24 | 0,20 | 0,18 |
| | 4 | 9,9 | 8,2 | 6,7 | 6,5 | 5,6 | 4,9 |
| | 58 | 0,39 | 0,32 | 0,26 | 0,26 | 0,22 | 0,19 |
| 14 x 4,4 mm 9/16" x 11/64" | 3 | 16 | 13,4 | 10,8 | 10,5 | 9,1 | 7,9 |
| | 44 | 0,63 | 0,53 | 0,43 | 0,41 | 0,36 | 0,31 |
| | 3,5 | 17,3 | 14,4 | 11,7 | 11,4 | 9,8 | 8,5 |
| 9/16" x 11/64" | 51 | 0,68 | 0,57 | 0,46 | 0,45 | 0,39 | 0,33 |
| | 4 | 18,5 | 15,4 | 12,5 | 12,2 | 10,5 | 9,1 |
| | 58 | 0,73 | 0,61 | 0,49 | 0,48 | 0,41 | 0,36 |
| 9/16" x 11/64" | 3 | 29,8 | 24,8 | 20,1 | 19,6 | 16,9 | 14,7 |
| | 44 | 1,17 | 0,98 | 0,79 | 0,77 | 0,67 | 0,58 |
| | 3,5 | 32,2 | 26,8 | 21,8 | 21,1 | 18,2 | 15,9 |
| 9/16" x 11/64" | 51 | 1,27 | 1,06 | 0,86 | 0,83 | 0,72 | 0,63 |
| | 4 | 34,4 | 28,7 | 23,3 | 22,6 | 19,5 | 17 |
| | 58 | 1,35 | 1,13 | 0,92 | 0,89 | 0,77 | 0,67 |

T: Triang. CU < 85% CU 85-88% CU 88-92% CU > 92%



Performance nozzle tables VYR-144

Long range nozzles (long vane) + short range nozzle

| NOZZLE | 7 x 4,4 mm 9/32" x 11/64" | | 8 x 4,4 mm 5/16" x 11/64" | | 10 x 4,4 mm 13/32" x 11/64" | | 12 x 4,4 mm 15/32" x 11/64" | | 14 x 4,4 mm 9/16" x 11/64" | |
|--------|------------------------------|---------------------------|------------------------------|---------------------------|--------------------------------|---------------------------|--------------------------------|---------------------------|-------------------------------|---------------------------|
| | BAR PSI | L/H GPH Ø m Ø ft | L/H GPH Ø m Ø ft | L/H GPH Ø m Ø ft | L/H GPH Ø m Ø ft | L/H GPH Ø m Ø ft | L/H GPH Ø m Ø ft | L/H GPH Ø m Ø ft | L/H GPH Ø m Ø ft | L/H GPH Ø m Ø ft |
| 2 | 4.560 | 40 | 5.580 | 44 | 7.900 | 50 | 10.980 | 56 | 14.460 | 54 |
| 29 | 1.204 | 131 | 1.473 | 144 | 2.086 | 164 | 2.899 | 184 | 3.817 | 177 |
| 3 | 4.920 | 42 | 6.000 | 46 | 8.640 | 54 | 11.880 | 60 | 16.560 | 62 |
| 44 | 1.299 | 138 | 1.584 | 151 | 2.281 | 177 | 3.136 | 197 | 4.372 | 203 |
| 4 | 5.280 | 42 | 6.480 | 50 | 9.300 | 58 | 12.720 | 62 | 18.600 | 62 |
| 58 | 1.394 | 138 | 1.711 | 164 | 2.455 | 190 | 2.455 | 203 | 4.910 | 203 |

Ø: Diameter range

- Sprinklers will be supplied with standard nozzles unless otherwise specified.
- In order to calculate the flow, add the flows of the two nozzles. The range of the rear nozzle must be less than that of the main nozzle.
- These results has been obtained at indoor laboratory with 0 m/seg win velocity. Outdoor results may change range distances.



Easy spring tension adjustment

VYR-155



VYR-155 · Full circle AG

GENERAL PROPERTIES:

- Agricultural impact sprinkler with medium-high flow.
- 1 1/4" male connection.
- Made of brass and stainless steel.
- High-resistance rotating joints.
- Nozzles angles of 28°, 28° and 13°
- Special design for long reach.
- Used in full coverage irrigation with medium-high flow.
- Mechanical system for adjusting the spring tension to vary the rotation speed depending on the pressure used.

TECHNICAL SPECIFICATIONS:

- Range distance: 26 - 35 m / 85 - 115 ft.
- Flow: 8.500 - 22.300 L/H / 2.244 - 5.887 GPH.
- Working pressure: 4 - 8 BAR / 58-116 PSI.
- Area: Full circle.
- Nozzles: A main nozzle for long reach, a second nozzle for medium reach and a third nozzle for short reach.
- Trajectory angles: 28°, 28° and 13°
- Maximum stream height: 5,8 m / 19 ft.
- Rotation time: Adjustable. Depending on the pressure and the nozzles, the rotation will be constant and continuous.
- Uniformity coefficient higher than 90% in areas of 28x28R, 28x30T and 30x30T (meters)

APPLICATIONS:

- Used in all types of agricultural irrigations, generally with medium-high flow for coverage of wide areas.
- Horticultural plantations, cereals, tubers, leguminous plants and fruit trees.

MEASUREMENTS:

- Height: 30 cm / 11,8 in.
- Width: 48 cm / 18,9 in.
- Weight: 1.672 kg / 3,68 Lbs.
- Units per box: 10

OPTIONS:

- Threads in BSP or NPT under demand.
- Telescopic tripod for mobile installation.
- This is one of the models which can be used in conjunction with our travelling sprinkler cart VYR-5300.

MODELS:

Ref. 015500: Sprinkler with 3 nozzles.

Incredible Uniformity Coefficient results with very wide coverage areas.

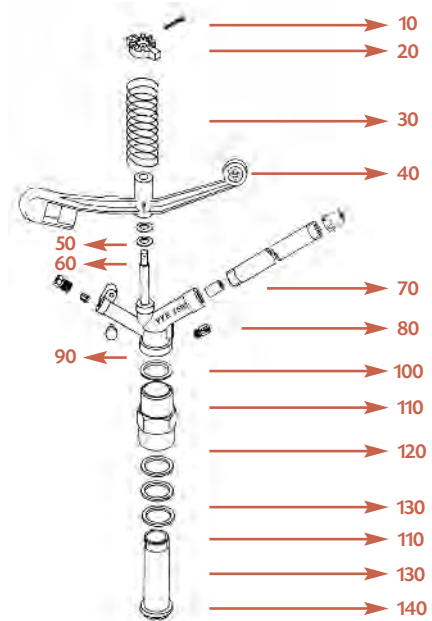


TABLES & PARTS

Technical guidance table VYR-155

| NOZZLE | Spacing (m) / Precipit. rate (mm/h) Spacing (ft) / Precipit. rate (in/h) | | | | | | |
|--|---|----------------|--------------------|----------------|--------------------|----------------|--------------------|
| | BAR PSI | 24x24 78x78 | 24x24 T 78x78 T | 26x26 85x85 | 26x26 T 85x85 T | 28x28 91x91 | 28x28 T 91x91 T |
| 3,2 x 6,3 x 8 mm 5/16" x 1/4" x 1/8" | 4 | 10,3 | 9,6 | 6,9 | 6 | | |
| | 58 | 0,41 | 0,38 | 0,27 | 0,24 | | |
| | 5 | 12,7 | 11,4 | 9,6 | 8,5 | | |
| | 73 | 0,50 | 0,45 | 0,38 | 0,33 | | |
| | 6 | 14,9 | 13,5 | 11,4 | 10,2 | | |
| 3,2 x 6,3 x 10 mm 13/32" x 1/4" x 1/8" | 87 | 0,59 | 0,53 | 0,45 | 0,40 | | |
| | 7 | 16,8 | 15,4 | 13,3 | 12 | | |
| | 102 | 0,66 | 0,61 | 0,52 | 0,47 | | |
| | 4 | 16,7 | 15,3 | 13,1 | 11,9 | 11,2 | 10,3 |
| | 58 | 0,66 | 0,60 | 0,52 | 0,47 | 0,44 | 0,41 |
| 3,2 x 6,3 x 12 mm 15/32" x 1/4" x 1/8" | 5 | 19,8 | 18,3 | 16,2 | 14,8 | 14,7 | 13,6 |
| | 73 | 0,78 | 0,72 | 0,64 | 0,58 | 0,58 | 0,54 |
| | 6 | 22,7 | 26 | 19,4 | 17,4 | 16,9 | 15,5 |
| | 87 | 0,89 | 1,02 | 0,76 | 0,69 | 0,67 | 0,61 |
| | 7 | 24,6 | 22,9 | 21 | 19 | 19,2 | 17,9 |
| 3,2 x 6,3 x 14,5 mm 9/16" x 1/4" x 1/8" | 102 | 0,97 | 0,90 | 0,83 | 0,75 | 0,76 | 0,70 |
| | 4 | 25,5 | 23,5 | 22,1 | 19,7 | 19,7 | 17,8 |
| | 58 | 1,00 | 0,93 | 0,87 | 0,78 | 0,78 | 0,70 |
| | 5 | 27,8 | 25,8 | 24,1 | 21,6 | 20,3 | 18 |
| | 73 | 1,09 | 1,02 | 0,95 | 0,85 | 0,80 | 0,71 |
| 3,2 x 6,3 x 14,5 mm 9/16" x 1/4" x 1/8" | 6 | 31,9 | 28,9 | 27,9 | 25,4 | 24,4 | 22 |
| | 87 | 1,26 | 1,14 | 1,10 | 1,00 | 0,96 | 0,87 |
| | 7 | 32,6 | 30,4 | 28,6 | 26,1 | 24,9 | 22,3 |
| | 102 | 1,28 | 1,20 | 1,13 | 1,03 | 0,98 | 0,88 |
| | 4 | 32,9 | 30,7 | 29,4 | 27 | 25 | 23,5 |
| 3,2 x 6,3 x 14,5 mm 9/16" x 1/4" x 1/8" | 58 | 1,30 | 1,21 | 1,16 | 1,06 | 0,98 | 0,93 |
| | 5 | 35,1 | 32,9 | 31,8 | 27,6 | 26,2 | 24 |
| | 73 | 1,38 | 1,30 | 1,25 | 1,09 | 1,03 | 0,94 |
| | 6 | 38,4 | 36 | 34,9 | 31,5 | 30,4 | 28,3 |
| | 87 | 1,51 | 1,42 | 1,37 | 1,24 | 1,20 | 1,11 |
| 3,2 x 6,3 x 14,5 mm 9/16" x 1/4" x 1/8" | 7 | 41 | 38,1 | 37,5 | 34,2 | 33,1 | 30,9 |
| | 102 | 1,61 | 1,50 | 1,48 | 1,35 | 1,30 | 1,22 |

T: Triang. CU < 85% CU 85-88% CU 88-92% CU > 92%



Performance nozzle tables VYR-155

Long range nozzles (long vane) + plug

| NOZZLE | 8 x 6,3 x 3,2 mm 5/6 x 1/4 x 1/8" | | 9 x 6,3 x 3,2 mm 11/32 x 1/4 x 1/8" | | 10 x 6,3 x 3,2 mm 13/32 x 1/4 x 1/8" | | 11 x 6,3 x 3,2 mm 7/16 x 1/4 x 1/8" | | 12 x 6,3 x 3,2 mm 15/32 x 1/4 x 1/8" | | 13 x 6,3 x 3,2 mm 1/2 x 1/4 x 1/8" | | 14 x 6,3 x 3,2 mm 9/16 x 1/4 x 1/8" | |
|--------|--------------------------------------|---------------------------|--|---------------------------|---|---------------------------|--|---------------------------|---|---------------------------|---------------------------------------|---------------------------|--|---------------------------|
| | BAR PSI | L/H GPH Ø m Ø ft | L/H GPH Ø m Ø ft | L/H GPH Ø m Ø ft | L/H GPH Ø m Ø ft | L/H GPH Ø m Ø ft | L/H GPH Ø m Ø ft | L/H GPH Ø m Ø ft | L/H GPH Ø m Ø ft | L/H GPH Ø m Ø ft | L/H GPH Ø m Ø ft | L/H GPH Ø m Ø ft | L/H GPH Ø m Ø ft | L/H GPH Ø m Ø ft |
| 4 | 8500 | 51 | 9600 | 52 | 11000 | 53 | 12000 | 56 | 13200 | 57 | 15000 | 59 | 17000 | 63 |
| 58 | 2245 | 167 | 2536 | 171 | 2906 | 174 | 3170 | 184 | 3487 | 187 | 3963 | 194 | 4491 | 207 |
| 5 | 9500 | 53 | 10800 | 54 | 12300 | 55 | 13400 | 58 | 14900 | 60 | 17000 | 62 | 19100 | 65 |
| 73 | 2510 | 174 | 2853 | 177 | 3249 | 180 | 3540 | 190 | 3936 | 197 | 4491 | 203 | 5046 | 213 |
| 6 | 10400 | 54 | 11700 | 55 | 13500 | 58 | 14700 | 61 | 16500 | 62 | 18800 | 64 | 20800 | 67 |
| 87 | 2747 | 177 | 3091 | 180 | 3566 | 190 | 3883 | 200 | 4359 | 203 | 4966 | 210 | 5495 | 220 |
| 7 | 11200 | 56 | 12800 | 57 | 14600 | 60 | 16000 | 63 | 18000 | 64 | 20300 | 66 | 22300 | 69 |
| 102 | 2959 | 184 | 3381 | 187 | 3857 | 197 | 4227 | 207 | 4755 | 210 | 5363 | 217 | 5891 | 226 |

Standard Ø: Diameter range

- Sprinklers will be supplied with standard nozzles unless otherwise specified.
- In order to calculate the flow, add the flows of the two nozzles. The range of the rear nozzle must be less than that of the main nozzle.
- These results has been obtained at indoor laboratory with 0 m/s eg win velocity. Outdoor results may change range distances.







Agriculture

Part circle

LOW FLOW "PART CIRCLE"

- VYR-50 AG..... Pg. 90
- VYR-80 AG..... Pg. 92
- VYR-803 AG..... Pg. 94
- VYR-802 AG..... Pg. 96

MEDIUM FLOW "PART CIRCLE"

- VYR-60..... Pg. 98
- VYR-66..... Pg. 100
- VYR-67..... Pg. 102

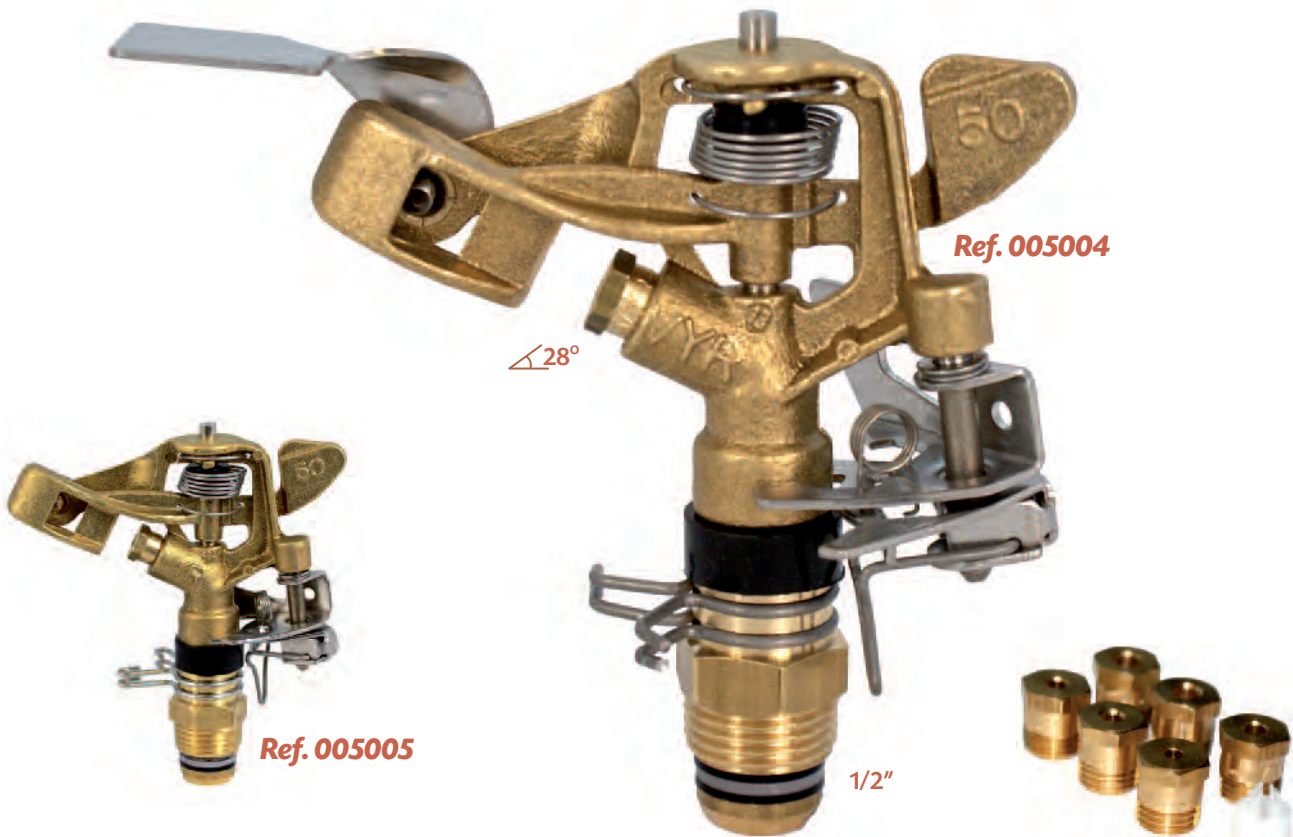
HIGH FLOW "PART CIRCLE"

- VYR-65..... Pg. 104
- VYR-166..... Pg. 106
- VYR-150..... Pg. 108
- VYR-160..... Pg. 110
- VYR-144 S..... Pg. 112
- VYR-175..... Pg. 114

HIGH FLOW GUNS "PART CIRCLE"

- VYR-100 GRILLO..... Pg. 116
- VYR-157..... Pg. 118

VYR-50 AG



VYR-50 AG · Part circle AG

GENERAL PROPERTIES:

- Riser-mounted impact sprinkler for gardening, agriculture, floriculture and greenhouses.
- 1/2" male connection.
- Made of brass and stainless steel.
- High-resistance rotating joints.
- Adjustable deflector plate.
- Irrigation area control system by adjustment of rotating clips.
- Adjustable jet breaker diffuser pin.

TECHNICAL SPECIFICATIONS:

- Range distance: 9 - 14 m / 30-46 ft.
- Flow: 240 - 1440 L/H / 63 - 380 GPH
- Working pressure: 1 - 4 BAR / 14 - 58 PSI.
- Area: Full or part circle.
- Nozzles: A single-jet nozzle.
- Trajectory angles: 28°
- Maximum stream height: 2,6 m / 8,5 ft.
- Rotation time: Depending on the pressure and the nozzles, the rotation will be constant and continuous.
- Uniformity coefficient higher than 90% in areas of 10x10R, 12x12T and 12x13T (meters).

APPLICATIONS:

- Public and private gardens.
- Horticultural plantations, floriculture and fruit trees.

MEASUREMENTS:

- Height: 13 cm / 5,1 in.
- Width: 12 cm / 4,7 in.
- Weight: 220 g / 0,50 Lbs
- Units per box: 50

OPTIONS:

- Threads in BSP or NPT under demand.
- Special design with a threaded shaft for fitting to the VYR-961 pop-up head.
- Self-compensating flow control valves of 1.5 and 2 BAR
- Assembled as a "complete support kit" on a 1.3 or 0.7 m galvanized stake with microtube and connectors.
- Assembled as a "complete support kit" on a brass, aluminium or plastic spike.
- Assembled as a "complete support kit" on an aluminium base.

MODELS:

- Ref. 005004:** Part (or full) circle with deflector.
- Ref. 005005:** Part (or full) circle without deflector.

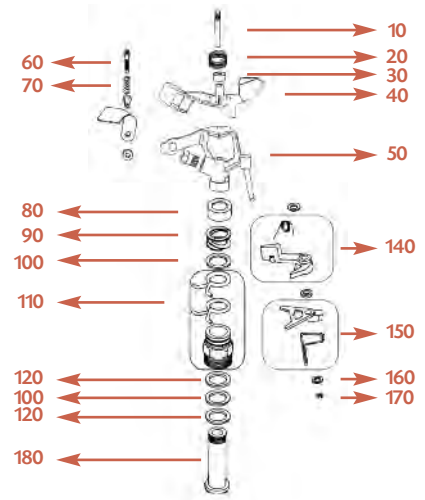
This sprinkler is strong and durable enough to work for many years in urban gardens in tough conditions, caused by vandalism and impact from maintenance equipment.

TABLES & PARTS

Technical guidance table VYR-50 AG

| NOZZLE | Spacing (m) / Precipit. rate (mm/h) Spacing (ft) / Precipit. rate (in/h) | | | | | | | |
|------------------|---|-------|---------|-------|---------|---------|---------|--|
| | BAR | 9x9 | 9x9 T | 9x10 | 10x10 T | 10x12 T | 12x12 T | |
| | PSI | 30x30 | 30x30 T | 33x33 | 33x33 T | 33x39 T | 39x39 T | |
| 3,6 mm 9/64" | 2,5 | 9,7 | 9,0 | 7,6 | 7,3 | 6,6 | 5,5 | |
| | 36 | 0,38 | 0,35 | 0,31 | 0,28 | 0,21 | 0,20 | |
| | 3 | 10,6 | 9,8 | 8,3 | 8,0 | 7,2 | 6,0 | |
| 4 mm 5/32" | 44 | 0,41 | 0,38 | 0,33 | 0,31 | 0,23 | 0,21 | |
| | 3,5 | 11,5 | 10,6 | 8,9 | 8,6 | 7,8 | 6,5 | |
| | 5 | 0,44 | 0,41 | 0,36 | 0,33 | 0,25 | 0,23 | |
| 4,4 mm 11/64" | 2,5 | 12,0 | 11,1 | 9,3 | 9,0 | 8,1 | 6,8 | |
| | 36 | 0,46 | 0,43 | 0,38 | 0,35 | 0,26 | 0,24 | |
| | 3 | 13,1 | 12,1 | 10,2 | 9,8 | 8,9 | 7,4 | |
| 4,4 mm 11/64" | 44 | 0,51 | 0,47 | 0,41 | 0,38 | 0,28 | 0,26 | |
| | 3,5 | 14,2 | 13,1 | 11,0 | 10,6 | 9,6 | 8,0 | |
| | 5 | 0,55 | 0,51 | 0,44 | 0,41 | 0,30 | 0,29 | |
| 4,4 mm 11/64" | 2,5 | 14,5 | 13,4 | 11,3 | 10,9 | 9,8 | 8,2 | |
| | 36 | 0,56 | 0,52 | 0,46 | 0,42 | 0,31 | 0,29 | |
| | 3 | 15,9 | 14,7 | 12,4 | 11,9 | 10,7 | 8,9 | |
| 4,4 mm 11/64" | 44 | 0,62 | 0,57 | 0,50 | 0,46 | 0,34 | 0,32 | |
| | 3,5 | 17,2 | 15,9 | 13,4 | 12,8 | 11,6 | 9,7 | |
| | 5 | 0,67 | 0,6 | 0,54 | 0,50 | 0,37 | 0,35 | |

T: Triang. CU < 85% CU 85-88% CU 88-92% CU > 92%



Performance nozzle tables VYR 50 AG

| NOZZLE | 2,4 mm | 2,8 mm | 3 mm | 3,2 mm | 3,5 mm | 4 mm | 4,4 mm | | | | | | | |
|--------|--------|--------|--------|--------|--------|-------|--------|------|-----|------|------|----|------|----|
| | 3/32" | 7/64" | 0,117" | 1/8" | 9/64" | 5/32" | 11/64" | | | | | | | |
| | L/H | Ø m | L/H | Ø m | L/H | Ø m | L/H | Ø m | L/H | Ø m | | | | |
| BAR | GPH | Ø ft | GPH | Ø ft | GPH | Ø ft | GPH | Ø ft | GPH | Ø ft | | | | |
| 1 | 240 | 18 | 310 | 19 | 360 | 19 | 400 | 20 | 480 | 20 | 620 | 21 | 760 | 22 |
| 15 | 63 | 59 | 82 | 62 | 95 | 62 | 106 | 66 | 127 | 66 | 164 | 69 | 201 | 72 |
| 1,5 | 300 | 19 | 370 | 19 | 440 | 20 | 480 | 21 | 570 | 21 | 750 | 22 | 910 | 23 |
| 22 | 79 | 62 | 98 | 62 | 116 | 66 | 127 | 69 | 150 | 69 | 198 | 72 | 240 | 75 |
| 2 | 340 | 20 | 420 | 20 | 500 | 21 | 550 | 21 | 660 | 22 | 850 | 23 | 1030 | 24 |
| 29 | 90 | 66 | 111 | 66 | 132 | 69 | 145 | 69 | 174 | 72 | 224 | 75 | 272 | 79 |
| 2,5 | 380 | 21 | 470 | 21 | 560 | 22 | 600 | 22 | 730 | 23 | 950 | 24 | 1150 | 25 |
| 36 | 100 | 69 | 124 | 69 | 148 | 72 | 158 | 72 | 193 | 75 | 251 | 79 | 304 | 82 |
| 3 | 410 | 22 | 520 | 22 | 610 | 23 | 660 | 23 | 800 | 23 | 1040 | 24 | 1270 | 25 |
| 44 | 108 | 72 | 137 | 72 | 161 | 75 | 174 | 75 | 211 | 75 | 275 | 79 | 335 | 82 |
| 3,5 | 450 | 23 | 560 | 23 | 650 | 23 | 710 | 23 | 860 | 24 | 1100 | 25 | 1350 | 26 |
| 5 | 119 | 75 | 148 | 75 | 172 | 75 | 187 | 75 | 227 | 79 | 290 | 82 | 356 | 85 |
| 4 | 480 | 24 | 600 | 24 | 690 | 24 | 760 | 24 | 910 | 25 | 1180 | 26 | 1440 | 27 |
| 58 | 127 | 79 | 158 | 79 | 182 | 79 | 201 | 79 | 240 | 82 | 312 | 85 | 380 | 89 |

Solamente para aspersores circulares.
Only for full circle series.



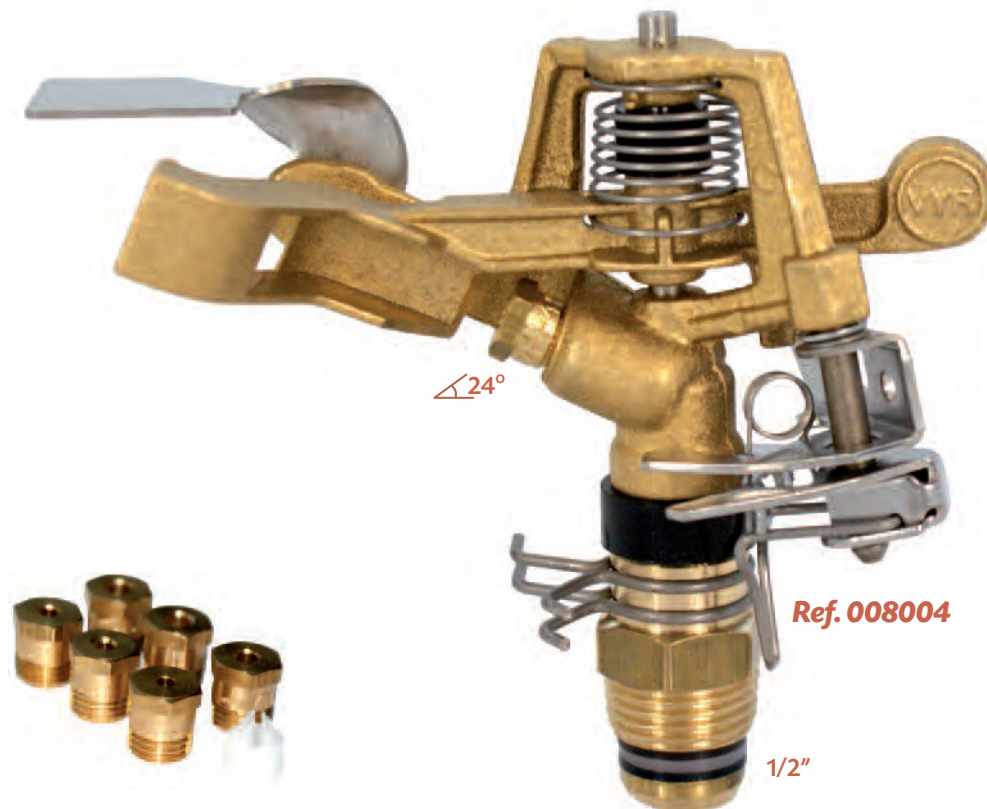
Standard Ø: Diameter range

- For optimum distribution avoid use in shady areas.
- Sprinklers will be supplied with standard nozzles unless otherwise specified.
- In order to calculate the flow, add the flows of the two nozzles. The range of the rear nozzle must be less than that of the main nozzle.
- These results has been obtained at indoor laboratory with 0 m/seg win velocity. Outdoor results may change range distances.

Easy part-circle adjustment



VYR-80 AG



VYR-80 AG · Part circle AG

GENERAL PROPERTIES:

- Riser-mounted impact sprinkler for gardening, agriculture, flower growing and greenhouses.
- 1/2" male connection.
- Made of brass and stainless steel.
- High-resistance rotating joints.
- Arm with anti-splash design.
- Adjustable deflector plate.
- Irrigation area system controlled by rotating clips.
- Adjustable jet breaker diffuser pin.

TECHNICAL SPECIFICATIONS:

- Range distance: 9 - 14 m / 30 - 46 ft.
- Flow: 460 - 1180 L/H / 121 - 312 GPH.
- Working pressure: 1,5 - 4 BAR / 22 - 58 PSI.
- Area: Full or part circle.
- Nozzles: A multi-jet nozzle.
- Trajectory angles: 24°
- Maximum stream height: 2.6 m / 8,5 ft.
- Rotation time: Adjustable. Depending on the pressure and the nozzles, the rotation will be constant and continuous.
- Uniformity coefficient higher than 90% in areas of 11x11R, 12x12T and 12x13T (meters).

APPLICATIONS:

- Public and private gardens.
- Horticultural plantations, floriculture and fruit trees.

MEASUREMENTS:

- Height: 14 cm / 5,5 in.
- Width: 12 cm / 4,7 in.
- Weight: 266 g / 0,58 Lbs.
- Units per box: 75

OPTIONS:

- Self-compensating flow control valves of 1.5 and 2 BAR
- Assembled as a "complete support kit" on a 1.3 or 0.7 m galvanized stake with microtube and connectors.
- Assembled as a "complete support kit" on a brass, aluminium or plastic spike.
- Assembled as a "complete support kit" on an aluminium base.

MODELS:

- Ref. 008001: Full circle with deflector.
- Ref. 008002: Full circle.
- Ref. 008004: Part (or full) circle with deflector.
- Ref. 008005: Part (or full) circle.

This sprinkler is strong and durable enough to work for many years in urban gardens in tough conditions, caused by vandalism and impact from maintenance equipment.

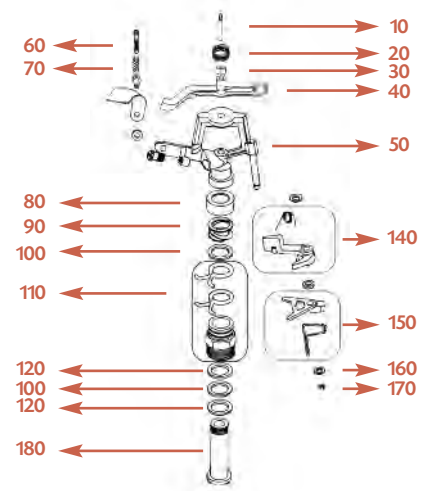


TABLES & PARTS

Technical guidance table VYR-80 AG

| NOZZLE | Spacing (m) / Precipit. rate (mm/h) Spacing (ft) / Precipit. rate (in/h) | | | | | | |
|-----------------|---|--------------|------------------|----------------|--------------------|----------------|--------------------|
| | BAR PSI | 9x9 30x30 | 9x9 T 30x30 T | 10x10 33x33 | 10x10 T 33x33 T | 10x12 33x39 | 12x12 T 39x39 T |
| 3 mm 0,2" | 2,5 | 7,7 | 7,4 | 6,3 | 5,3 | 4,6 | 3,5 |
| | 36 | 0,30 | 0,29 | 0,25 | 0,21 | 0,18 | 0,14 |
| | 3 | 8,2 | 7,8 | 6,6 | 6 | 5,2 | 4 |
| 3,5 mm 9/64" | 44 | 0,32 | 0,31 | 0,26 | 0,24 | 0,20 | 0,16 |
| | 3,5 | 8,9 | 8,4 | 7,9 | 7,6 | 6,8 | 5,5 |
| | 51 | 0,35 | 0,33 | 0,31 | 0,30 | 0,27 | 0,22 |
| 4 mm 5/32" | 2,5 | 9,7 | 9 | 7,6 | 7,3 | 6,6 | 5,5 |
| | 36 | 0,38 | 0,35 | 0,30 | 0,29 | 0,26 | 0,22 |
| | 3 | 10,6 | 9,8 | 8,3 | 8 | 7,2 | 6 |
| 3,5 | 44 | 0,42 | 0,39 | 0,33 | 0,31 | 0,28 | 0,24 |
| | 3,5 | 11,5 | 10,6 | 8,9 | 8,6 | 7,8 | 6,5 |
| | 5 | 0,45 | 0,42 | 0,35 | 0,34 | 0,31 | 0,26 |
| 2,5 | 12 | 11,1 | 9,3 | 9 | 8,1 | 6,8 | |
| | 36 | 0,47 | 0,44 | 0,37 | 0,35 | 0,32 | 0,27 |
| | 3 | 13,1 | 12,1 | 10,2 | 9,8 | 8,9 | 7,4 |
| 44 | 0,52 | 0,48 | 0,40 | 0,39 | 0,35 | 0,29 | |
| | 3,5 | 14,2 | 13,1 | 11 | 10,6 | 9,6 | 8 |
| | 5 | 0,56 | 0,52 | 0,43 | 0,42 | 0,38 | 0,31 |

T: Triang. CU < 85% CU 85-88% CU 88-92% CU > 92%



Performance nozzle tables VYR-80 AG

| NOZZLE | 3 mm 0,2" | | 3,5 mm 9/64" | | 4 mm 5/32" | |
|--------|--------------|---------------------------|---------------------------|---------------------------|---------------------------|---------------------------|
| | BAR PSI | L/H GPH Ø m Ø ft | L/H GPH Ø m Ø ft | L/H GPH Ø m Ø ft | L/H GPH Ø m Ø ft | L/H GPH Ø m Ø ft |
| 1,5 | 450 | 20 | 580 | 21 | 730 | 22 |
| 22 | 119 | 66 | 153 | 69 | 193 | 72 |
| 2 | 510 | 21 | 660 | 22 | 850 | 23 |
| 29 | 135 | 69 | 174 | 72 | 224 | 75 |
| 2,5 | 550 | 22 | 740 | 23 | 950 | 24 |
| 36 | 145 | 72 | 195 | 75 | 251 | 79 |
| 3 | 630 | 23 | 810 | 23 | 1030 | 24 |
| 44 | 166 | 75 | 214 | 75 | 272 | 79 |
| 3,5 | 680 | 23 | 870 | 24 | 1110 | 25 |
| 51 | 180 | 75 | 230 | 79 | 293 | 82 |
| 4 | 720 | 24 | 930 | 25 | 1180 | 26 |
| 58 | 190 | 79 | 246 | 82 | 312 | 85 |

Solamente para aspersores circulares.
Only for full circle series.

- For optimum distribution avoid use in shady areas.
- Sprinklers will be supplied with standard nozzles unless otherwise specified.
- In order to calculate the flow, add the flows of the two nozzles. The range of the rear nozzle must be less than that of the main nozzle.
- These results has been obtained at indoor laboratory with 0 m/seg win velocity. Outdoor results may change range distances.

Standard Ø: Diameter range



VYR-803 AG



VYR-803 AG · Part circle AG

GENERAL PROPERTIES:

- Riser-mounted impact sprinkler for gardening, horticulture, agriculture, floriculture and greenhouses.
- 1/2" male connection.
- Made of plastic and stainless steel.
- High-resistance rotating joints.
- Arm with anti-splash design.
- Spring tension regulation system.
- Upper "clip" for positioning inside a casing (VYR-962 AQUA-PRO).
- Adjustable diffuser pin.
- Irrigation area system controlled by rotating clips.
- Adjustable jet breaker diffuser pin.
- Its versatility and adaptability to all types of gardens make this model one of most common for home gardening.

TECHNICAL SPECIFICATIONS:

- Range distance: 10 - 13 m / 33 - 43 ft.
- Flow: 460 - 1180 L/H / 121 - 312 GPH.
- Working pressure: 1,5 - 4 BAR / 22 - 58 PSI.
- Area: Full or part circle.
- Nozzles: A bayonet nozzle (color coded).
- Trajectory angles: 25°
- Maximum stream height: 2.5 m / 8,2 ft.
- Rotation time: Adjustable. Depending on the pressure and the nozzles, the rotation will be constant and continuous.
- Uniformity coefficient higher than 90% in areas of 10x10R, 12x12T and 12x13T (metros).

APPLICATIONS:

- Public and private gardens.
- Horticultural plantations, floriculture and fruit trees.

MEASUREMENTS:

- Height: 13 cm / 6,3 in.
- Width: 12 cm / 4,7 in.
- Weight: 80 g / 0,18 Lbs
- Units per box: 100

OPTIONS:

- "Compact" Model with quick connection on a 130 cm or 70 cm stake.
- Special design with a threaded shaft for fitting to the pop-up head VYR-961.
- Self-compensating flow control valves of 1.5 and 2 BAR.
- Assembled as a "complete support kit" on a 1.3 or 0.7 m galvanized stake with microtube and connectors.
- Assembled as a "complete support kit" on a brass, aluminium or plastic spike.
- Assembled as a "complete support kit" on an aluminium base.

MODELS:

Ref. 008030: Sprinkler VYR-803.

This model is also used in low flow agricultural irrigation systems as a complementary part-circle model to VYR-26 and VYR-16.

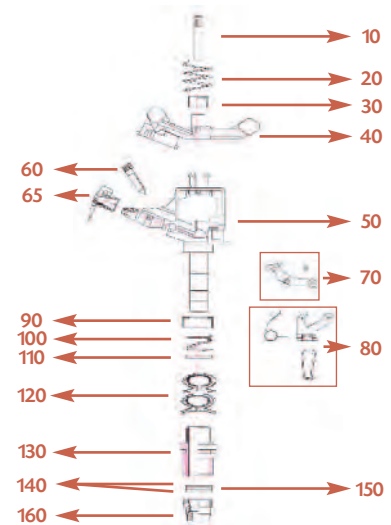


TABLES & PARTS

Technical guidance table VYR-803 AG

| NOZZLE | Spacing (m) / Precipit. rate (mm/h) Spacing (ft) / Precipit. rate (in/h) | | | | | | |
|-----------------|---|--------------|------------------|-------------------|----------------|----------------|----------------|
| | BAR PSI | 9x9 30x30 | 9x9 T 30x30 T | 9x10 T 30x33 T | 10x10 33x33 | 10x12 33x39 | 12x12 39x39 |
| 3 mm 0,12" | 2,5 | 6 | 5,6 | 4,7 | 4,9 | 4,1 | 3,4 |
| | 36 | 0,24 | 0,22 | 0,19 | 0,19 | 0,16 | 0,13 |
| | 3 | 6,8 | 6,2 | 5,3 | 5,5 | 4,6 | 3,8 |
| 3,5 mm 9/64" | 44 | 0,27 | 0,24 | 0,21 | 0,22 | 0,18 | 0,15 |
| | 3,5 | 7,4 | 6,8 | 5,8 | 6 | 5 | 4,2 |
| | 51 | 0,29 | 0,27 | 0,23 | 0,24 | 0,20 | 0,17 |
| 4 mm 5/32" | 2,5 | 8,7 | 8 | 6,8 | 7 | 5,9 | 4,9 |
| | 36 | 0,34 | 0,31 | 0,27 | 0,28 | 0,23 | 0,19 |
| | 3 | 9,7 | 9 | 7,6 | 7,9 | 6,6 | 5,5 |
| 4 mm 5/32" | 44 | 0,38 | 0,35 | 0,30 | 0,31 | 0,26 | 0,22 |
| | 3,5 | 10,6 | 9,8 | 8,3 | 8,6 | 7,2 | 6 |
| | 51 | 0,42 | 0,39 | 0,33 | 0,34 | 0,28 | 0,24 |
| 4 mm 5/32" | 2,5 | 10,7 | 9,9 | 8,3 | 8,7 | 7,2 | 6 |
| | 36 | 0,42 | 0,39 | 0,33 | 0,34 | 0,28 | 0,24 |
| | 3 | 12 | 11,1 | 9,3 | 9,7 | 8,1 | 6,8 |
| 4 mm 5/32" | 44 | 0,47 | 0,44 | 0,37 | 0,38 | 0,32 | 0,27 |
| | 3,5 | 13,1 | 12,1 | 10,2 | 10,6 | 8,9 | 7,4 |
| | 51 | 0,52 | 0,48 | 0,40 | 0,42 | 0,35 | 0,29 |

T: Triang. CU < 85% CU 85-88% CU 88-92% CU > 92%



Performance nozzle tables VYR-803 AG

| NOZZLE | 3 mm 0,12" | | 3,5 mm 9/64" | | 4 mm 5/32" | |
|--------|---------------|---------------------------|---------------------------|---------------------------|---------------------------|---------------------------|
| | BAR PSI | L/H GPH Ø m Ø ft | L/H GPH Ø m Ø ft | L/H GPH Ø m Ø ft | L/H GPH Ø m Ø ft | L/H GPH Ø m Ø ft |
| 2 | 360 | 17 | 540 | 21 | 684 | 23 |
| 29 | 95 | 56 | 143 | 69 | 181 | 75 |
| 2,5 | 468 | 23 | 612 | 24 | 756 | 25 |
| 36 | 124 | 75 | 162 | 79 | 200 | 82 |
| 3 | 504 | 23 | 684 | 24 | 828 | 25 |
| 44 | 133 | 75 | 181 | 79 | 219 | 82 |
| 3,5 | 540 | 24 | 720 | 25 | 900 | 26 |
| 51 | 143 | 79 | 190 | 82 | 238 | 85 |
| 4 | 576 | 24 | 792 | 25 | 936 | 26 |
| 58 | 152 | 79 | 209 | 82 | 247 | 85 |

- For optimum distribution avoid use in shady areas.
- Sprinklers will be supplied with standard nozzles unless otherwise specified.
- In order to calculate the flow, add the flows of the two nozzles. The range of the rear nozzle must be less than that of the main nozzle.
- These results has been obtained at indoor laboratory with 0 m/seg win velocity. Outdoor results may change range distances.

Standard Ø: Diameter range



Easy part-circle adjustment



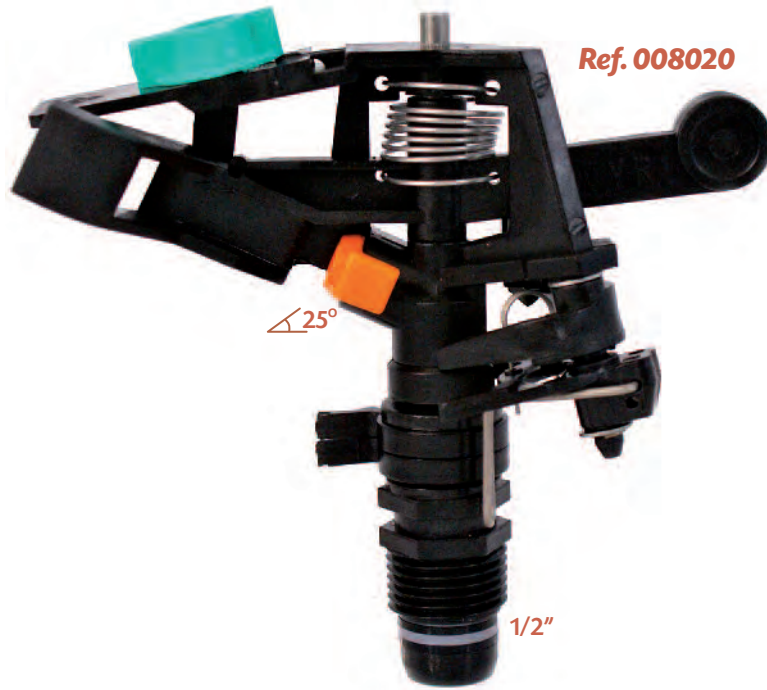
3 positions for the spring tension-speed selection



Difuser pin

Antiback-splash arm

VYR-802 AG



Ref. 008020



Ref. 00823



Ref. 008021

VYR-802 AG · Part Circle AG

GENERAL PROPERTIES:

- Part-circle plastic impact sprinkler "AQUA-PRO" serie for gardening, agriculture, floriculture and greenhouses.
- 1/2" male connection.
- Made of plastic, brass and stainless steel.
- High-resistance rotating joints.
- Arm with anti-splash design.
- Adjustable deflector plate.
- Upper "clip" for positioning inside a casing (VYR-962 AQUA-PRO).
- Irrigation area system controlled by rotating clips.
- Adjustable jet breaker diffuser pin.
- Its versatility and adaptability to all type of gardens make this model one of most common for home gardening.
- This model is also used in low flow agricultural irrigation systems as a complementary part-circle model to VYR-26 and VYR-16.

TECHNICAL SPECIFICATIONS:

- Reach: 10 - 13 m / 33 - 43 ft.
- Flow: 460 - 1180 L/H / 121 - 312 GPH.
- Working pressure: 1,5 - 4 BAR / 22 - 58 PSI.
- Area: Full or part circle.
- Nozzles: A multi-jet nozzle.
- Trajectory angles: 25°
- Maximum stream height: 2,5 m / 8,2 ft.
- Rotation time: Adjustable. Depending on the pressure and the nozzles, the rotation will be constant and continuous.
- Uniformity coefficient higher than 90% in areas of 10x10R, 12x12T and 12x13T (meters).

APPLICATIONS:

- Public and private gardens.
- Horticultural plantations, floriculture and fruit trees.

MEASUREMENTS:

- Height: 13 cm / 5,1 in.
- Width: 12 cm / 4,7 in.
- Weight: 80 g / 0,18 Lbs
- Units per box: 150

OPTIONS:

- Available with a brass arm for faster and more consistent rotation (in areas with strong winds).
- Self-compensating flow control valves of 2,5 BAR
- Assembled as a "complete support kit" on a 1.3 or 0.7 m galvanized stake with microtube and connectors.
- Assembled as a "complete support kit" on a brass, aluminium or plastic spike.
- Assembled as a "complete support kit" on an aluminium base.

MODELS:

- Ref. 008020: VYR-802 part-circle (standard).
- Ref. 008023: VYR-802 full-circle.
- Ref. 008021: VYR-802 part-circle with brass arm.
- Ref. 008025: VYR-802 full-circle with brass arm.

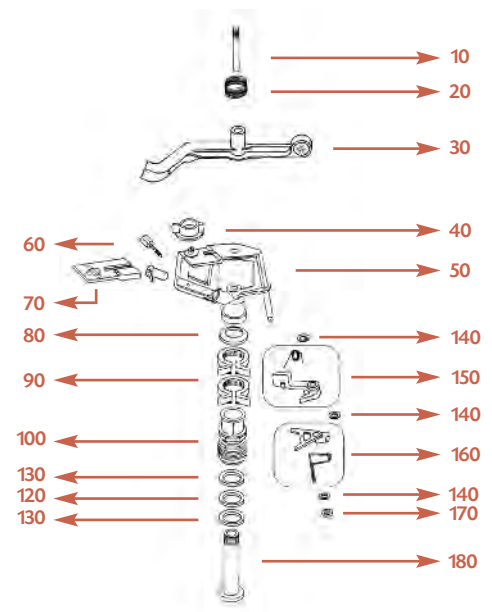


TABLES & PARTS

Technical guidance table VYR-802 AG

| NOZZLE | Spacing (m) / Precipit. rate (mm/h) Spacing (ft) / Precipit. rate (in/h) | | | | | | |
|-----------------|---|--------------|------------------|-------------------|--------------------|----------------|----------------|
| | BAR PSI | 9x9 30x30 | 9x9 T 30x30 T | 9x10 T 33x33 T | 10x10 T 33x33 T | 10x12 33x39 | 12x12 39x39 |
| 3 mm 0,12" | 2,5 36 | 6,7 0,26 | 6 0,24 | 4,6 0,18 | 4,3 0,17 | 4,1 0,16 | 3,5 0,14 |
| | 3 44 | 7,6 0,30 | 6,8 0,27 | 5,3 0,21 | 5 0,20 | 4,7 0,19 | 4 0,16 |
| | 3,5 51 | 8,5 0,33 | 7,6 0,30 | 5,9 0,23 | 5,6 0,22 | 5,3 0,21 | 4,5 0,18 |
| 3,5 mm 9/64" | 2,5 36 | 9 0,35 | 8,1 0,32 | 6,3 0,25 | 6 0,24 | 5,6 0,22 | 4,8 0,19 |
| | 3 44 | 10,1 0,40 | 9,1 0,36 | 7,2 0,28 | 6,8 0,27 | 6,4 0,25 | 5,4 0,21 |
| | 3,5 51 | 11,2 0,44 | 10,1 0,40 | 8 0,31 | 7,6 0,30 | 7,1 0,28 | 6 0,24 |
| 4 mm 5/32" | 2,5 36 | 11,5 0,45 | 10,4 0,41 | 8,3 0,33 | 7,9 0,31 | 7,3 0,29 | 6,2 0,24 |
| | 3 44 | 12,9 0,51 | 11,7 0,46 | 9,4 0,37 | 8,9 0,35 | 8,2 0,32 | 6,9 0,27 |
| | 3,5 51 | 14,2 0,56 | 12,9 0,51 | 10,4 0,41 | 9,8 0,39 | 9,1 0,36 | 7,7 0,30 |

T: Triang. CU < 85% CU 85-88% CU 88-92% CU > 92%



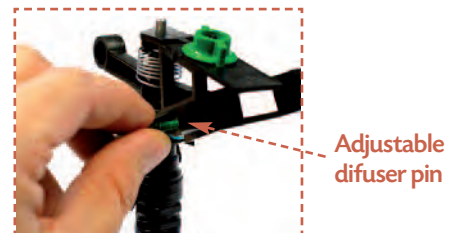
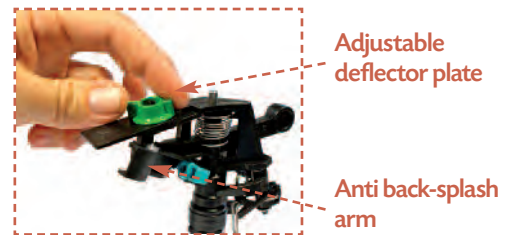
Performance nozzle tables VYR 802 AG

| NOZZLE | 3 mm 0,12" | | 3,5 mm 9/64" | | 4 mm 5/32" | |
|--------|---------------|---------------------------|---------------------------|---------------------------|---------------------------|---------------------------|
| | BAR PSI | L/H GPH Ø m Ø ft | L/H GPH Ø m Ø ft | L/H GPH Ø m Ø ft | L/H GPH Ø m Ø ft | L/H GPH Ø m Ø ft |
| 1,5 | 450 | 20 | 580 | 21 | 730 | 22 |
| 22 | 119 | 66 | 153 | 69 | 193 | 72 |
| 2 | 510 | 21 | 660 | 22 | 850 | 23 |
| 29 | 135 | 69 | 174 | 72 | 225 | 75 |
| 2,5 | 550 | 22 | 740 | 23 | 950 | 24 |
| 36 | 145 | 72 | 195 | 75 | 251 | 79 |
| 3 | 630 | 23 | 810 | 23 | 1030 | 24 |
| 44 | 166 | 75 | 214 | 75 | 272 | 79 |
| 3,5 | 680 | 23 | 870 | 24 | 1110 | 25 |
| 51 | 180 | 75 | 230 | 79 | 293 | 82 |
| 4 | 720 | 24 | 930 | 25 | 1180 | 26 |
| 58 | 190 | 79 | 246 | 82 | 312 | 85 |

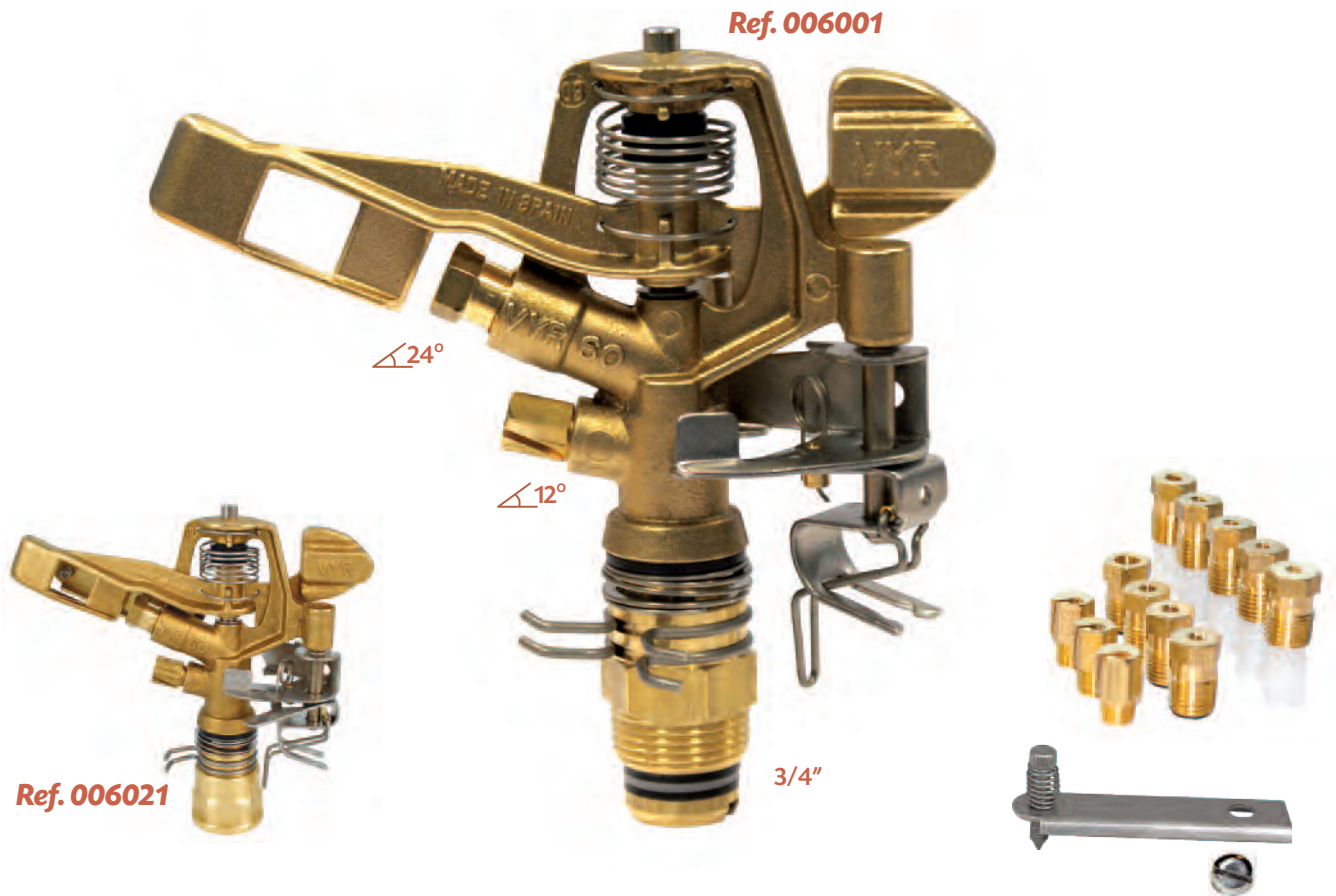
Solamente para aspersores circulares.
Only for full circle series.

Standard Ø: Diameter range

- Sprinklers will be supplied with standard nozzles unless otherwise specified.
- In order to calculate the flow, add the flows of the two nozzles. The range of the rear nozzle must be less than that of the main nozzle.
- These results has been obtained at indoor laboratory with 0 m/seg win velocity. Outdoor results may change range distances.



VYR-60



Ref. 006021

Ref. 006001

VYR-60 · Part circle AG

GENERAL PROPERTIES:

- Part circle impact sprinkler, medium flow.
- 3/4" male or female connection.
- Made of brass and stainless steel.
- High-resistance rotating joints.
- Nozzle angles of 24° and 12°
- Part circle mechanical system using clips that are very easy and quick to adjust.
- Used in full coverage irrigation with medium flow to cover the side and corner areas.

TECHNICAL SPECIFICATIONS:

- Reach: 12 - 19 m / 39 - 62 ft.
- Flow: 800 - 3270 L/H / 211 - 863 GPH
- Working pressure: 1.75 - 5 BAR / 25 - 72 PSI.
- Area: Part or full circle.
- Nozzles: One main long reach nozzle and a secondary short reach nozzle.
- Trajectory angles: 24° and 12°
- Maximum stream height: 3.8 m / 12,5 ft.
- Rotation time: Depending on the pressure and the nozzles, the rotation will be constant and continuous.
- Uniformity coefficient higher than 90% in areas of 15x18R, 18x18T and 18x20T (meters).

APPLICATIONS:

- Horticultural plantations, cereals, tubers, leguminous plants and fruit trees.

MEASUREMENTS:

- Height: 16 cm / 6,3 in.
- Width: 18 cm / 7,1 in.
- Weight: 608 g / 1,34 Lbs.
- Units per box: 25

OPTIONS:

- Threads in BSP or NPT under demand.
- Plate with diffuser pin for the main jet.
- Foldable tripod for mobile installation.

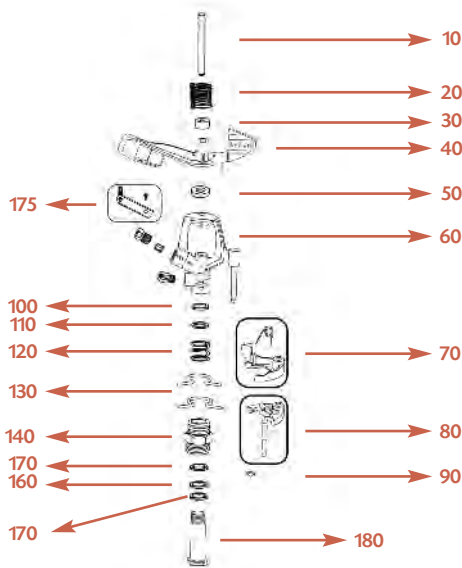
MODELS:

- Ref. 006001: Without diffuser pin. Male.
- Ref. 006003: With diffuser pin. Male.
- Ref. 006020: Without diffuser pin. Female.
- Ref. 006021: With diffuser pin. Female.
- Ref. 106000: Diffuser pin assembly.

Special mechanical and hydraulic design for energy saving and an optimal coverage coefficient.



TABLES & PARTS



Easy to unblock the part circle sector part

Performance nozzle tables VYR-60

Long range nozzles (long vane) + plug

| NOZZLE | 3,2 mm 1/8" | | 3,6 mm 9/64" | | 4 mm 5/32" | | 4,4 mm 11/64" | | 4,8 mm 3/16" | | 5,2 mm 13/64" | | 5,6 mm 7/32" | |
|--------|----------------|------------|-----------------|------------|---------------|------------|------------------|------------|-----------------|------------|------------------|------------|-----------------|------------|
| | BAR PSI | L/H GPH | Ø m Ø ft | L/H GPH | Ø m Ø ft | L/H GPH | Ø m Ø ft | L/H GPH | Ø m Ø ft | L/H GPH | Ø m Ø ft | L/H GPH | Ø m Ø ft | L/H GPH |
| 2,5 | 620 | 26 | 790 | 26,5 | 970 | 27,5 | 1160 | 30 | 1390 | 32 | 1640 | 32,5 | 1720 | 34 |
| 36 | 164 | 85 | 209 | 87 | 256 | 90 | 306 | 98 | 367 | 105 | 433 | 107 | 454 | 112 |
| 3 | 680 | 26 | 860 | 26,5 | 1050 | 28 | 1270 | 30,5 | 1510 | 32 | 1790 | 33,5 | 1880 | 35 |
| 44 | 180 | 85 | 227 | 87 | 277 | 92 | 335 | 100 | 399 | 105 | 473 | 110 | 496 | 115 |
| 3,5 | 740 | 26,5 | 930 | 27 | 1140 | 29,5 | 1380 | 31,5 | 1640 | 33 | 1930 | 34,5 | 2140 | 36 |
| 51 | 195 | 87 | 246 | 89 | 301 | 97 | 364 | 103 | 433 | 108 | 510 | 113 | 565 | 118 |
| 4 | 790 | 26,5 | 1000 | 28 | 1220 | 29,5 | 1470 | 32,5 | 1750 | 34 | 2060 | 35,5 | 2240 | 37 |
| 58 | 209 | 87 | 264 | 92 | 322 | 97 | 388 | 107 | 462 | 112 | 544 | 116 | 591 | 121 |
| 4,5 | 840 | 27 | 1060 | 29 | 1290 | 30 | 1550 | 33,5 | 1860 | 35 | 2180 | 36 | 2410 | 38,5 |
| 65 | 222 | 89 | 280 | 95 | 341 | 98 | 409 | 110 | 491 | 115 | 576 | 118 | 636 | 126 |
| 5 | 880 | 27,5 | 1120 | 29,5 | 1360 | 30,5 | 1640 | 34 | 1960 | 36 | 2290 | 37,5 | 2520 | 39,5 |
| 73 | 232 | 90 | 296 | 97 | 359 | 100 | 433 | 112 | 517 | 118 | 605 | 123 | 665 | 130 |
| 5,5 | 930 | 28 | 1170 | 30 | 1430 | 31 | 1720 | 35 | 2060 | 36,5 | 2380 | 38 | 2640 | 40 |
| 80 | 246 | 92 | 309 | 98 | 378 | 102 | 454 | 115 | 544 | 120 | 628 | 125 | 697 | 131 |

(Sprinkler at 1m height)



Long range nozzles (long vane) + short range nozzle

| NOZZLE | 3,2 x 2,4 mm 1/8 x 3/32" | | 3,6 x 2,4 mm 9/64 x 3/32" | | 4 x 2,4 mm 5/32 x 3/32" | | 4,4 x 2,4 mm 11/64 x 3/32" | | 4,4 x 2,8 mm 11/64 x 7/64" | | 4,8 x 2,8 mm 3/16 x 7/64" | | 4,8 x 3,2 mm 3/16 x 1/8" | | 5,2 x 3,2 mm 13/64 x 1/8" | | 5,6 x 3,2 mm 7/32 x 1/8" | |
|--------|-----------------------------|------------|------------------------------|------------|----------------------------|------------|-------------------------------|------------|-------------------------------|------------|------------------------------|------------|-----------------------------|------------|------------------------------|------------|-----------------------------|------------|
| | BAR PSI | L/H GPH | Ø m Ø ft | L/H GPH | Ø m Ø ft | L/H GPH | Ø m Ø ft | L/H GPH | Ø m Ø ft | L/H GPH | Ø m Ø ft | L/H GPH | Ø m Ø ft | L/H GPH | Ø m Ø ft | L/H GPH | Ø m Ø ft | L/H GPH |
| 2,5 | 980 | 26 | 1150 | 26,5 | 1320 | 27,5 | 1520 | 30 | 1730 | 30 | 1895 | 32 | 2050 | 32 | 2310 | 32,5 | 2460 | 34 |
| 36 | 259 | 85 | 304 | 87 | 349 | 90 | 402 | 98 | 457 | 98 | 501 | 105 | 542 | 105 | 610 | 107 | 650 | 112 |
| 3 | 1070 | 26 | 1250 | 26,5 | 1450 | 28 | 1670 | 30,5 | 1800 | 30,5 | 2100 | 32 | 2240 | 32 | 2520 | 33,5 | 2730 | 35 |
| 44 | 283 | 85 | 330 | 87 | 383 | 92 | 441 | 100 | 476 | 100 | 555 | 105 | 592 | 105 | 666 | 110 | 721 | 115 |
| 3,5 | 1160 | 26,5 | 1350 | 27 | 1560 | 29,5 | 1800 | 31,5 | 1915 | 31,5 | 2255 | 33 | 2420 | 33 | 2720 | 34,5 | 2915 | 36 |
| 51 | 306 | 87 | 357 | 89 | 412 | 97 | 476 | 103 | 506 | 103 | 596 | 108 | 639 | 108 | 719 | 113 | 770 | 115 |
| 4 | 1240 | 26,5 | 1450 | 28 | 1670 | 29,5 | 1920 | 32,5 | 2070 | 32,5 | 2400 | 34 | 2590 | 34 | 2910 | 35,5 | 3035 | 37 |
| 58 | 328 | 87 | 383 | 92 | 441 | 97 | 507 | 107 | 547 | 107 | 634 | 112 | 684 | 112 | 769 | 116 | 802 | 121 |
| 4,5 | 1320 | 27 | 1540 | 29 | 1770 | 30 | 2030 | 33,5 | 2165 | 33,5 | 2545 | 35 | 2750 | 35 | 3070 | 36 | 3170 | 38,5 |
| 65 | 349 | 89 | 407 | 95 | 468 | 98 | 536 | 110 | 572 | 110 | 672 | 115 | 726 | 115 | 811 | 118 | 837 | 126 |
| 5 | 1360 | 27,5 | 1620 | 29,5 | 1870 | 30,5 | 2140 | 34 | 2300 | 34 | 2680 | 36 | 2880 | 36 | 3230 | 37,5 | 3300 | 39,5 |
| 73 | 359 | 90 | 428 | 97 | 494 | 100 | 565 | 112 | 608 | 112 | 708 | 118 | 761 | 118 | 853 | 123 | 872 | 130 |
| 5,5 | 1460 | 28 | 1700 | 30 | 1960 | 31 | 2240 | 35 | 2400 | 35 | 2810 | 36,5 | 3010 | 36,5 | 3360 | 38 | 3430 | 40 |
| 80 | 386 | 92 | 449 | 98 | 518 | 102 | 592 | 115 | 634 | 115 | 742 | 120 | 795 | 120 | 888 | 125 | 906 | 131 |

Standard Ø: Diameter range

(Sprinkler at 1m height)

- For optimum distribution avoid use in shady areas.
- Sprinklers will be supplied with standard nozzles unless otherwise specified.
- In order to calculate the flow, add the flows of the two nozzles. The range of the rear nozzle must be less than that of the main nozzle.
- These results has been obtained at indoor laboratory with 0 m/seg win velocity. Outdoor results may change range distances.



VYR-66



VYR-66 · Part circle AG

GENERAL PROPERTIES:

- Part circle impact sprinkler, medium flow.
- 3/4" male or female connection.
- Made of plastic and stainless steel.
- Arm with 2 steel weights inserted.
- High-resistance rotating joints.
- Nozzle angles of 30° and 11°
- Part circle mechanical system using clips that are very easy and quick to adjust.
- Used in full coverage irrigation with medium flow to cover the side and corner areas.
- Special mechanical and hydraulic design for energy saving and an optimal coverage coefficient.

TECHNICAL SPECIFICATIONS:

- Reach: 12 - 19 m / 39 - 62 ft.
- Flow: 800 - 3,270 L/H / 211 - 863 GPH
- Working pressure: 1.75 - 5 BAR / 25 - 72 PSI.
- Area: Part or full circle.
- Nozzles: One main long reach nozzle and a secondary short reach nozzle.
- Trajectory angles: 30° and 11°
- Maximum stream height: 4.0 m / 13,1 ft.
- Rotation time: Depending on the pressure and the nozzles, the rotation will be constant and continuous.
- Uniformity coefficient higher than 90% in areas of 15x18R, 18x18T and 20x18T (meters).

APPLICATIONS:

- Horticultural plantations, cereals, tubers, leguminous and fruit trees.

MEASUREMENTS:

- Height: 16 cm / 6,3 in.
- Width: 18 cm / 7,1 in.
- Weight: 182 g / 0,40 Lbs.
- Units per box: 50

OPTIONS:

- Threads in BSP or NPT under demand.
- Plate with diffuser pin for the main jet.
- Foldable tripod for mobile installation.

MODELS:

Ref. 006600: Male without diffuser pin.

Ref. 006610: Male with diffuser pin.

Ref. 006620: Female without diffuser pin.

Ref. 006621: Female with diffuser pin.

Ref. 006603: Male without diffuser pin + AF Cap.

Ref. 006613: Male with diffuser pin + AF Cap.

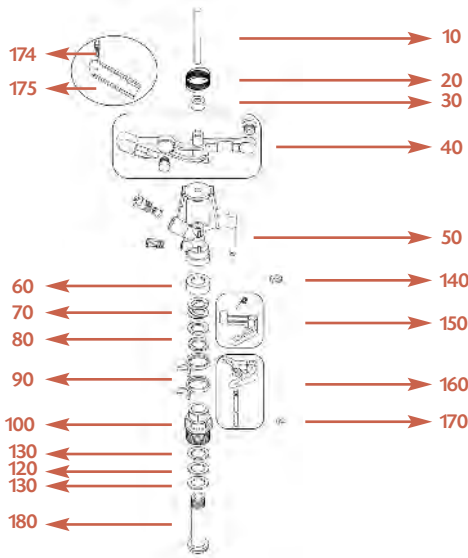
Ref. 006623: Female without diffuser pin + AF Cap.

Ref. 006633: Female without diffuser pin + AF Cap.

Ref. 106600: Diffuser pin assembly.



TABLES & PARTS



Arm weights



Performance nozzle tables VYR-66

Long range nozzles (long vane) + plug

| NOZZLE | 3,2 mm 1/8" | | 3,6 mm 9/64" | | 4 mm 5/32" | | 4,4 mm 11/64" | | 4,8 mm 3/16" | | 5,2 mm 13/64" | | 5,6 mm 7/32" | |
|--------|----------------|------------|-----------------|------------|---------------|------------|------------------|------------|-----------------|------------|------------------|------------|-----------------|------------|
| | BAR PSI | L/H GPH | Ø m Ø ft | L/H GPH | Ø m Ø ft | L/H GPH | Ø m Ø ft | L/H GPH | Ø m Ø ft | L/H GPH | Ø m Ø ft | L/H GPH | Ø m Ø ft | L/H GPH |
| 2,5 | 620 | 26 | 790 | 26,5 | 970 | 27,5 | 1160 | 29 | 1390 | 31 | 1640 | 31,5 | 1720 | 33 |
| 36 | 164 | 85 | 209 | 87 | 256 | 90 | 306 | 95 | 367 | 102 | 433 | 103 | 454 | 108 |
| 3 | 680 | 26 | 860 | 26,5 | 1050 | 28 | 1270 | 29,5 | 1510 | 32 | 1790 | 32,5 | 1880 | 34 |
| 44 | 180 | 85 | 227 | 87 | 277 | 92 | 335 | 97 | 399 | 105 | 473 | 107 | 496 | 112 |
| 3,5 | 740 | 26,5 | 930 | 27 | 1140 | 29,5 | 1380 | 31 | 1640 | 33 | 1930 | 33,5 | 2140 | 35 |
| 51 | 195 | 87 | 246 | 89 | 301 | 97 | 364 | 102 | 433 | 108 | 510 | 110 | 565 | 115 |
| 4 | 790 | 26,5 | 1000 | 28 | 1220 | 29,5 | 1470 | 32 | 1750 | 33,5 | 2060 | 34,5 | 2240 | 36 |
| 58 | 209 | 87 | 264 | 92 | 322 | 97 | 388 | 105 | 462 | 110 | 544 | 113 | 591 | 118 |
| 4,5 | 840 | 27 | 1060 | 29 | 1290 | 30 | 1550 | 32,5 | 1860 | 34 | 2180 | 35 | 2410 | 36,5 |
| 65 | 222 | 89 | 280 | 95 | 341 | 98 | 409 | 107 | 491 | 112 | 576 | 115 | 636 | 120 |
| 5 | 880 | 27,5 | 1120 | 29,5 | 1360 | 30,5 | 1640 | 33 | 1960 | 34,5 | 2290 | 35,5 | 2520 | 37,5 |
| 73 | 232 | 90 | 296 | 97 | 359 | 100 | 433 | 108 | 517 | 113 | 605 | 116 | 665 | 123 |
| 5,5 | 930 | 28 | 1170 | 30 | 1430 | 31 | 1720 | 34 | 2060 | 36 | 2380 | 36 | 2640 | 39 |
| 80 | 246 | 92 | 309 | 98 | 378 | 102 | 454 | 112 | 544 | 118 | 628 | 118 | 697 | 128 |



Difuser pin plate



Easy part-circle adjustment

(Sprinkler at 1m height)

Long range nozzles (long vane) + short range nozzle

| NOZZLE | 3,2 x 2,4 mm 1/8 x 3/32" | | 3,6 x 2,4 mm 9/64 x 3/32" | | 4 x 2,4 mm 5/32 x 3/32" | | 4,4 x 2,4 mm 11/64 x 3/32" | | 4,4 x 2,8 mm 11/64 x 7/64" | | 4,8 x 2,8 mm 3/16 x 7/64" | | 4,8 x 3,2 mm 3/16 x 1/8" | | 5,2 x 3,2 mm 13/64 x 1/8" | | 5,6 x 3,2 mm 7/32 x 1/8" | |
|--------|-----------------------------|------------|------------------------------|------------|----------------------------|------------|-------------------------------|------------|-------------------------------|------------|------------------------------|------------|-----------------------------|------------|------------------------------|------------|-----------------------------|------------|
| | BAR PSI | L/H GPH | Ø m Ø ft | L/H GPH | Ø m Ø ft | L/H GPH | Ø m Ø ft | L/H GPH | Ø m Ø ft | L/H GPH | Ø m Ø ft | L/H GPH | Ø m Ø ft | L/H GPH | Ø m Ø ft | L/H GPH | Ø m Ø ft | L/H GPH |
| 2,5 | 980 | 26 | 1150 | 26,5 | 1320 | 27,5 | 1520 | 29 | 1730 | 30,6 | 1895 | 31 | 2050 | 31 | 2310 | 31,5 | 2460 | 33 |
| 36 | 259 | 85 | 304 | 87 | 348 | 90 | 401 | 95 | 457 | 100 | 500 | 102 | 541 | 102 | 610 | 103 | 649 | 108 |
| 3 | 1070 | 26 | 1250 | 26,5 | 1450 | 28 | 1670 | 29,5 | 1800 | 31,6 | 2100 | 32 | 2240 | 32 | 2520 | 32,5 | 2730 | 34 |
| 44 | 282 | 85 | 330 | 87 | 383 | 92 | 441 | 97 | 475 | 104 | 554 | 105 | 591 | 105 | 665 | 107 | 721 | 112 |
| 3,5 | 1160 | 26,5 | 1350 | 27 | 1560 | 29,5 | 1800 | 31 | 1915 | 32 | 2255 | 33 | 2420 | 33 | 2720 | 33,5 | 2915 | 35 |
| 51 | 306 | 87 | 356 | 89 | 412 | 97 | 475 | 102 | 506 | 105 | 595 | 108 | 639 | 108 | 718 | 110 | 770 | 115 |
| 4 | 1240 | 26,5 | 1450 | 28 | 1670 | 29,5 | 1920 | 32 | 2070 | 32,4 | 2400 | 33,5 | 2590 | 33,5 | 2910 | 34,5 | 3035 | 36 |
| 58 | 327 | 87 | 383 | 92 | 441 | 97 | 507 | 105 | 546 | 106 | 634 | 110 | 684 | 110 | 768 | 113 | 801 | 118 |
| 4,5 | 1320 | 27 | 1540 | 29 | 1770 | 30 | 2030 | 32,5 | 2165 | 33 | 2545 | 34 | 2750 | 34 | 3070 | 35 | 3170 | 36,5 |
| 65 | 348 | 89 | 407 | 95 | 467 | 98 | 536 | 107 | 572 | 108 | 672 | 112 | 726 | 112 | 810 | 115 | 837 | 120 |
| 5 | 1360 | 27,5 | 1620 | 29,5 | 1870 | 30,5 | 2140 | 33 | 2300 | 33,4 | 2680 | 34,5 | 2880 | 34,5 | 3230 | 35,5 | 3300 | 37,5 |
| 73 | 359 | 90 | 428 | 97 | 494 | 100 | 565 | 108 | 607 | 110 | 708 | 113 | 760 | 113 | 853 | 116 | 871 | 123 |
| 5,5 | 1460 | 28 | 1700 | 30 | 1960 | 31 | 2240 | 34 | 2400 | 33,8 | 2810 | 36 | 3010 | 36 | 3360 | 36 | 3430 | 39 |
| 80 | 385 | 92 | 449 | 98 | 517 | 102 | 591 | 112 | 634 | 111 | 742 | 118 | 795 | 118 | 887 | 118 | 906 | 128 |

Standard Ø: Diameter range

(Sprinkler at 1m height)

- For optimum distribution avoid use in shady areas.
- Sprinklers will be supplied with standard nozzles unless otherwise specified.
- In order to calculate the flow, add the flows of the two nozzles. The range of the rear nozzle must be less than that of the main nozzle.
- These results has been obtained at indoor laboratory with 0 m/seg win velocity. Outdoor results may change range distances.

VYR-67



Ref. 006703



VYR-67 · Part circle AG

GENERAL PROPERTIES:

- Part circle impact sprinkler, medium flow.
- 3/4" male or female connection.
- Made of plastic and stainless steel.
- Arm without weights.
- High-resistance rotating joints.
- Two (2) bayonet nozzle with angles of 30° and 12°
- Part circle mechanical system using omega-clips that are very easy and quick to adjust.
- Used in full coverage irrigation with medium flow to cover the side.

TECHNICAL SPECIFICATIONS:

- Reach: 12 - 19 m / 39 - 62 ft.
- Flow: 800 - 3270 L/H / 211-863 GPH
- Working pressure: 1,75 - 5 BAR / 25 - 72 PSI.
- Area: Part or full circle.
- Nozzles: One main long reach nozzle and a secondary short reach nozzle.
- Trajectory angles: 30° and 12°
- Maximum stream height: 4 m / 13,1 ft.
- Rotation time: Depending on the pressure and the nozzles, the rotation will be constant and continuous.
- Uniformity coefficient higher than 90% in areas of 15x18R, 18x18T and 18x20T (meters).

APPLICATIONS:

- Horticultural plantations, cereals, tubers, leguminous plants and fruit trees.

MEASUREMENTS:

- Height: 16 cm / 6,3 in.
- Width: 18 cm / 7,1 in.
- Weight: 160 g/ 0,40 Lbs.
- Units per box: 50

OPTIONS:

- Threads in BSP or NPT under demand.
- Plate with diffuser pin for the main jet.
- Foldable tripod for mobile installation.

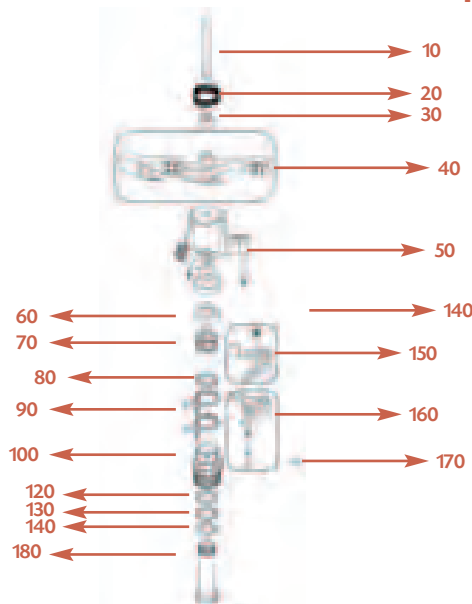
MODELS:

- Ref. 006700: Male.
- Ref. 006720: Female.
- Ref. 006703: Male + Cap.
- Ref. 006723: Female + Cap.

Special mechanical and hydraulic design for energy saving and an optimal coverage coefficient.



TABLES & PARTS



Performance nozzle tables VYR-67

Long range nozzles (long vane) + plug

| NOZZLE | 3,6 mm 9/64" | | 4 mm 5/32" | | 4,4 mm 11/64" | | 4,8 mm 3/16" | | 5,2 mm 13/64" | | 5,6 mm 7/32" | |
|--------|-----------------|------------|---------------|------------|------------------|------------|-----------------|------------|------------------|------------|-----------------|------------|
| | BAR PSI | L/H GPH | Ø m Ø ft | L/H GPH | Ø m Ø ft | L/H GPH | Ø m Ø ft | L/H GPH | Ø m Ø ft | L/H GPH | Ø m Ø ft | L/H GPH |
| 2 | 695 | 26 | 930 | 26,5 | 1085 | 27,5 | 1290 | 29 | 1475 | 31 | 1550 | 32,5 |
| 29 | 183 | 85 | 246 | 87 | 286 | 90 | 341 | 95 | 389 | 102 | 409 | 107 |
| 2,5 | 770 | 26 | 1045 | 26,5 | 1225 | 28 | 1430 | 29,5 | 1640 | 32 | 1720 | 33,5 |
| 36 | 203 | 85 | 276 | 87 | 323 | 92 | 378 | 97 | 433 | 105 | 454 | 110 |
| 3 | 845 | 26,5 | 1150 | 27 | 1330 | 29,5 | 1570 | 31 | 1800 | 33 | 1880 | 34,5 |
| 44 | 223 | 87 | 304 | 89 | 351 | 97 | 414 | 102 | 475 | 108 | 496 | 113 |
| 3,5 | 910 | 26,5 | 1240 | 28 | 1445 | 29,5 | 1670 | 32 | 1955 | 33,5 | 2140 | 35 |
| 51 | 240 | 87 | 327 | 92 | 381 | 97 | 441 | 105 | 516 | 110 | 565 | 115 |
| 4 | 970 | 27 | 1320 | 29 | 1560 | 30 | 1825 | 32,5 | 2110 | 34 | 2240 | 35,5 |
| 58 | 256 | 89 | 348 | 95 | 412 | 98 | 482 | 107 | 557 | 112 | 591 | 116 |
| 4,5 | 1025 | 27,5 | 1415 | 29,5 | 1662 | 30,5 | 1950 | 33 | 2225 | 34,5 | 2410 | 36 |
| 65 | 271 | 90 | 374 | 97 | 439 | 100 | 515 | 108 | 587 | 113 | 636 | 118 |



Tool for quick-coupling bayonet nozzles

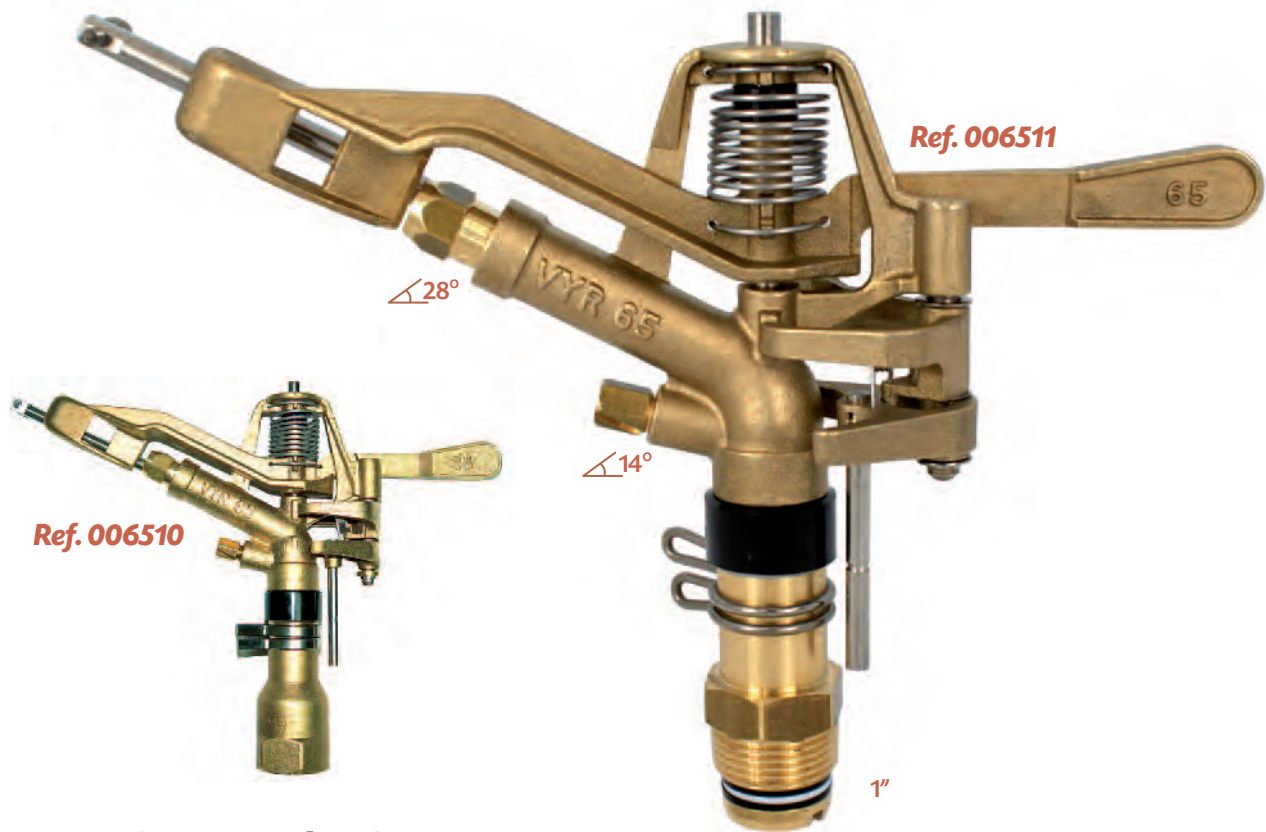
Long range nozzles (long vane) + short range nozzle

| NOZZLE | 3,6 x 2,6 mm 9/64 x 3/24" | | 4 x 2,4 mm 5/32 x 3/32" | | 4 x 2,6 mm 5/32 x 3/24" | | 4,4 x 2,6 mm 11/64 x 3/24" | | 4,8 x 3,2 mm 3/16 x 1/8" | | 5,2 x 3,2 mm 13/64 x 1/8" | | 5,6 x 3,2 mm 7/32 x 1/8" | |
|--------|------------------------------|------------|----------------------------|------------|----------------------------|------------|-------------------------------|------------|-----------------------------|------------|------------------------------|------------|-----------------------------|------------|
| | BAR PSI | L/H GPH | Ø m Ø ft | L/H GPH | Ø m Ø ft | L/H GPH | Ø m Ø ft | L/H GPH | Ø m Ø ft | L/H GPH | Ø m Ø ft | L/H GPH | Ø m Ø ft | L/H GPH |
| 2 | 1010 | 26 | 1205 | 26,5 | 1230 | 26,5 | 1375 | 27,5 | 1770 | 29 | 1980 | 31 | 2190 | 32,5 |
| 29 | 267 | 85 | 318 | 87 | 325 | 87 | 363 | 90 | 467 | 95 | 523 | 102 | 578 | 107 |
| 2,5 | 1115 | 26 | 1320 | 26,5 | 1390 | 26,5 | 1535 | 28 | 2010 | 29,5 | 2210 | 32 | 2460 | 33,5 |
| 36 | 294 | 85 | 348 | 87 | 367 | 87 | 405 | 92 | 531 | 97 | 583 | 105 | 649 | 110 |
| 3 | 1220 | 26,5 | 1450 | 27 | 1535 | 27 | 1715 | 29,5 | 2230 | 31 | 2430 | 33 | 2730 | 34,5 |
| 44 | 322 | 87 | 383 | 89 | 405 | 89 | 453 | 97 | 589 | 102 | 642 | 108 | 721 | 113 |
| 3,5 | 1320 | 26,5 | 1560 | 28 | 1655 | 28 | 1860 | 29,5 | 2375 | 32 | 2660 | 33,5 | 2915 | 35 |
| 51 | 348 | 87 | 412 | 92 | 437 | 92 | 491 | 97 | 627 | 105 | 702 | 110 | 770 | 115 |
| 4 | 1430 | 27 | 1670 | 29 | 1770 | 29 | 1990 | 30 | 2550 | 32,5 | 2845 | 34 | 3035 | 35,5 |
| 58 | 378 | 89 | 441 | 95 | 467 | 95 | 525 | 98 | 673 | 107 | 751 | 112 | 801 | 116 |
| 4,5 | 1500 | 27,5 | 1770 | 29,5 | 1860 | 29,5 | 2100 | 30,5 | 2730 | 33 | 3000 | 34,5 | 3170 | 36 |
| 65 | 396 | 90 | 467 | 97 | 491 | 97 | 554 | 100 | 721 | 108 | 792 | 113 | 837 | 118 |

Standard Ø: Diameter range

- For optimum distribution avoid use in shady areas.
- Sprinklers will be supplied with standard nozzles unless otherwise specified.
- In order to calculate the flow, add the flows of the two nozzles. The range of the rear nozzle must be less than that of the main nozzle.
- These results has been obtained at indoor laboratory with 0 m/seg win velocity. Outdoor results may change range distances.

VYR-65



VYR-65 AG · Part circle AG

GENERAL PROPERTIES:

- Part circle agricultural impact sprinkler; medium-high flow.
- 1" male or female connection.
- Made of brass and stainless steel.
- High-resistance rotating joints.
- Nozzle angles of 28° and 14°
- Part circle mechanical system using clips that are very easy and quick to adjust.
- Used in full coverage irrigation with medium-high flow to cover the side and corner areas.
- Special mechanical and hydraulic design for energy saving and an optimal coverage coefficient.

TECHNICAL SPECIFICATIONS:

- Reach: 16 - 24 m / 52 - 79 ft.
- Flow: 2240 - 7840 L/H / 591 - 2.070 GPH
- Working pressure: 3.5 - 6 BAR / 50 - 87 PSI.
- Area: Part or full circle.
- Nozzles: One main long reach nozzle and a secondary short reach nozzle.
- Trajectory angles: 28° and 14°
- Maximum stream height: 6 m / 19,7 ft.
- Rotation time: Depending on the pressure and the nozzles, the rotation will be constant and continuous.
- Uniformity coefficient higher than 90% in areas of 24x24R, 25x25T and 25x26T (metres).

APPLICATIONS:

- Horticultural plantations, cereals, tubers, leguminous plants and fruit trees.

MEASUREMENTS:

- Height: 24 cm / 9,4 in.
- Width: 25 cm / 9,8 in.
- Weight: 1.420 kg / 3,12 Lbs.
- Units per box: 15

OPTIONS:

- Threads in BSP or NPT under demand.
- Rod with jet breaker diffuser pin for the main nozzle.
- Foldable tripod for mobile installation.
- This is one of the models which can be used in conjunction with our travelling sprinkler cart VYR-5300.

MODELS:

Ref. 006500: Without diffuser pin. 1" female.

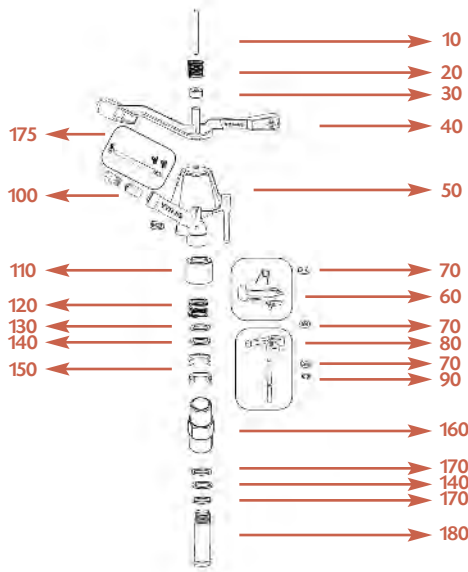
Ref. 006501: Without diffuser pin. 1" male.

Ref. 006510: With diffuser pin. 1" female.

Ref. 006511: With diffuser pin. 1" male.

Ref. 106500: Diffuser pin set.

TABLES & PARTS



Performance nozzle tables VYR-65

Long range nozzles (long vane) + plug

| NOZZLE | 5,6 mm 7/32" | | 6,4 mm 1/4" | | 7,2 mm 9/32" | | 8,0 mm 5/16" | | 8,8 mm 11/32" | | 9,6 mm 3/8" | |
|------------|-----------------|-------------|----------------|-------------|-----------------|-------------|-----------------|-------------|------------------|-------------|----------------|-------------|
| BAR PSI | L/H GPH | Ø m Ø ft | L/H GPH | Ø m Ø ft | L/H GPH | Ø m Ø ft | L/H GPH | Ø m Ø ft | L/H GPH | Ø m Ø ft | L/H GPH | Ø m Ø ft |
| 3,5 | 2370 | 42 | 3070 | 43 | 3730 | 44 | 4490 | 46 | 5335 | 46 | 6170 | 46 |
| 51 | 626 | 138 | 810 | 141 | 985 | 144 | 1185 | 151 | 1408 | 151 | 1629 | 151 |
| 4 | 2550 | 44 | 3300 | 44 | 4030 | 46 | 4850 | 48 | 5730 | 49 | 6650 | 49 |
| 58 | 673 | 144 | 871 | 144 | 1064 | 151 | 1280 | 157 | 1513 | 161 | 1756 | 161 |
| 4,5 | 2700 | 46 | 3515 | 46 | 4250 | 48 | 5150 | 50 | 6150 | 51 | 7020 | 52 |
| 65 | 713 | 151 | 928 | 151 | 1122 | 157 | 1360 | 164 | 1624 | 167 | 1853 | 171 |
| 5 | 2880 | 47 | 3690 | 48 | 4550 | 49 | 5450 | 52 | 6510 | 54 | 7470 | 55 |
| 73 | 760 | 154 | 974 | 157 | 1201 | 161 | 1439 | 171 | 1719 | 177 | 1972 | 180 |
| 5,5 | 3000 | 48 | 3900 | 50 | 4765 | 50 | 5700 | 54 | 6810 | 55 | 7835 | 57 |
| 80 | 792 | 157 | 1030 | 164 | 1258 | 164 | 1505 | 177 | 1798 | 180 | 2068 | 187 |



Easy part-circle adjustment

Long range nozzles (long vane) + short range nozzle

| NOZZLE | 4,8 x 3,2 mm 3/16 x 1/8" | | 5,6 x 3,2 mm 7/32 x 1/8" | | 6,4 x 3,2 mm 1/4 x 1/8" | | 7,2 x 3,2 mm 9/32 x 1/8" | | 8,0 x 3,2 mm 5/18 x 1/8" | | 8,8 x 3,2 mm 11/32 x 1/8" | |
|------------|-----------------------------|-------------|-----------------------------|-------------|----------------------------|-------------|-----------------------------|-------------|-----------------------------|-------------|------------------------------|-------------|
| BAR PSI | L/H GPH | Ø m Ø ft | L/H GPH | Ø m Ø ft | L/H GPH | Ø m Ø ft | L/H GPH | Ø m Ø ft | L/H GPH | Ø m Ø ft | L/H GPH | Ø m Ø ft |
| 3,5 | 2500 | 40 | 3050 | 42 | 3720 | 43 | 4430 | 44 | 6010 | 46 | 6755 | 46 |
| 51 | 660 | 131 | 805 | 138 | 982 | 141 | 1170 | 144 | 1587 | 151 | 1783 | 151 |
| 4 | 2735 | 41 | 3265 | 44 | 4045 | 44 | 4740 | 46 | 6400 | 48 | 7290 | 49 |
| 58 | 722 | 135 | 862 | 144 | 1068 | 144 | 1251 | 151 | 1690 | 157 | 1925 | 161 |
| 4,5 | 2870 | 42 | 3470 | 46 | 4260 | 46 | 5045 | 48 | 6840 | 50 | 7800 | 51 |
| 65 | 758 | 138 | 916 | 151 | 1125 | 151 | 1332 | 157 | 1806 | 164 | 2059 | 167 |
| 5 | 3030 | 43 | 3660 | 47 | 4500 | 48 | 5380 | 49 | 7260 | 52 | 8250 | 54 |
| 73 | 800 | 141 | 966 | 154 | 1188 | 157 | 1420 | 161 | 1917 | 171 | 2178 | 177 |
| 5,5 | 3175 | 44 | 3845 | 48 | 4740 | 50 | 5575 | 50 | 7650 | 54 | 8640 | 55 |
| 80 | 838 | 144 | 1015 | 157 | 1251 | 164 | 1472 | 164 | 2020 | 177 | 2281 | 180 |



Standard Ø: Diameter range

- For optimum distribution avoid use in shady areas.
- Sprinklers will be supplied with standard nozzles unless otherwise specified.
- In order to calculate the flow, add the flows of the two nozzles. The range of the rear nozzle must be less than that of the main nozzle.
- These results has been obtained at indoor laboratory with 0 m/seg win velocity. Outdoor results may change range distances.

VYR-166



VYR-166 · Part circle AG

GENERAL PROPERTIES:

- Part circle agricultural impact sprinkler, medium-high flow.
- 1" female connection.
- Made of plastic and stainless steel.
- High-resistance rotating joints.
- Nozzle angles of 28° and 14°
- Part circle mechanical system using clips that are very easy and quick to adjust.
- Used in full coverage irrigation with medium-high flow to cover the side and corner areas.

TECHNICAL SPECIFICATIONS:

- Reach: 16 - 24 m / 52 - 79 ft.
- Flow: 1300 - 5420 L/H / 343 - 1431 GPH.
- Working pressure: 3 - 5 BAR / 43 - 87 PSI.
- Area: Part or full circle.
- Nozzles: One main long reach nozzle and a secondary short reach nozzle.
- Trajectory angles: 28° and 14°
- Maximum stream height: 5.5 m / 18 ft.
- Rotation time: Depending on the pressure and the nozzles, the rotation will be constant and continuous.
- Uniformity coefficient higher than 90% in areas of 24x24R, 25x25T, 25x26T (meters).

APPLICATIONS:

- Horticultural plantations, cereals, tubers, leguminous plants and fruit trees.

MEASUREMENTS:

- Height: 24 cm / 9,4 in.
- Width: 25 cm / 9,8 in.
- Weight: 430 g / 0,95 Lbs.
- Units per box: 15

OPTIONS:

- Threads in BSP or NPT under demand.
- Arm with jet breaker diffuser pin for the main nozzle.
- Foldable tripod for mobile installation.
- This is one of the models which can be used in conjunction with our travelling sprinkler cart VYR-5300

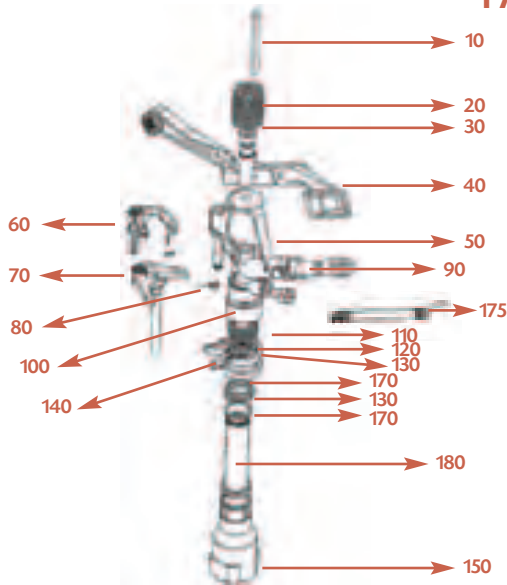
MODELS:

- Ref. 016600:** Diffuser pin set.
- Ref. 016610:** With diffuser pin.
- Ref. 116600:** Diffuser pin set.

Special mechanical and hydraulic design for energy saving and an optimal coverage coefficient.



TABLES & PARTS



Performance nozzle tables VYR-166

Long range nozzles (long vane) + plug

| NOZZLE | 4,4 mm 11/64" | | 4,8 mm 3/16" | | 5,6 mm 7/32" | | 6,4 mm 1/4" | | 7,2 mm 9/32" | | | | | | | | | | | | |
|--------|------------------|------------|-----------------|------------|-----------------|------------|----------------|------------|-----------------|------------|-------------|-----|-----|-----|-----|-----|-----|-----|-----|------|-----|
| | BAR PSI | L/H GPH | Ø m Ø ft | L/H GPH | Ø m Ø ft | L/H GPH | Ø m Ø ft | L/H GPH | Ø m Ø ft | L/H GPH | Ø m Ø ft | | | | | | | | | | |
| 3 | 1300 | 33 | 1510 | 34 | 1960 | 35 | 2590 | 36 | 3240 | 38 | 44 | 343 | 108 | 399 | 112 | 517 | 115 | 684 | 118 | 855 | 125 |
| 3,5 | 1400 | 33,5 | 1630 | 35 | 2140 | 35,5 | 2700 | 37 | 3470 | 38,5 | 51 | 370 | 110 | 430 | 115 | 565 | 116 | 713 | 121 | 916 | 126 |
| 4 | 1500 | 34 | 1760 | 36 | 2310 | 36 | 2800 | 38 | 3760 | 39 | 58 | 396 | 112 | 465 | 118 | 610 | 118 | 739 | 125 | 993 | 128 |
| 4,5 | 1590 | 35 | 1880 | 36,5 | 2460 | 37 | 2980 | 38,5 | 3970 | 39,5 | 65 | 420 | 115 | 496 | 120 | 649 | 121 | 787 | 126 | 1048 | 130 |
| 5 | 1690 | 36 | 1970 | 37 | 2580 | 38 | 3130 | 39 | 4150 | 40 | 73 | 446 | 118 | 520 | 121 | 681 | 125 | 826 | 128 | 1096 | 131 |



Long range nozzles (long vane) + short range nozzle

| NOZZLE | 4,4 x 3,2 mm 11/64 x 1/8" | | 4,8 x 3,2 mm 3/16 x 1/8" | | 5,5 x 3,2 mm 7/32 x 1/8" | | 6,3 x 3,2 mm 1/4 x 1/8" | | 7,14 x 3,2 mm 9/32 x 1/8" | | 8,73 x 3,2 mm 11/32 x 1/8" | | | | | | | | | | | | | | |
|--------|------------------------------|------------|-----------------------------|------------|-----------------------------|------------|----------------------------|------------|------------------------------|------------|-------------------------------|------------|-------------|-----|-----|-----|-----|-----|-----|------|------|------|------|------|-----|
| | BAR PSI | L/H GPH | Ø m Ø ft | L/H GPH | Ø m Ø ft | L/H GPH | Ø m Ø ft | L/H GPH | Ø m Ø ft | L/H GPH | Ø m Ø ft | L/H GPH | Ø m Ø ft | | | | | | | | | | | | |
| 3 | 1900 | 33 | 2170 | 34 | 2550 | 35 | 3150 | 36 | 3790 | 38 | 4250 | 38,5 | 502 | 108 | 573 | 112 | 673 | 115 | 832 | 118 | 1001 | 125 | 1122 | 126 | |
| 3,5 | 2030 | 33,5 | 2300 | 35 | 2710 | 35,5 | 3400 | 37 | 4130 | 38,5 | 4640 | 39 | 51 | 536 | 110 | 607 | 115 | 715 | 116 | 898 | 121 | 1090 | 126 | 1225 | 128 |
| 4 | 2190 | 34 | 2450 | 36 | 2930 | 36 | 3700 | 38 | 4420 | 39 | 5000 | 39,5 | 58 | 578 | 112 | 647 | 118 | 774 | 118 | 977 | 125 | 1167 | 128 | 1320 | 130 |
| 4,5 | 2330 | 35 | 2600 | 36,5 | 3140 | 37 | 3950 | 38,5 | 4670 | 39,5 | 5150 | 40 | 65 | 615 | 115 | 686 | 120 | 829 | 121 | 1043 | 126 | 1233 | 130 | 1360 | 131 |
| 5 | 2480 | 36 | 2760 | 37 | 3320 | 38 | 4150 | 39 | 4910 | 40 | 5420 | 40,5 | 73 | 655 | 118 | 729 | 121 | 876 | 125 | 1096 | 128 | 1296 | 131 | 1431 | 133 |



Easy part-circle adjustment

Standard Ø: Diameter range

- For optimum distribution avoid use in shady areas.
- Sprinklers will be supplied with standard nozzles unless otherwise specified.
- In order to calculate the flow, add the flows of the two nozzles. The range of the rear nozzle must be less than that of the main nozzle.
- These results has been obtained at indoor laboratory with 0 m/seg win velocity. Outdoor results may change range distances.

VYR-150



VYR-150 · Part circle AG

GENERAL PROPERTIES:

- Part circle agricultural impact sprinkler, high flow.
- 1 1/4" male connection.
- Made of brass and stainless steel.
- High-resistance rotating joints.
- Nozzle angles of 27° and 4°
- Part circle mechanical system using clips that are very easy and quick to adjust.
- Used in full coverage irrigation with high flow to cover the side, corner and pivot point areas.
- Adjustable spring tension.

TECHNICAL SPECIFICATIONS:

- Reach: 25 - 37 m / 82 - 121 ft.
- Flow: 6200 - 28000 L/H / 1.637 - 7.392 GPH.
- Working pressure: 4 - 7 BAR / 58 - 102 PSI.
- Area: Part or full circle.
- Nozzles: One main long reach nozzle and a secondary short reach nozzle.
- Trajectory angles: 27° and 4°
- Maximum stream height: 5,5 m / 18 ft.
- Rotation time: Depending on the pressure and the nozzles, the rotation will be constant and continuous.
- Uniformity coefficient higher than 90% in areas of 37x37R, 37x37T and 37x39T (meters).

APPLICATIONS:

- Horticultural plantations, cereals, tubers, leguminous plants and fruit trees.
- Often used for Pivot points.

MEASUREMENTS:

- Height: 30 cm / 11,8 in.
- Width: 36 cm / 14,2 in.
- Weight: 2.430 kg / 5,35 Lbs.
- Units per box: 5

OPTIONS:

- Threads in BSP or NPT under demand.
- Foldable tripod for mobile installation.

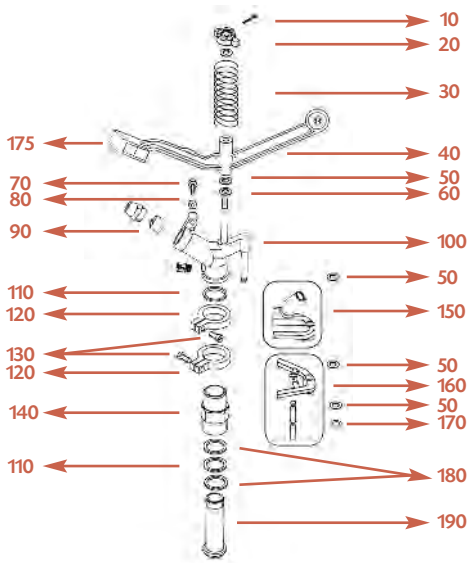
MODELS:

Ref. 015000: Standard male.

Special mechanical and hydraulic design for energy saving and an optimal coverage coefficient.



TABLES & PARTS



Performance nozzle tables VYR-150

Long range nozzles (long vane) + short range nozzle

| NOZZLE | 9 x 3,2 mm 11/32 x 1/8" | 10 x 3,2 mm 13/32 x 1/8" | 11 x 3,2 mm 7/16 x 1/8" | 13 x 6,3 mm 1/2 x 2/8" | 14,5 x 6,3 mm 9/16 x 2/8" | 16 x 6,3 mm 5/8 x 2/8" | | | | | | |
|------------|----------------------------|-----------------------------|----------------------------|---------------------------|------------------------------|---------------------------|------------|-------------|------------|-------------|-------|-----|
| BAR PSI | L/H GPH | Ø m Ø ft | L/H GPH | Ø m Ø ft | L/H GPH | Ø m Ø ft | L/H GPH | Ø m Ø ft | L/H GPH | Ø m Ø ft | | |
| 4 | 6200 | 50 | 7700 | 52 | 9400 | 54 | 14300 | 58 | 16300 | 60 | 20200 | 62 |
| 58 | 1637 | 164 | 2033 | 171 | 2482 | 177 | 3775 | 191 | 4303 | 197 | 5333 | 203 |
| 5 | 7000 | 52 | 8600 | 54 | 10600 | 56 | 16200 | 62 | 18300 | 64 | 23200 | 66 |
| 73 | 1848 | 171 | 2270 | 177 | 2798 | 184 | 4277 | 203 | 4831 | 210 | 6125 | 217 |
| 6 | 7800 | 54 | 9500 | 56 | 11700 | 58 | 18200 | 68 | 20000 | 69 | 25800 | 72 |
| 87 | 2059 | 177 | 2508 | 184 | 3089 | 190 | 4805 | 223 | 5280 | 226 | 6811 | 236 |
| 7 | 8500 | 56 | 10300 | 58 | 12600 | 60 | 19500 | 72 | 21500 | 73 | 28000 | 74 |
| 102 | 2244 | 184 | 2719 | 190 | 3326 | 197 | 5148 | 236 | 5676 | 240 | 7392 | 243 |

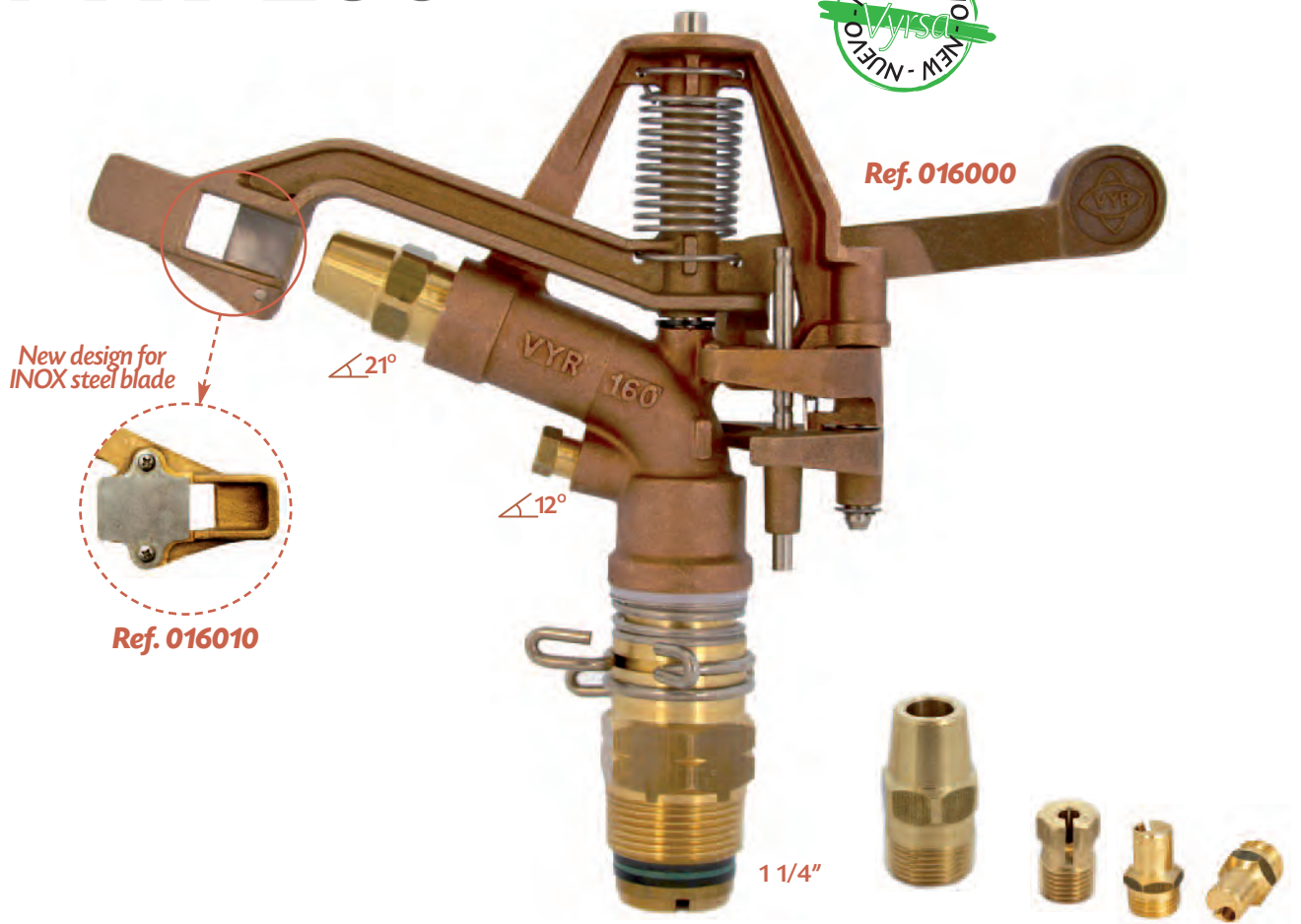
- For optimum distribution avoid use in shady areas.
- Sprinklers will be supplied with standard nozzles unless otherwise specified.
- In order to calculate the flow, add the flows of the two nozzles. The range of the rear nozzle must be less than that of the main nozzle.
- These results has been obtained at indoor laboratory with 0 m/seg win velocity. Outdoor results may change range distances.

Standard Ø: Diameter range



Easy part circle adjustment

VYR-160



VYR-160 · Part circle AG

GENERAL PROPERTIES:

- Part circle agricultural impact sprinkler, high flow.
- 1 1/4" male connection.
- Made of brass and stainless steel.
- High-resistance rotating joints.
- Nozzle angles of 21° and 12°
- Part circle mechanical system using clips that are very easy and quick to adjust.
- Used in full coverage irrigation with high flow to cover the side, corner and pivot point areas
- Special mechanical and hydraulic design for energy saving and an optimal coverage coefficient.

TECHNICAL SPECIFICATIONS:

- Reach: 24 - 36 m / 79 - 118 ft.
- Flow: 6.200 - 28.000 L/H / 1.637 - 7.392 GPH.
- Working pressure: 4 - 7 BAR / 58 - 102 PSI.
- Area: Part or full circle.
- Nozzles: One main long reach nozzle and a secondary short reach nozzle.
- Trajectory angles: 21° and 12°
- Maximum stream height: 5 m / 16 ft.
- Rotation time: Depending on the pressure and the nozzles, the rotation will be constant and continuous.
- Uniformity coefficient higher than 90% in areas of 37.5x37.5R, 38x38T and 38x39T (meters).

APPLICATIONS:

- Pivot end points for the longest reach possible.
- Horticultural plantations, cereals, tubers, leguminous plants and fruit trees.

MEASUREMENTS:

- Height: 31 cm / 12,2 in.
- Width: 37 cm / 14,6 in.
- Weight: 2.721 kg / 6 Lbs
- Units per box: 5

OPTIONS:

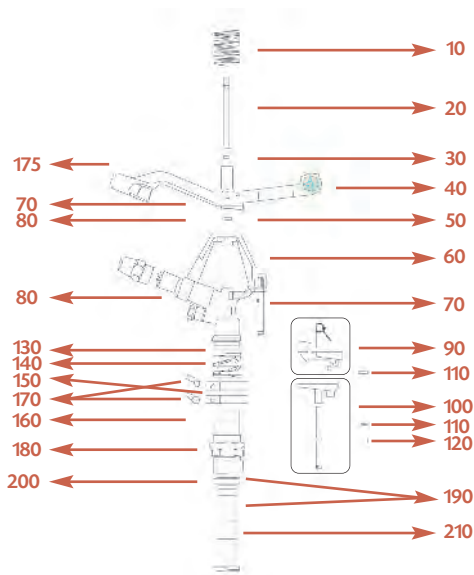
- Trípode plegable para instalación móvil.

MODELS:

- Ref. 016000: VYR-160 con pala estándar latón.
- Ref. 016010: VYR-160 con pala chapa-inox.

Special mechanical and hydraulic design for energy saving and an optimal coverage coefficient.

TABLES & PARTS



Performance nozzle tables VYR-160

Long range nozzles (long vane) + short range nozzle

| NOZZLE | 9 x 3,2 mm 11/32 x 1/8" | | 10 x 3,2 mm 13/32 x 1/8" | | 11 x 3,2 mm 7/16 x 1/8" | | 13 x 6,3 mm 1/2 x 2/8" | | 14,5 x 6,3 mm 9/16 x 2/8" | | 16 x 6,3 mm 5/8 x 2/8" | |
|--------|----------------------------|------------|-----------------------------|------------|----------------------------|------------|---------------------------|------------|------------------------------|------------|---------------------------|------------|
| | BAR PSI | L/H GPH | Ø m Ø ft | L/H GPH | Ø m Ø ft | L/H GPH | Ø m Ø ft | L/H GPH | Ø m Ø ft | L/H GPH | Ø m Ø ft | L/H GPH |
| 4 | 6200 | 48 | 7700 | 50 | 9400 | 52 | 14300 | 56 | 16300 | 58 | 20200 | 60 |
| 58 | 1637 | 157 | 2033 | 164 | 2482 | 171 | 3775 | 184 | 4303 | 190 | 5333 | 197 |
| 5 | 7000 | 50 | 8600 | 52 | 10600 | 54 | 16200 | 60 | 18300 | 62 | 23200 | 64 |
| 73 | 1848 | 164 | 2270 | 171 | 2798 | 177 | 4277 | 197 | 4831 | 203 | 6125 | 210 |
| 6 | 7800 | 52 | 9500 | 54 | 11700 | 56 | 18200 | 66 | 20000 | 67 | 25800 | 70 |
| 87 | 2059 | 171 | 2508 | 177 | 3089 | 184 | 4805 | 217 | 5280 | 220 | 6811 | 230 |
| 7 | 8500 | 54 | 10300 | 56 | 12600 | 58 | 19500 | 70 | 21500 | 71 | 28000 | 72 |
| 102 | 2244 | 177 | 2719 | 184 | 3326 | 190 | 5148 | 230 | 5676 | 233 | 7392 | 236 |

Standard Diameter range

- For optimum distribution avoid use in shady areas.
- Sprinklers will be supplied with standard nozzles unless otherwise specified.
- In order to calculate the flow, add the flows of the two nozzles. The range of the rear nozzle must be less than that of the main nozzle.
- These results has been obtained at indoor laboratory with 0 m/seg win velocity. Outdoor results may change range distances.



Easy unblock for part circle axle

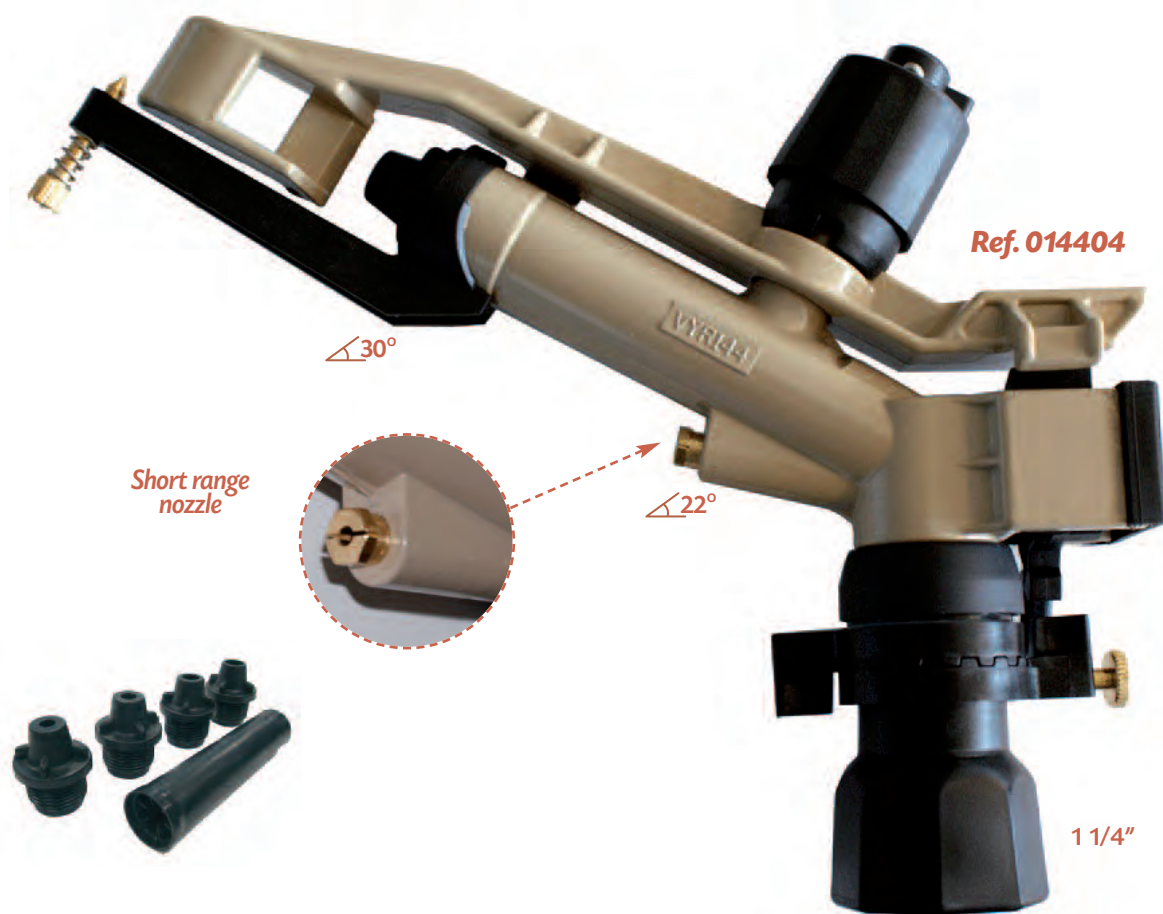


Steel anti-erosion blade



Easy angle adjustment.

VYR-144 S



VYR-144 S · Part circle AG

GENERAL PROPERTIES:

- Agricultural part-circle impact sprinkler with medium-high flow.
- 1 1/4" female connection.
- Made of aluminium, plastic and stainless steel.
- High-resistance rotating joints.
- Nozzle angle of 30°
- Special design for long reach.
- Used in full coverage irrigation with high flows.

TECHNICAL SPECIFICATIONS:

- Reach: 16 - 26 m / 52-85 ft.
- Flow: 3800 - 16700 L/H / 1.000 - 4.410 GPH
- Working pressure: 1,5 - 4,5 BAR / 22-65 PSI.
- Area: Part or full circle.
- Spring tension adjustment system.
- 2 Nozzles: One main nozzle with built-in deflector pin, and a second short range deflector nozzle.
- Trajectory angles: 30° and 22°
- Maximum stream height: 5,5 m / 18ft.
- Rotation time: Adjustable. Depending on the pressure and the nozzles, the rotation will be constant and continuous.
- Uniformity coefficient higher than 90% in areas of 22x22R, 24x24T and 24x27T (meters).

APPLICATIONS:

- Used in all types of agricultural irrigation, generally with medium-high flows.
- Horticultural plantations, cereals, tubers, leguminous plants and fruit trees.

MEASUREMENTS:

- Height: 25 cm / 9,8 in.
- Width: 30 cm / 11,8 in.
- Weight: 1 kg / 2,2 Lbs
- Units per box: 10

OPTIONS:

- Threads in BSP or NPT under demand.
- Complete set of nozzles.
- This is one of the models which can be used in conjunction with our travelling sprinkler cart VYR-5300.

MODELS:

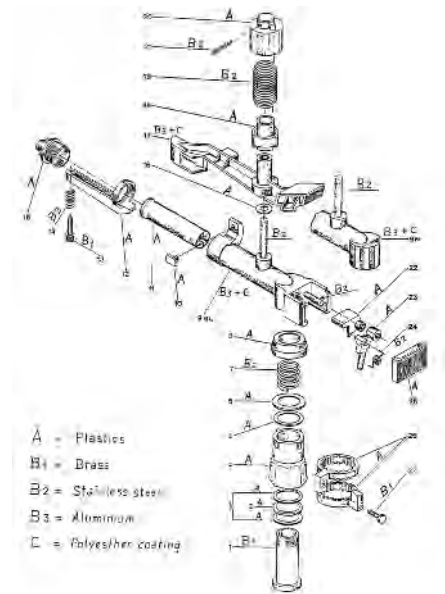
Ref. 014404: VYR 144S ALUM PART CIRCLE W/D THREAD 1 1/4"H

TABLES & PARTS

Technical guidance table VYR-144 S

| NOZZLE | Spacing (m) / Precipit. rate (mm/h) Spacing (ft) / Precipit. rate (in/h) | | | | | | |
|--------------------------------|---|----------------|----------------|--------------------|--------------------|--------------------|--------------------|
| | BAR PSI | 20x24 65x78 | 24x24 78x78 | 24x26 T 78x85 T | 26x26 T 85x85 T | 28x28 T 91x91 T | 30x30 T 98x98 T |
| 7 x 4,4 mm 9/32" x 11/64" | 3 | 9,5 | 7,9 | 8,4 | 7,7 | 6,7 | 5,9 |
| | 44 | 0,37 | 0,31 | 0,33 | 0,30 | 0,26 | 0,23 |
| | 4 | 10,3 | 8,5 | 9,1 | 8,4 | 7,3 | 6,3 |
| | 58 | 0,41 | 0,33 | 0,36 | 0,33 | 0,29 | 0,25 |
| 10 x 4,4 mm 13/32" x 11/64" | 5 | 11 | 9,2 | 9,8 | 9,0 | 7,7 | 6,8 |
| | 72 | 0,43 | 0,36 | 0,39 | 0,35 | 0,30 | 0,27 |
| | 3 | 16,6 | 13,9 | 14,7 | 13,6 | 11,8 | 10,2 |
| | 44 | 0,65 | 0,55 | 0,58 | 0,54 | 0,46 | 0,40 |
| 13/32" x 11/64" | 4 | 18,0 | 15,0 | 15,9 | 14,8 | 12,7 | 11,1 |
| | 58 | 0,71 | 0,59 | 0,63 | 0,58 | 0,50 | 0,44 |
| | 5 | 19,4 | 16,1 | 17,2 | 15,9 | 13,7 | 11,9 |
| | 72 | 0,76 | 0,63 | 0,68 | 0,63 | 0,54 | 0,47 |
| 14 x 4,4 mm 9/16" x 11/64" | 3 | 30,1 | 25,1 | 26,8 | 24,7 | 21,2 | 18,6 |
| | 44 | 1,19 | 0,99 | 1,06 | 0,97 | 0,83 | 0,73 |
| | 4 | 31,9 | 26,6 | 28,3 | 26,1 | 22,5 | 19,6 |
| | 58 | 1,26 | 1,05 | 1,11 | 1,03 | 0,89 | 0,77 |
| 9/16" x 11/64" | 5 | 38,7 | 32,3 | 34,4 | 31,7 | 27,4 | 23,9 |
| | 72 | 1,52 | 1,27 | 1,35 | 1,25 | 1,08 | 0,94 |

T: Triang. CU < 85% CU 85-88% CU 88-92% CU > 92%



Performance nozzle tables VYR-144 S

Long range nozzles (long vane) + short range nozzle

| NOZZLE | 7 x 4,4 mm 9/32" x 11/64" | | 8 x 4,4 mm 5/16" x 11/64" | | 10 x 4,4 mm 13/32" x 11/64" | | 12 x 4,4 mm 15/32" x 11/64" | | 14 x 4,4 mm 9/16" x 11/64" | |
|--------|------------------------------|---------------------------|------------------------------|---------------------------|--------------------------------|---------------------------|--------------------------------|---------------------------|-------------------------------|---------------------------|
| | BAR PSI | L/H GPH Ø m Ø ft | L/H GPH Ø m Ø ft | L/H GPH Ø m Ø ft | L/H GPH Ø m Ø ft | L/H GPH Ø m Ø ft | L/H GPH Ø m Ø ft | L/H GPH Ø m Ø ft | L/H GPH Ø m Ø ft | L/H GPH Ø m Ø ft |
| 2 | 4.560 | 40 | 5.580 | 44 | 7.900 | 50 | 10.980 | 56 | 14.460 | 54 |
| 29 | 1.204 | 131 | 1.473 | 144 | 2.086 | 164 | 2.899 | 184 | 3.817 | 177 |
| 3 | 4.920 | 42 | 6.000 | 46 | 8.640 | 54 | 11.880 | 60 | 16.560 | 62 |
| 44 | 1.299 | 138 | 1.584 | 151 | 2.281 | 177 | 3.136 | 197 | 4.372 | 203 |
| 4 | 5.280 | 42 | 6.480 | 50 | 9.300 | 58 | 12.720 | 62 | 18.600 | 62 |
| 58 | 1.394 | 138 | 1.711 | 164 | 2.455 | 190 | 2.455 | 203 | 4.910 | 203 |

Ø: Diameter range

- Sprinklers will be supplied with standard nozzles unless otherwise specified.
- In order to calculate the flow, add the flows of the two nozzles. The range of the rear nozzle must be less than that of the main nozzle.
- These results has been obtained at indoor laboratory with 0 m/seg win velocity. Outdoor results may change range distances.



Easy spring-tension adjustment



Easy part-circle adjustment

VYR-175



VYR-175 · Part circle AG high-flow

GENERAL PROPERTIES:

- Agricultural part-circle impact sprinkler with medium-high flow.
- Female brass connection of 1 1/2"
- Made of aluminium, plastic and stainless steel.
- High-resistance rotating joints.
- High resistance brass nozzles.
- Angle of coverage: 360° or Part-Circle.
- Difuser pins and deflector plates included.

TECHNICAL SPECIFICATIONS:

- Reach: 20 - 35 m / 66 - 115 ft.
- Flow: 9.000 - 33.000 L/H. / 2.376 - 8.712 GPH.
- Working pressure: 2,5 - 6 BAR / 36 - 87 PSI.
- 2 Nozzles: One main nozzle with optional deflector pin, and a second short range with built-in difuser pin nozzle.
- Trajectory angles: Of 27° and 18°.
- Maximum stream height: 5,7 m / 19 ft.

APPLICATIONS:

- Used in all types of agricultural irrigation, generally with medium-high flows.
- Horticultural plantations, cereals, tubers, leguminous plants and fruit trees.

MEASUREMENTS :

- Height: 34 cm / 13,4 in.
- Width: 42 cm / 16,5 in.
- Weight: 2 kg / 4,4 Lbs.
- Units per box: 4

OPTIONS :

- Tripods of 1 1/2"
- Valve for automatization.

MODELS:

Ref. 017500: Sectorial-Circular 1 1/2" H

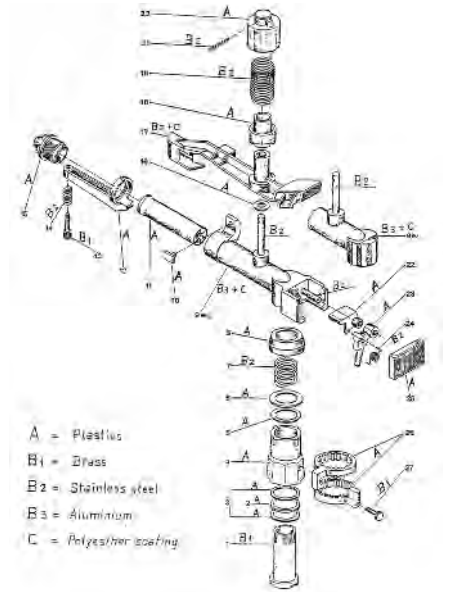


TABLES & PARTS

Technical guidance table VYR-175

| NOZZLE | Espaciamento (ft) / Precipitación (GPH) | | | | | | |
|-------------------------------|---|------------|------------|-------------|-------------|---------------|---------------|
| | BAR PSI | 21x21 0 | 24x24 0 | 27x27 0T | 30x30 0T | 36x36 T 0T | 39x39 T 0T |
| 14 x 3,2 mm 9/16" x 1/8" | 3 | 29,2 | 22,4 | 17,7 | 14,3 | 10 | 8,5 |
| | 44 | 1,15 | 0,88 | 0,70 | 0,56 | 0,39 | 0,33 |
| | 4 | 33,4 | 25,6 | 20,2 | 16,4 | 11,4 | 9,7 |
| 18 x 3,6 mm 11/16" x 9/64" | 58 | 1,31 | 1,01 | 0,80 | 0,65 | 0,45 | 0,38 |
| | 5 | 37,7 | 28,9 | 22,8 | 18,5 | 12,8 | 10,9 |
| | 73 | 1,48 | 1,14 | 0,90 | 0,73 | 0,50 | 0,43 |
| 18 x 3,6 mm | 3 | 33,2 | 26,3 | 21,5 | 17,6 | 13,4 | 14,9 |
| | 44 | 1,31 | 1,04 | 0,85 | 0,69 | 0,53 | 0,59 |
| | 4 | 34,5 | 27,4 | 22,6 | 18,8 | 14,8 | 16,3 |
| 11/16" x 9/64" | 58 | 1,36 | 1,08 | 0,89 | 0,74 | 0,58 | 0,64 |
| | 5 | 36,3 | 29,3 | 25,5 | 21,8 | 16,00 | 17,6 |
| | 73 | 1,43 | 1,15 | 1,00 | 0,86 | 0,63 | 0,69 |

T: Triang. CU < 85% CU 85-88% CU 88-92% CU > 92%



Performance nozzle tables VYR-175

Long range nozzles (long vane) + short range nozzle

| NOZZLE | 12 x 3,2 mm 11/32 x 1/8" | | 14 x 3,2 mm 9/16" x 1/8" | | 16 x 3,6 mm 5/8 x 9/64" | | 18 x 3,6 mm 11/16 x 9/64" | |
|--------|-----------------------------|------------|-----------------------------|------------|----------------------------|------------|------------------------------|------------|
| | BAR PSI | L/H GPH | Ø m Ø ft | L/H GPH | Ø m Ø ft | L/H GPH | Ø m Ø ft | L/H GPH |
| 2 | 9300 | 20 | 12100 | 21 | 15200 | 22 | | |
| 29 | 2455 | 66 | 3195 | 69 | 4015 | 72 | | |
| 3 | 11200 | 24 | 14500 | 25 | 18900 | 28 | 23100 | 27 |
| 44 | 2960 | 79 | 3828 | 82 | 4990 | 92 | 6100 | 89 |
| 4 | 13000 | 27 | 16900 | 29 | 21500 | 30 | 27000 | 30 |
| 58 | 3430 | 89 | 4460 | 95 | 5680 | 98 | 7130 | 98 |
| 5 | 14200 | 28 | 18900 | 30 | 24000 | 32 | 30100 | 34 |
| 73 | 3750 | 92 | 3750 | 98 | 6340 | 105 | 7950 | 112 |
| 6 | | | | | | | 32500 | 35 |
| 73 | | | | | | | 8580 | 115 |

- Sprinklers will be supplied with standard nozzles unless otherwise specified.
- In order to calculate the flow, add the flows of the two nozzles. The range of the rear nozzle must be less than that of the main nozzle.
- These results has been obtained at indoor laboratory with 0 m/seg win velocity. Outdoor results may change range distances.

Standard Ø: Diameter range

VYR-100 Grillo



VYR-100 GRILLO · Part circle AG

GENERAL PROPERTIES:

- Turbine-driven Rain-Gun, high flow for agriculture.
- 2" female connection.
- Made of aluminium, brass, plastic and stainless steel.
- High-resistance rotating joints.
- Nozzle angle of 28°
- Special design for long reach.
- Used in full coverage irrigation with very high flow.

TECHNICAL SPECIFICATIONS:

- Reach: 25 - 41 m / 82 - 135 ft.
- Flow: 8.500 - 51.500 L/H / 2.244 - 13.596 GPH.
- Working pressure: 2,5 - 4,5 BAR / 36 - 65 PSI.
- Area: Part or full circle.
- Nozzles: One main multi-jet nozzle with built-in deflector pin.
- Trajectory angles: 18° and 28°
- Maximum stream height: 5,8 m / 19 ft.
- Rotation time: Depending on the pressure and the nozzles, the rotation will be constant and continuous.
- Uniformity coefficient higher than 83% in areas of 48x48R, 50x50T and 50x62T (meters)

APPLICATIONS:

- Irrigation for sport fields.
- Travelling sprinkler irrigation.
- Horticultural plantations, cereals, tubers, leguminous plants and fruit trees.
- Mining.
- Firewall.

MEASUREMENTS:

- Height: 37 cm / 14,6 in
- Width: 70 cm / 27,6 in.
- Weight: 4.6 kg / 10,12 Lbs
- Units per box: 4

OPTIONS:

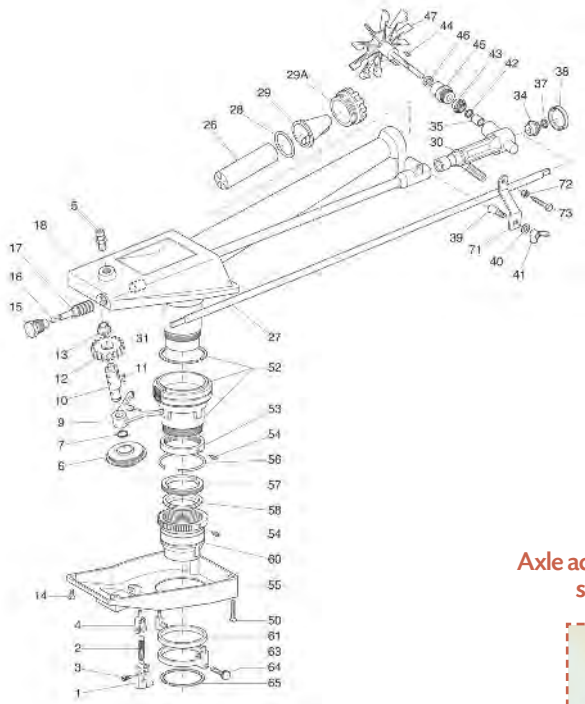
- Foldable tripod for mobile installation.

MODELS:

Ref. 010000: Rain gun VYR-100 + nozzles.



TABLES & PARTS



Greaser for the gear system

Simple angle of coverage adjustment system



Interchangeable nozzle

Axle adjustment shaft

Propeller turbine deflector



Special 18° nozzle for PIVOT end-gun

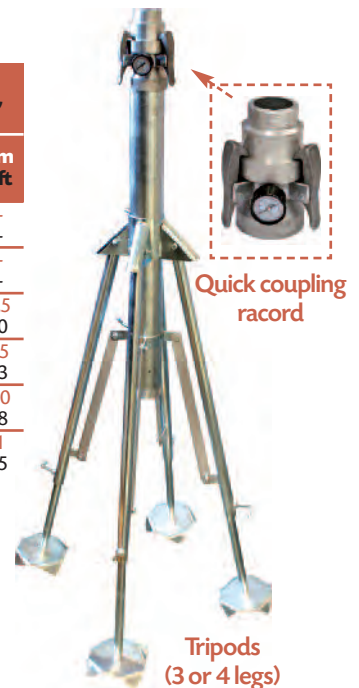
Performance nozzle tables VYR 100 GRILLO

Long range nozzles (long vane) + short range nozzle

| NOZZLE | 10 mm 51/128" | | 12 mm 15/32" | | 14 mm 9/16" | | 16 mm 5/8" | | 18 mm 11/16" | | 20 mm 101/128" | | 22 mm 111/128" | | 24 mm 121/128" | |
|--------|------------------|---------------------------|---------------------------|---------------------------|---------------------------|---------------------------|---------------------------|---------------------------|---------------------------|---------------------------|---------------------------|---------------------------|---------------------------|---------------------------|---------------------------|------|
| | BAR PSI | L/H GPH R-m R-ft | L/H GPH R-m R-ft | L/H GPH R-m R-ft | L/H GPH R-m R-ft | L/H GPH R-m R-ft | L/H GPH R-m R-ft | L/H GPH R-m R-ft | L/H GPH R-m R-ft | L/H GPH R-m R-ft | L/H GPH R-m R-ft | L/H GPH R-m R-ft | L/H GPH R-m R-ft | L/H GPH R-m R-ft | L/H GPH R-m R-ft | |
| 2,5 | 8,100 | 21 | 8,530 | 25 | 11,620 | 26 | --- | --- | --- | --- | --- | --- | --- | --- | --- | |
| 36 | 2,140 | 69 | 2,252 | 82 | 3,068 | 85 | --- | --- | --- | --- | --- | --- | --- | --- | --- | |
| 3 | 8,800 | 22 | 9,360 | 26 | 12,740 | 28 | 16,630 | 31,5 | --- | --- | --- | --- | --- | --- | --- | |
| 44 | 2,325 | 72 | 2,471 | 85 | 3,363 | 92 | 4,390 | 103 | --- | --- | --- | --- | --- | --- | --- | |
| 3,5 | 9,500 | 23,5 | 10,110 | 27 | 13,750 | 30 | 17,960 | 33,5 | 22,750 | 33,5 | 28,200 | 34 | 36,600 | 34,5 | 43,000 | 36,5 |
| 51 | 2,510 | 77 | 2,669 | 89 | 3,630 | 98 | 4,741 | 110 | 6,006 | 110 | 7,445 | 112 | 9,660 | 113 | 9,660 | 120 |
| 4 | 10,200 | 27,5 | 10,800 | 28 | 14,720 | 31 | 19,220 | 35,0 | 24,330 | 34,5 | 33,000 | 35,0 | 39,400 | 36,5 | 46,000 | 37,5 |
| 58 | 2,690 | 90 | 2,851 | 92 | 3,886 | 102 | 5,074 | 115 | 6,423 | 113 | 8,710 | 115 | 10,400 | 115 | 10,400 | 123 |
| 4,5 | --- | --- | --- | --- | --- | --- | 20,370 | 36,0 | 25,810 | 36 | 35,000 | 36,5 | 41,600 | 38,0 | 48,600 | 39,0 |
| 65 | --- | --- | --- | --- | --- | --- | 5,378 | 118 | 6,814 | 118 | 9,240 | 120 | 10,980 | 120 | 10,980 | 128 |
| 5 | --- | --- | --- | --- | --- | --- | --- | --- | 27,210 | 37,5 | 37,000 | 38,5 | 44,100 | 39,5 | 51,500 | 41 |
| 73 | --- | --- | --- | --- | --- | --- | --- | --- | 7,183 | 123 | 9,770 | 123 | 11,640 | 126 | 11,640 | 135 |

Standard R: Range distance

- Sprinklers will be supplied with standard nozzles unless otherwise specified.
- In order to calculate the flow, add the flows of the two nozzles. The range of the rear nozzle must be less than that of the main nozzle.
- These results has been obtained at indoor laboratory with 0 m/seg win velocity. Outdoor results may change range distances.



VYR-157



VYR-157 · Part circle AG

GENERAL PROPERTIES:

- Piston drive raingun sprinkler, high flow.
- 2 1/2" and 3" female connection.
- Made of aluminium, brass, plastic and stainless steel.
- High-resistance rotating joints.
- Nozzle angles of 25° and 22°
- Special design for long reach.
- Used in full coverage irrigation with very high flow.
- Rotation speed adjustment.

TECHNICAL SPECIFICATIONS:

- Reach: 24-42 m (2") and 39 - 69 m (3") / 105 - 226 ft.
- Flow: 10,250 - 25,000 l/h (2") and 24,250 - 121,250 l/h (3") / 4.224 - 31.944 GPH.
- Working pressure: 4 - 8 BAR / 58 - 116 PSI.
- Area: Part or full circle.
- Nozzles: One main multi-jet nozzle for long reach and a secondary nozzle for short reach.
- Trajectory angles: 25° and 22°
- Maximum stream height: 7.5 m / 25 ft.
- Rotation time: Adjustable by a side control command screw.
- Uniformity coefficient higher than 90% in areas of 35x35R, 40x40T, 40x45T (2") and 55x55R, 60x60T, 60x65T(3") (meters).

APPLICATIONS:

- Dust suppression.
- Irrigation for sport fields.
- Roller traveller sprinkler irrigation.
- Horticultural plantations, cereals, tubers, leguminous plants and fruit trees.
- Mining.
- Firewall.

MEASUREMENTS:

- Height: 30 cm and 50 cm / 11,8 and 19,7 in.
- Width: 45 cm and 80 cm / 17,7 and 31,5 in.
- Weight: 4 kg and 7.5 kg / 8,8 and 16,5 Lbs.
- Units per box: 1

OPTIONS:

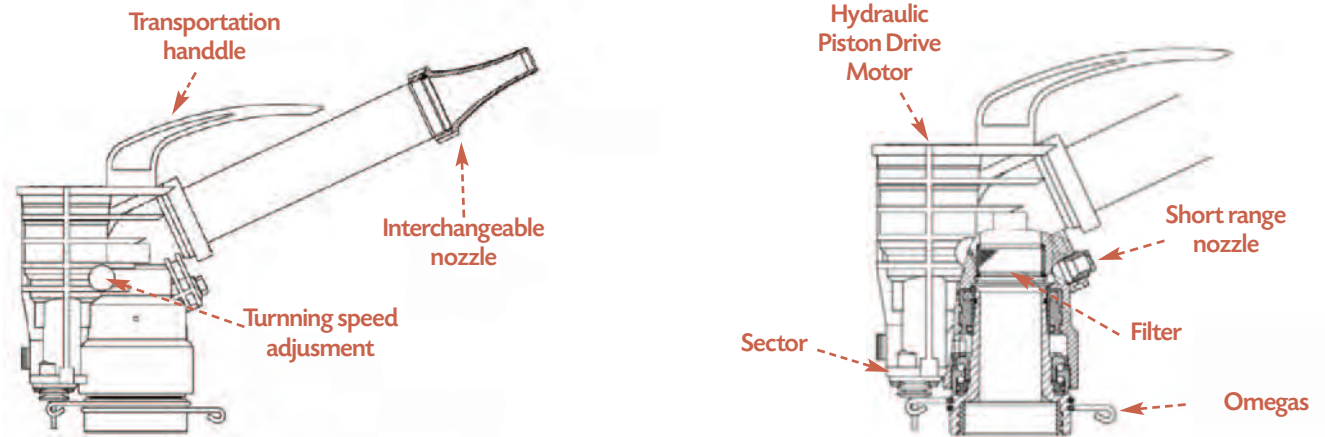
- Automatic kit with 2" or 3" valve, hydraulically or electrically driven.
- Foldable tripod for mobile installation.
- Complete set of nozzles.

MODELS:

- **Ref. 015701:** Piston drive gun sprinkler 2 1/2"
- **Ref. 015700:** Piston drive gun sprinkler 3"



TABLES & PARTS



Performance nozzle tables VYR-157 S

Long range nozzles (long vane) + short range nozzle

| NOZZLE | 14 x 5 mm 0,55" x 13/64" | | 16 x 5 mm 0,63" x 13/64" | | 18 x 5 mm 0,71" x 13/64" | | 20 x 5 mm 0,79" x 13/64" | | 22 x 5 mm 0,87" x 13/64" | | 24 x 5 mm 0,94" x 13/64" | | |
|--------|-----------------------------|------------|-----------------------------|------------|-----------------------------|------------|-----------------------------|------------|-----------------------------|------------|-----------------------------|------------|-------------|
| | BAR PSI | L/H GPH | R-m R-ft | L/H GPH | R-m R-ft | L/H GPH | R-m R-ft | L/H GPH | R-m R-ft | L/H GPH | R-m R-ft | L/H GPH | R-m R-ft |
| 4 | 15.870 | 32 | 20.140 | 35 | 24.980 | 40 | 30.380 | 41,5 | 36.360 | 43 | 42.910 | 45 | |
| 58 | 4.200 | 105 | 5.322 | 115 | 6.576 | 131 | 8.028 | 136 | 9.612 | 140 | 11.340 | 148 | |
| 5 | 17.740 | 34 | 22.520 | 38 | 27.930 | 43 | 33.970 | 45 | 40.65 | 46 | 47.970 | 48 | |
| 73 | 4.680 | 112 | 5.952 | 125 | 7.380 | 141 | 8.976 | 148 | 10.746 | 151 | 12.678 | 157 | |
| 6 | 19.440 | 36 | 24.660 | 41 | 30.590 | 46 | 37.210 | 48 | 44.530 | 50 | 52.550 | 52 | |
| 87 | 5.160 | 118 | 6.516 | 134 | 8.088 | 151 | 9.834 | 157 | 11.772 | 164 | 13.890 | 170 | |
| 7 | 20.990 | 38 | 26.640 | 43 | 33.040 | 47 | 40.190 | 50 | 48.100 | 51,5 | 56.760 | 53,5 | |
| 102 | 5.580 | 125 | 7.044 | 141 | 8.736 | 154 | 10.626 | 164 | 12.714 | 174 | 15.000 | 175 | |



Performance nozzle tables VYR-157 L

Long range nozzles (long vane) + short range nozzle

| NOZZLE | 18 x 5 mm 0,71" x 13/64" | | 20 x 5 mm 0,79" x 13/64" | | 22 x 5 mm 0,87" x 13/64" | | 24 x 5 mm 0,94" x 13/64" | | 26 x 5 mm 1,02" x 13/64" | | 28 x 5 mm 1,10" x 13/64" | | 30 x 5 mm 1,18" x 13/64" | | 32 x 5 mm 1,26" x 13/64" | | 34 x 5 mm 1,34" x 13/64" | |
|--------|-----------------------------|------------|-----------------------------|------------|-----------------------------|------------|-----------------------------|------------|-----------------------------|------------|-----------------------------|------------|-----------------------------|------------|-----------------------------|------------|-----------------------------|-----|
| | BAR PSI | L/H GPH | R-m R-ft | L/H GPH | R-m R-ft | L/H GPH | R-m R-ft | L/H GPH | R-m R-ft | L/H GPH | R-m R-ft | L/H GPH | R-m R-ft | L/H GPH | R-m R-ft | L/H GPH | R-m R-ft | |
| 5 | 29.700 | 42 | 35.700 | 44 | 42.400 | 46 | 49.700 | 48 | 57.700 | 50 | 66.300 | 53 | 75.500 | 55 | 85.400 | 57 | 95.900 | 58 |
| 73 | 7.848 | 138 | 9.432 | 144 | 11.208 | 151 | 13.134 | 157 | 15.252 | 164 | 17.526 | 174 | 19.956 | 180 | 22.572 | 187 | 25.350 | 190 |
| 6 | 32.500 | 45 | 39.100 | 47 | 46.500 | 49 | 54.400 | 51 | 63.200 | 53 | 72.600 | 56 | 82.700 | 58 | 93.500 | 60 | 105.000 | 61 |
| 87 | 8.592 | 148 | 10.332 | 154 | 12.288 | 161 | 14.406 | 167 | 16.704 | 174 | 19.188 | 184 | 21.858 | 190 | 24.714 | 197 | 27.780 | 200 |
| 7 | 35.100 | 48 | 42.300 | 50 | 50.200 | 52 | 58.800 | 54 | 68.200 | 57 | 78.400 | 60 | 89.300 | 63 | 101.00 | 65 | 113.40 | 66 |
| 102 | 9.276 | 157 | 11.178 | 164 | 13.266 | 170 | 15.540 | 177 | 18.024 | 187 | 20.724 | 197 | 23.604 | 207 | 26.694 | 213 | 29.976 | 216 |
| 8 | 37.500 | 50 | 45.200 | 52 | 53.600 | 54 | 62.900 | 56 | 72.900 | 59 | 83.800 | 62 | 95.500 | 65 | 108.00 | 67 | 121.30 | 69 |
| 114 | 9.912 | 164 | 11.946 | 170 | 14.166 | 177 | 16.626 | 184 | 19.266 | 193 | 22.152 | 203 | 25.242 | 213 | 28.548 | 220 | 32.076 | 226 |

Standard R: Range distance

- Sprinklers will be supplied with standard nozzles unless otherwise specified.
- In order to calculate the flow, add the flows of the two nozzles. The range of the rear nozzle must be less than that of the main nozzle.
- These results has been obtained at indoor laboratory with 0 m/seg win velocity. Outdoor results may change range distances.





Irrigation Control

BATTERY OPERATED LATCH CONTROLLERS

- VYR-6053 BT..... Pg. 122
- VYR-6060 AMPHIBIO..... Pg. 124
- VYR-6060 AMPHIBIO REMOTE... Pg. 125
- VYR-6010 MASTER-LATCH..... Pg. 126
- CAP-6025 RADIO COM..... Pg. 127
- HYDRO-PLUS..... Pg. 128

POWER CONTROLLERS

- PG-6015 2 WIRE-DECODER.....Pg. 130
- SKYDROP ARC.....Pg. 132
- SKYDROP PLUS..... Pg. 134

ACCESSORIES FOR CONTROLLERS

- CABINET AND BOXES..... Pg. 136
- CONNECTIONS.....Pg. 137
- SENSORS.....Pg. 138
- RECHARGING SYSTEMS.....Pg. 141
- METEO STATIONS..... Pg. 142

PG-6053 BT Blue-Tooth



Consíguelo en el
App Store

DISPONIBLE EN
Google Play

Ref. 605301

ANFIBIO PG-6053 · Battery Operated BlueTooth Controller

GENERAL PROPERTIES:

- Number of stations: 1.
- LATCH (impulse) PN-10 solenoid valve with high performance and safety.
- Number of programs: 1 program with 4 cyclical options.
- Number of starts: 8 daily starts, or sequential indefinite.
- Cycle duration: up to 7 days.
- Programming times: from 1 minute to 12 hours.
- MANUAL START of the valve.
- Easy installation, programming and use thanks to its versatile design and logical control system.
- Adjustment of irrigation DELAY.
- Safety system with low battery ALARM (closes all valves and is blocked until the change by a new battery).
- DUAL input jack in 1" H and 3/4" H, and 3/4" M outlet that includes an express record for express hose connection.

TECHNICAL SPECIFICATIONS:

- Waterproof: IP-68 (totally watertight and submersible).
- Voltage: 2 1.5V AA alkaline batteries (not included).
- Output: 30 mA.
- Number of admissible valves: 1 Latch 9V solenoid (integrated)

APPLICATIONS:

- Ideal for isolated areas without electrical power or with difficult wiring access.
- Designed for use in orchards, residential or urban gardens, and isolated agricultural areas.

MEASUREMENTS :

- Height: 16 cm
- Width: 9 cm ø
- Weight: 320 g
- Units per box: 1

OPTIONS:

- Kit with tap PPR of 3/4".

MODELS:

Ref. 605301: VYR-6053 BT.



Ref. 121925



Ref. 605301



PG-6053 BT Blue-Tooth APP Controller

ANFIBIO PG-6053 BT · Battery Operated Controller with BlueTooth APP

GENERAL PROPERTIES:

- The Hydro-PLUS BT APP has this reduced version for connectivity with BlueTooth 5.0 equipment that allows you to easily link your equipment in a range of 30 meters.
- VYR BlueTooth devices have a security device in which you have to enter a security code that can be modified by the user later in order to establish the link. If someone steals this device, they can not use it without that security code.
- Simple installation through the stores for ANDROID and IOS.
- The intuitive logic of navigation through the application makes it easy to use by the user.
- Once the APP has been installed, select the product model with which you want to establish the link. Both the name of the equipment and the areas to be irrigated can be renamed.
- Two types of programs, cyclical or sequential.
- Simple and quick intuitive screens to configure.
- The intuitive logic of navigation through the application makes it easy to use by the user.
- Valid application for models PG-6053 BT, PG-6060 BT (page 124), PG-6061 BT (page 125), and PG-6015 BT (page 130).

OPTIONS:

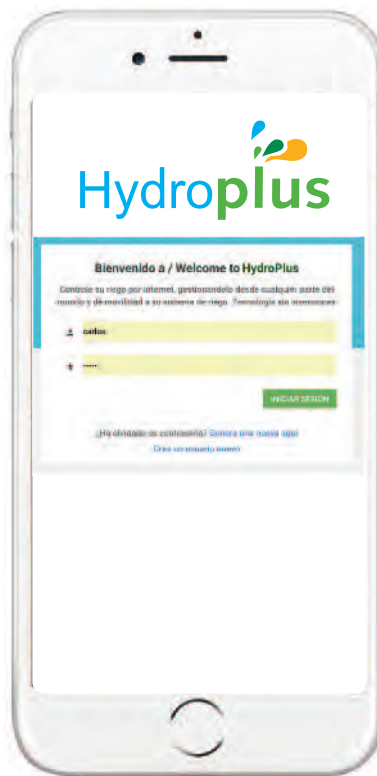
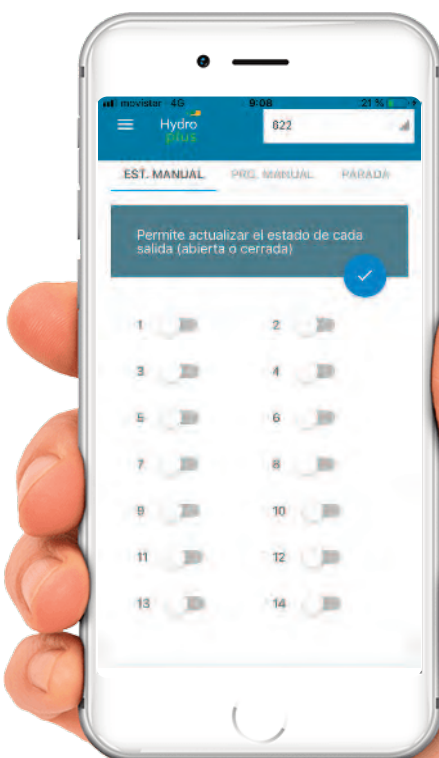
- DRIP Kit for 25 m.
- Micro-Sprinkler kit for 25 m.

MODELS:

Ref. 605311: HydroPLUS BT (free APP)



Hydroplus



PG-6050 & PG-6051 Tap-Pro

With motor valve that opens from 0 BAR !!!



¡Totalmente estanco!
IP-65

Express

PG-6053 & PG-6051 · Battery Operated Controllers

GENERAL PROPERTIES VYR-6050:

- Number of stations: 1 station.
- Number of programs: a sequential program.
- Number of starts: Up to 360 daily starts depending on the frequency of irrigation.
- Cycle time: up to 599 min.
- Programming times: from 1 min. up to 10 hours.
- Manual opening and closing of the programmer.
- Easy installation, programming and use thanks to its versatile design and hybrid system control.
- Rotating mechanical controls.
- LED status.

GENERAL PROPERTIES VYR-6050:

- Number of stations: 1 station.
- Number of programs: 8 digital program.
- Number of starts: 15 starts per program.
- Cycle time: up to 599 min.
- Programming times: from 1 min. up to 10 hours.
- Manual opening and closing of the programmer.
- Easy installation, programming and use thanks to its versatile design and hybrid system control.
- Logical system of icons on the digital display.
- LED status.

TECHNICAL SPECIFICATIONS:

- Power: 2 AAA batteries 1.5 V ALKALINE.
- Output: Motorized Latch.
- Sealing: IP-68.
- Battery life with two Alkaline AAA batteries for more than a campaign.
- Upper connection to tap 3/4" or 1" with rotary adjustment and rubber to fit and seal.
- Bottom outlet of 3/4" male thread or express connector.

APPLICATIONS:

- Designed for residential use in sheltered terraces and small gardens.

MEASUREMENTS :

- Height: 12 cm / 4,7 in
- Width: 20 cm / 7,9 in
- Depth: 9 cm / 3,5 in
- Weight: 280 g / 0,62 Lbs
- Units per box: 1

MODELS:

- Ref. 605110: VYR-6051, 3/4". DIGITAL DISPLAY.
- Ref. 605010: VYR-6050, 3/4". MECHANICAL.



PG-6060 Anfibio



iBattery Block Included!

Ref. 606001

Water proof!
IP-68

ESPAÑOL
ENGLISH
FRANÇAIS

ANFIBIO PG-6060 · Battery operated controller 1, 4 & 6 stations

GENERAL PROPERTIES:

- Number of stations: 1, 4 and 6 stations + N / O sensor.
- The models of 4 and 6 stations can be activated MV (Master Valve) by passing the last station to act as a master valve.
- Number of programs: 3 (A, B and C)
- Number of starts: 8 daily starts per program.
- Cycle duration: up to 7 days.
- Programming times: from 1 minute to 12 hours per valve, with descending counter in minutes.
- MANUAL START of stations with "countdown".
- Easy installation, programming and use thanks to its versatile design and logical control system.
- Ergonomic 6-key keyboard.
- Adjustment of WATER CONTRIBUTION between 10% and 200%.
- Safety system with low battery ALARM (closes all valves and is blocked until the change by a new battery).
- Normally open SENSOR (NO) connection (rain, humidity or temperature sensor) for temporary blocking of programs.
- 1-station models include 2 or 3-way latch solenoid, and the 3-station model does not include solenoids.
- Complies with standard UNE-15099 / ISO-21622

TECHNICAL SPECIFICATIONS:

- Waterproof: IP-68 (totally watertight and submersible).
- Voltage: 9V alkaline battery (optional 6 AAA block).
- Output: 30 mA.
- Number of admissible valves: 1 Latch solenoid of 9V per output no more than 20 m away.
- Connection strip: cables up to 1.5 mm².

APPLICATIONS:

- Ideal for isolated areas without electrical power or with difficult wiring access.
- Designed for use in residential or urban gardens, and isolated agricultural areas.

MEASUREMENTS :

- Height: 10 cm / 3,9 in
- Width: 12 cm / 4,7 in of ø
- Weight: 300 g / 0,66 Lbs
- Units per box: 1



OPTIONS:

- 1-station model kit + 1" high-flow solenoid valve.
- Kits for agricultural use with 3-way latch solenoids with hydraulic valves (on request).

MODELS:

- Ref. 606010: VYR-6060 1 est. - NO SOLENOID -
- Ref. 606001: VYR-6060 1 est. + 1 solen. latch 2 way
- Ref. 606011: VYR-6060 1 est. + 1 solen. latch 3 way 1.6 mm
- Ref. 606002: VYR-6060 2 est. (-MV)
- Ref. 606004: VYR-6060 4 est. (-MV)
- Ref. 606006: VYR-6060 6 est. (-MV)

- Ref. 606110: VYR-6060 1 est. - NO SOLENOID - + COM BT
- Ref. 606101: VYR-6060 + 1 solen. latch 2 way + COM BT
- Ref. 606111: VYR-6060 + 1 solen. latch 3 way 1.6 mm + COM BT
- Ref. 606102: VYR-6060 2 est. (-MV) + COM BT
- Ref. 606104: VYR-6060 4 est. (-MV) + COM BT
- Ref. 606106: VYR-6060 6 est. (-MV) + COM BT

PG-6010 Master-Latch

PRO-2.1 & 3.0



ESPAÑOL
ENGLISH
FRANÇAIS



TRI
Integrated Radio card
868/928 Mhz (optional)



Outdoor box

MASTER-LATCH PG-6010 PRO-2.1 · Battery operated controller 5, 8 & 14 stations

GENERAL PROPERTIES:

- Number of stations: 5, 8 and 14 stations + main valve.
- Number of programs: 4 independent and overlapping programs (A, B, C and D).
- Number of initiations: 6 initiations per program.
- Duration of cycle: up to 7 days.
- Programming times: from 1 minute to 12 hours per valve, with minute countdown counter.
- MANUAL STARTING of stations and programs with "count-down".
- **NEW!!!** Time delay between valves and pump & valves.
- **NEW!!!** Communication port for tele-control systems through Green-Plus, Hydro-Plus or Green-Pad.
- **NEW!!!** Stuffing box and lock outputs.
- **NEW!!!** Outlet antenna connection.
- Program "D" configurable in seconds or minutes with inhibition from the N/C sensor. This permits connection of differential pressure switches for automatic filter back washing, or connection to fertilizer injection pumps.
- Easy installation, programming and use because of its versatile design and hybrid control system.
- Rotary mechanical control and ergonomic keyboard with 4 keys.
- Digital screen with logical and easy to use icons.
- PAUSE and SKIP IRRIGATION positions.
- Water throughput adjustment between 10% and 400%
- Input for main valve activation and two inputs for sensors, one normally open (differential pressure switch for filter washing), and the other normally closed (rain sensor).
- Security system with low battery ALARM (it closes all the valves and blocks them until the old battery has been replaced).
- Non-volatile memory that saves existing programs so they are not lost in the event of a blackout.

TECHNICAL SPECIFICATIONS:

- Voltage: 9V ALKALINE battery or converter. Internal battery in circuit to keep time in case of blackouts.
- Output: Latch.
- Number of valves supported: 1 Latch solenoid (9V) per outlet at no more than 3 meters distance.
- Terminal strip: cables of up to 1,5 mm

MEASUREMENTS:

- Height: 22 cm
- Width: 16 cm
- Weight: 460 g
- Depth: 5 cm

OPTIONS:

- Outdoor box.
- Solar kit 12 Vdc.

MODELS:

- Ref. 601055: 5 Stations. LATCH + COM + FILTER and DEMAND. 2.1
- Ref. 601058: 8 Stations. LATCH + COM + FILTER and DEMAND. 2.1
- Ref. 601064: 14 Stations. LATCH + COM + FILTER and DEMAND. 2.1
- Ref. 601075: 5 stations FERTI. and FILTER + COM. 3.0
- Ref. 601078: 8 stations FERTI. and FILTER + COM. 3.0
- Ref. 601079: 14 stations FERTI. and FILTER + COM. 3.0
- Ref. 650102: Outdoor box Hydro-PLUS. (optional)
- Ref. 602502: TRI card tele-manag. RADIO 868. (optional)

New Programs for:
-FERTIRRIGATION
-BACK-FLASH FILTER WASHING
- ON-DEMAND IRRIGATION



HELIOS RC Radio COM

Boxes for external use with options of tele-management



Ref. 602511



Integration in one box all equipment: PG+CAP+TRI



TRI Integrated Radi card

Ref. 602580



Ref. 602581



Ref. 602582



Ref. 602583

CAP PG-6025 · Tele-Control and Irrigation network systems

The best solution for intelligent and automatic control of your irrigation system is called **Hydro-Plus**. The integration of different control equipment and management make this tool one of the most sophisticated in the market for its range of low-power, long-range communications, and powerful software algorithms for auto-reset "Water Balance".

Communication equipment are:

- **CAP:** The manage centralizing communication link between programmers. It features 3 model options:
 - **CAP GSM / RADIO** (standard): Radio communication with TRI's programmers and Internet.
 - **CAP GSM / RADIO+SENSORY:** It also includes a card with 6 digital inputs, 4 analog and RS485 port.
 - **CAP WIFI-ETHERNET:** Communication in areas with Internet access point through a WIF/ETHERNET modem.
- **TRI:** The mini-card that is placed on the programmers and MSR's to establish wireless communication.
- **MSR:** The remote sensor module with 2 digital inputs and 2 analog outputs for remote sensing in culture.

GENERAL PROPERTIES:

- Communication cards GPRS / WIFI / RADIO for remote communication with programmers PG-6010, PG-6060 (2.1) and PG-6015.
- Application Hydro-Pad® free downloadable application for mobile devices and Hydro-Plus® web environment.
- Digital inputs: 6 digital inputs for reading flow meters, pressure transmitters, humidity, soil moisture, etc.
- Analog Inputs: 4 analog inputs for sensors, rain sensors, anemometers, etc.
- Relay outputs: 2 relay outputs for contactors (pump start).
- Remote Access: Radio links to the programmer and radio antennas. (cables and antennas included).
- Outputs for GPRS antennas and RADIO (antenna included).
- Window facility for SIM card.
- Very simple setup and commissioning.

MODELS:

- Ref. 602501: CAP "Communication Access Point" GSM + RADIO (CAP)
- Ref. 602511: CAP GSM + RADIO with SENSOR inputs (CAP+S).
- Ref. 602505: ACCESS POINT WIFI + ETHERNET.
- Ref. 602502: INTEGRATED RADIO CARD (TRI).
- Ref. 602503: REMOTE SENSOR MODULE MSR (field sensors).
- Ref. 602578: Radio wire of 2 meters and mounting base.
- Ref. 602579: Orientable antenna.
- Ref. 602580: Long distance plastic antenna.
- Ref. 602581: Long distance aluminum antenna.
- Ref. 602582: Long distance plastic bumper antenna.
- Ref. 602583: Super-long distance omnidirectional plate antenna.

Up to 25 Km!

VYR Controllers

Designed for agricultural control and tele-management.

MEET THE MOST INTUITIVE, INNOVATIVE AND INTELLIGENT IRRIGATION PROGRAMMER IN THE MARKET

Other smart programmers have a set schedule and only adjust the duration of the irrigation depending on the weather conditions. The Skydrop software starts with the most accurate evapotranspiration calculations and weather forecasts, and then dynamically schedules when each zone should be watered, and also for how long.

From your lawn, to your flower areas and orchards, Skydrop takes care of all the details (including local watering restrictions) so you do not have to worry. And when we say all the details ...

We mean it!



RELATED PRODUCTS:

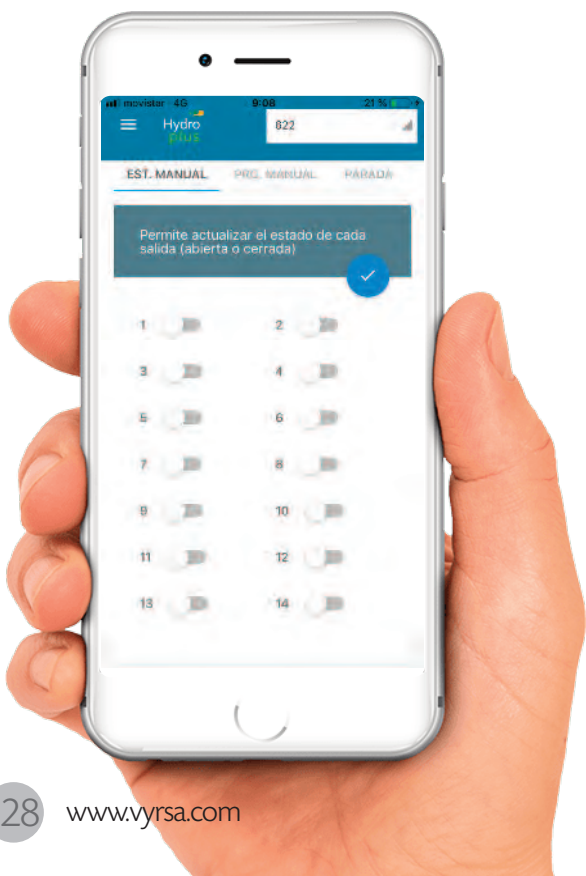
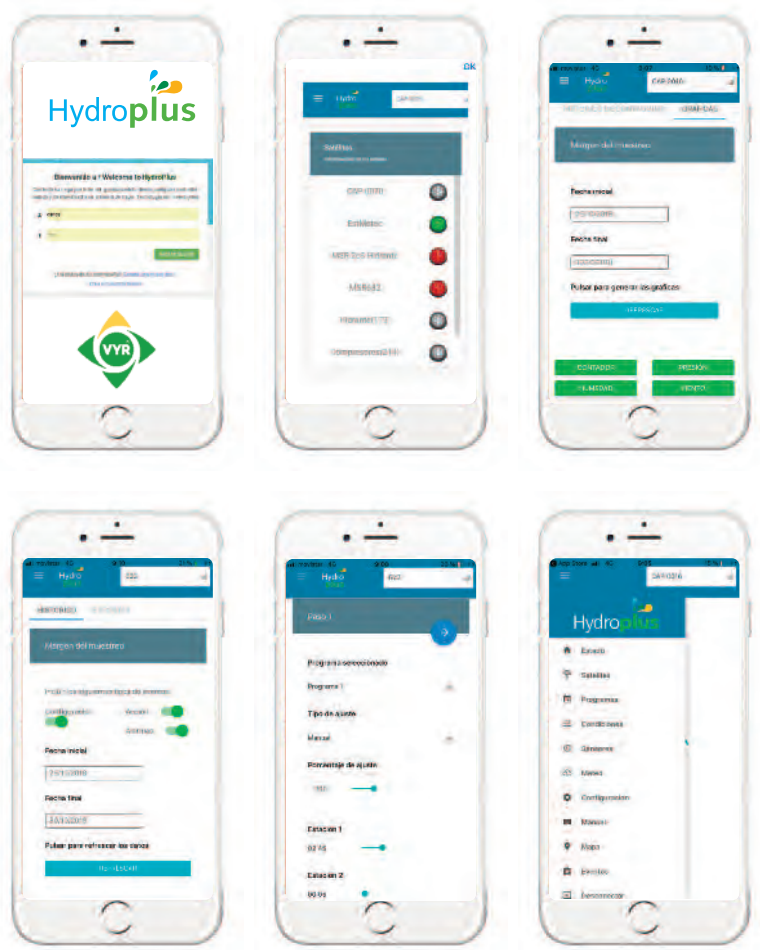
- Ref. 601074: 14 Stations + TRI (RADIO).
- Ref. 601084: 14 Stations + BOX.
- Ref. 601094: 4 Stations + TRI + BOX.
- Ref. 601054: 14 Stations + TRI + CAP (GSM+RADIO) + BOX

GSM & RADIO

Low consumption



Hydroplus





HYDRO-PLUS

WEB-APP for professional management



Hydro-Plus & Hydro-Pad are our software applications for control of irrigation VYR equipment PG-access communications, designed for PCs, phones and tablets PDA with Internet access. These applications are based on the Hydro-Plus software and allows us logically and visually analyze the actual situation of our irrigation controllers and make changes to their settings.

HYDRO-PLUS (www.hydro-plus.es):

Hydro-Plus is a **web application** for remote control from any device with internet access. After programming and integration of different system components (valves, pumps, meters, nozzles, weather stations and sensors, etc ...), we can generate management patterns depending on the agro-meteorological and physical conditions

of the system, thus generating different types of alarm.

GPS for location and actual positioning network maps of the different components of the system. Organize easily create different groups of plants per irrigation plot, crop types, etc. and independently manage their programming. Other devices than irrigation can be controlled for activation such as lighting, power, alarms, cameras, doors, etc.

Examples of HYDRO-BALANCE:

- If the case of precipitation above a given range or set to a moisture content of soil also out of range, the start times will be delayed and even adjust watering times to the needs of the plant and soil.
- If the level of evapotranspiration is a large percentage increase run times for recovering the lost water.



HYDRO-PAD (APP):

The **APP** application to Hydro-Pad mobile devices is based on the web application www.hydro-plus.es and includes an intelligent software with common remote management tools. Thanks to its use will increase savings and good management of risks. Also this version is ready to bind with mobile devices via Bluetooth.



CORE CONDITIONS:

Using this intelligent software you can adjust watering times to the needs of demand for their crops taking into account the weather and measuring sensors in culture:

- Soil moisture > / = RUN CANCEL/ INCREASE OF IRRIGATION
- Soil moisture < / = .% INCREASE OF IRRIGATION
- If the ETo > / < = DECREASE /INCREASE
- Reset by precipitation mm/m²/h
- Delay wind speed
- Program soda if temperature > °C
- Anti-freeze if the temperature program < °C.

ALARM WARNINGS:

Hydro-Plus system is able to generate alarms and automatic alarm-system disabler. Alarms can activate by:

- Intrusion relay.
- Pressure / flow (delay irrigation valve from where it left off).
- Failure of communication.
- Level.

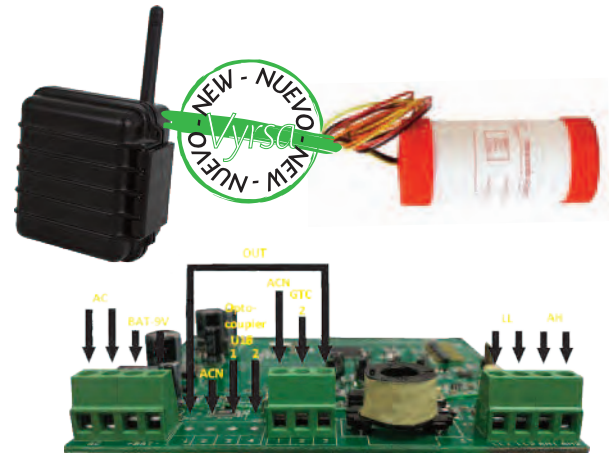
These alarms can be sent to mobile devices via SMS or e-mail.

| USER PLAN | REF # | # PG´s | # Decod. per PG | # Accounts | METEO-SMART | AGRON. | PEST CONTROL |
|-----------|--------|---------|-----------------|------------|-------------|--------|--------------|
| BASIC | 602501 | 1 - 4 | < 15 / PG | 1 | NO | NO | NO |
| | | | | | YES | NO | NO |
| | | | | | YES | YES | NO |
| | | | | | YES | YES | YES |
| PLUS | 602504 | 5 - 12 | < 50 / PG | 4 | NO | NO | NO |
| | | | | | YES | NO | NO |
| | | | | | YES | YES | NO |
| | | | | | YES | YES | YES |
| MASTER | 602520 | 13 - 50 | < 128 / PG | 8 | NO | NO | NO |
| | | | | | YES | NO | NO |
| | | | | | YES | YES | NO |
| | | | | | YES | YES | YES |

| PRO PLAN | REF # | USERS |
|-------------|--------|---------------|
| LOCAL | 602020 | 1 - 20 users |
| RESIDENTIAL | 602050 | 1 - 50 users |
| COMMUNITY | 602100 | 1 - 100 users |

NOTE: The cost of the above licenses includes the SIM card in the GPRS modems (included).

PG-6015 DEC Wire + Radio Decoder



MASTER-DEC PG-6015 · Wire + Radio Decoder Controller up to 255 stations

GENERAL PROPERTIES:

- 24Vac Controller for **2-WIRE** and/or **RADIO** decoders.
- The same programmer acts as a programming console for the field decoders. Easy and quick to program.
- Number of decoders: Up to **127 wired stations + 128 radio stations + master valve + sensors**.
- Number of programs: 6 independent and overlapping programs.
- Number of starts: 6 starts per program.
- Cycle duration: up to 7 days. (days, interval, odd or even).
- Programming times: from 1 minute to 12 hours per valve, with descending counter in minutes.
- **Wire** range up to **1,500 m (5000 ft)**, and **Radio** up to **12 Km (7,5 Mi)**.
- **MANUAL START** of stations and programs with "countdown".
- Programmable delay between stations and / or pump.
- **DOSIFICATION PROGRAM** of up to 4 fertilizers with independent waiting time and dosing time.
- Up to **6 Master-Valves and/or Pumps**. Configurable!
- Communications port for remote control through Hydro-Plus by **GPRS** or **WiFi communication**.
- Up to **16 sensor inputs**: 2 of ON/OFF / 4 of 4-20 mA / 6 of digital CC / 3 of digital 1-255 Hz / 1 of SDI-12.
- Outdoor box with press releases-tow and safety lock.
- Outlets for outdoor antenna and sensor inputs.
- Program "D-F" configurable in minutes or seconds with inhibition from the N / C sensor. This allows us to connect pressure differential pressure switches for the automatic **WASHING OF FILTERS**, connection to fertilizer injection pumps or short sequential irrigation.
- Easy installation, programming and use thanks to its versatile design and its hybrid control system.
- Rotary mechanical control menu and 4-key ergonomic keyboard.
- Digital display with icons that make its management very logical and simple.
- **PAUSE** and **DELAY** menu positions.
- Water supply adjustment between 10% and 400%

- Input for activation of master valve and two inputs for sensors, one normally open (differential pressure switch for washing filters), and the other normally closed (rain sensor).
- Safety system with low battery **ALARM** (closes all valves and is blocked until the change by a new battery).
- Non-Volatile memory that keeps the programs made and are not deleted in case of blackouts. Connection to external 9Vdc betría to maintain the time and calendars in case of power cuts.

TECHNICAL SPECIFICATIONS:

- Voltage: 110 / 220V transformer from 2300 mA to 24Vac.
- Output: 24Vac.
- Number of admissible valves: 2 24Vac solenoids per decoder.
- Connection strip: cables up to 1.5 mm.

MEASUREMENTS:

- Height: 22 cm
- Width: 16 cm
- Weight: 460 g
- Depth: 5 cm

MODELS:

- Ref. 601595:** PG-6015 DECODER INDOOR 1- 40 VALV.
- Ref. 601596:** PG-6015 DECODER OUTDOOR 1- 40 VALV. (COM)

- Ref. 601597:** PG-6015 DECODER INDOOR 1- 80 VALV.
- Ref. 601598:** PG-6015 DECODER OUTDOOR 1- 80 VALV. (COM)

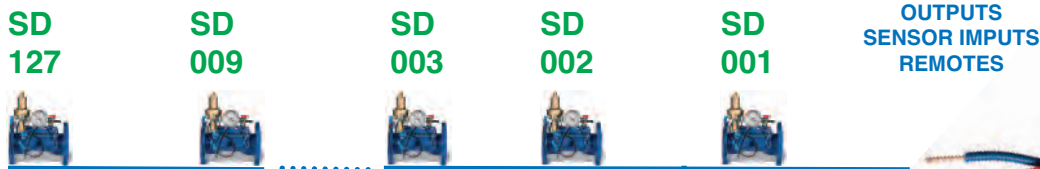
- Ref. 601595:** PG-6015 DECODER INDOOR 1- 120 VALV.
- Ref. 601596:** PG-6015 DECODER OUTDOOR 1- 120 VALV. (COM)

- Ref. 601595:** PG-6015 DECODER INDOOR 1- 255 VALV.
- Ref. 601596:** PG-6015 DECODER OUTDOOR 1- 255 VALV. (COM)



PG-6015 DEC

2 Wire Decoder 24Vac and/or Radio Decoder 9-12Vdc Latch

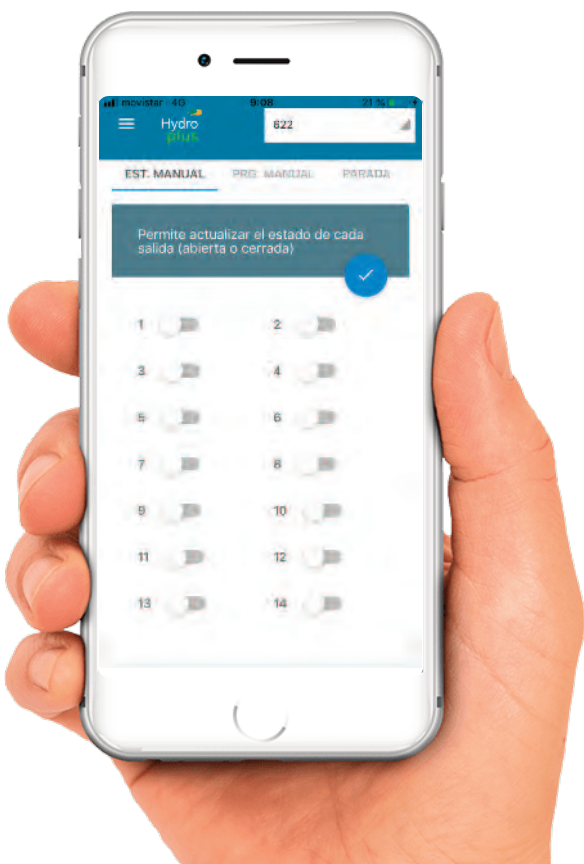
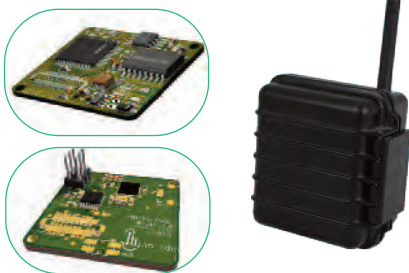


Compatible with: **Hydroplus**

Consiguelo en el App Store

DISPONIBLE EN Google Play

COMMUNICATION WITH MODULES **OASIS RD**



GENERAL PROPERTIES:

- License for Smart Irrigation Controller of 220/24 Vac for connection to the network via WIFI or 4G or 5G modem, which is connected to the electro-valves by means of a 2-wire copper cable hose, on which the voltage is sent and necessary data to open / close these through a decoding micro-electronics.
- It has 4 independent and overlapping programs (A, B...F) and up to 6 daily starts per program.
- The same programmer acts as a console to re-program the code of the decoders.
- Anti-tormentas protection.
- It can be controlled remotely through our APP HydroPLUS. Enter the characteristics of the land and its plants to automate the Smart Irrigation settings (type of land, type of plant, sunny or shaded area, level of inclination of the land, etc ...).
- Automatic detection of the connection of 24 Vac valves.
- Detection of short-circuits or wiring failures.
- Inputs for humidity / rain sensors.
- Very simple configuration and start-up.

MODELS:

- Ref. 601521: DECODER-SOLENOID 24Vac 2 way (integrated)
- Ref. 601523: DECODER-SOLENOID 24Vac 3 way (integrated)

- Ref. 601501: Field DECODER dfor SD-1 STATION.
- Ref. 601502: Field DECODER dfor SD-2 STATIONS.
- Ref. 601504: Field DECODER dfor SD-4 STATIONS.

- Ref. 601512: DECODER MSR sensor read ID-4.
- Ref. 601514: DECODER MSR sensor read ID-8.

- Ref. 601514: COM. LINK RADIO LoRa
- Ref. 601515: COM. LINK GPRS / WiFi





SKYDROP ARC WiFi 24 Vac



Adapter for wall installation



SKYDROP ARC · Tele-Control Systems and Intelligent Irrigation Networks

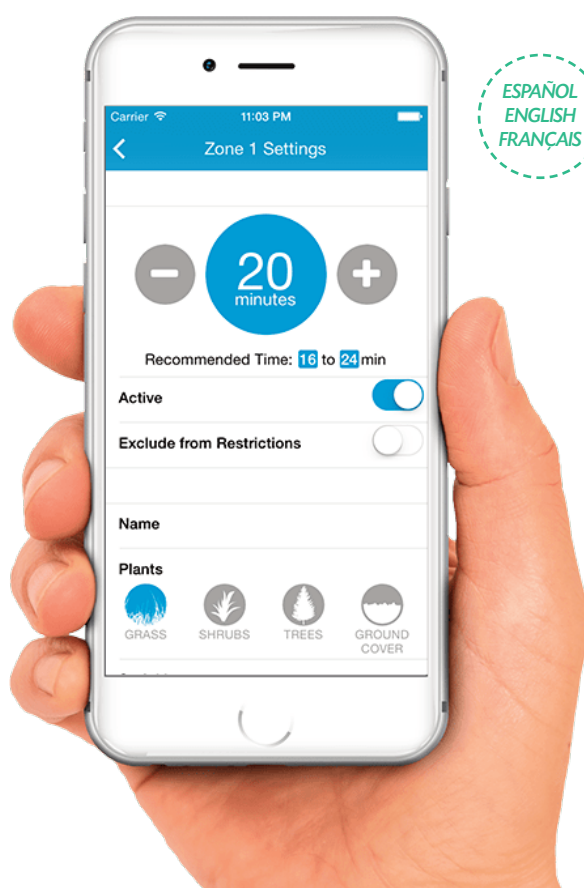
GENERAL PROPERTIES:

- Intelligent Irrigation Programmer of 220/24 Vac for connection to the network through WIFI, which will interact with the agronomic data and local meteorological data to re-schedule the irrigation times and frequencies according to the needs.
- Enter the characteristics of the land and its plants to automate Skydrop's Intelligent Irrigation settings (type of land, type of plant, sunny or shaded area, level of terrain inclination) -
- The SKYDROP® application is free download for mobile devices and also has a web environment application for installers-administrators and administer user groups.
- Automatic detection of the connection of 24 Vac valves.
- Detection of short-circuits or wiring failures.
- Inputs for humidity / rain sensors.
- Input for flow meter and water consumption meter.
- Very simple configuration and start-up.

MODELS:

Ref. 609012: SKYDROP ARC WiFi controller for 12 stations + MV and Sensor.

ESPAÑOL
ENGLISH
FRANÇAIS



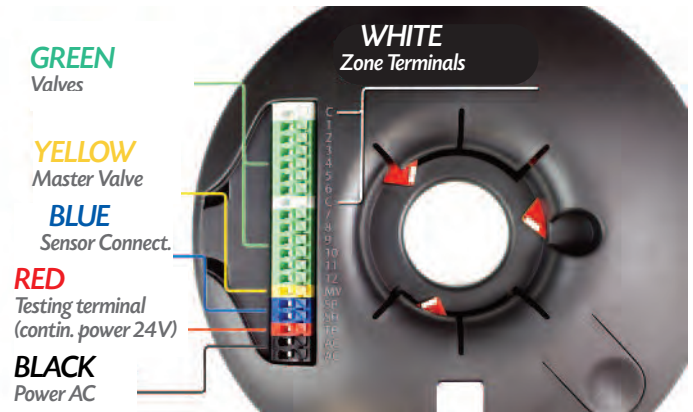
Intelligence combined with simplicity for a perfect watering!

MEET THE MOST INTUITIVE, INNOVATIVE AND INTELLIGENT IRRIGATION PROGRAMMER IN THE MARKET

Other smart programmers have a set schedule and only adjust the duration of the irrigation depending on the weather conditions. The Skydrop software starts with the most accurate evapotranspiration calculations and weather forecasts, and then dynamically schedules when each zone should be watered, and also for how long.

From your lawn, to your flower areas and orchards, Skydrop takes care of all the details (including local watering restrictions) so you do not have to worry. And when we say all the details ...

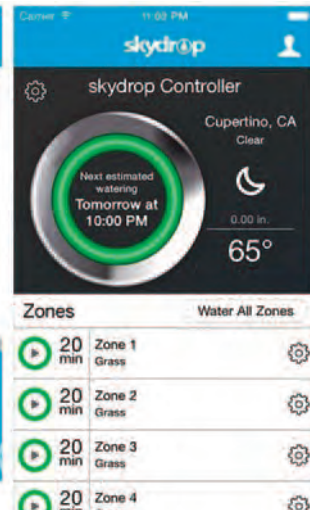
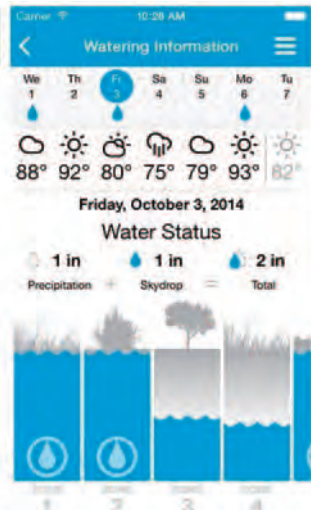
And we mean it!



Luminous code of colors indicating the status of the programmer:



- GREEN**
Connected to WiFi
- BLUE**
Irrigating
- YELLOW**
No WiFi connection
- RED**
Short-Cut at valve





SKYDROP PLUS

Smart irrigation



Modem WiFi USB for outdoor box



Outdoor box

SKYDROP · Tele-Control Systems and Intelligent Irrigation Networks

GENERAL PROPERTIES:

- Smart Scheduler 220 / 24Vac for network connection via WiFi, which interact with agronomic data and local meteorological data for re-programs the timing and frequency of watering as needed.
- Enter the characteristics of the land and its plants to automate settings Intelligent Irrigation Skydrop (soil type, plant type, sunny or shady area, level sloping terrain).
- The SKYDROP® application is a free download for mobile devices and also features a web application environment for installers-administrators and manage user groups.
- Automatic detection of connection of the valves 24 Vac.
- Detection of short circuits or faulty wiring.
- Humidity Sensor Inputs / rain.
- Input for flowmeter and counter water consumption.
- Very simple configuration and commissioning.

MODELS:

Ref. 609001: SKYDROP controller with 8 stations + MV and flow and humidity sensors.

Ref. 609002: Expansion module 9-16 stations + sens.

Ref. 609003: Outdoor security box.

Ref. 609004: Mini-Modem GSM - WiFi.





www.skydrop.com
the app for mobile devices



SkyDrop smart programmer has a free application APP for both IOS as Android devices that lets you view and remotely operate everything that happens in your programmer. Create your account quickly and easily through MySkyDrop.com and link your mobile device with your programmer using the security code will be provided.

In addition SkyDrop also has a WEB application for professional control irrigation networks and manage a set of local customers. In this way a professional installer can configure and manage all customers and programmers to ensure that programming is optimal and that is saving water while the appearance of the gardens is improved.

Simply follow the initial setup steps that the same programmer will guide you to enter the agronomic data of different irrigation stations: soil type (sand, screening, clayey, silty), type of plant (grass, shrubs, trees, flowers), solar radiation (sunny, semi-sunny, shaded), type of issuer (diffuser, rotary, turbine-sprinkler, drip), tilt (flat, slightly sloping steeply inclined). With all this information with meteorological data and you know at all times the optimal way to run the risks.

From SkyDrop applications we can program the desired time starts and irrigation. Also, if the option "Smart Irrigation" is activated watering times are automatically re-adjusted daily depending on the weather forecast and actual status of the land. Another of the options is "Active Minutes" that allows us to make small adjustments to the irrigation recommended increasing or decreasing this proportion.

Experience the Skydrop difference

Easy to install

Connects to your existing sprinkler system wiring in minutes.

The right way to water

Use up to 50% less water.

Wi-Fi Enabled

Access real-time information from anywhere.

Simple to use

Quickly to program to meet local water restrictions.



Manage Anywhere

Phone, computer, tablet-precision control at your fingertips.

Real-time neighborhood weather data

Predictively adjusts to hyper-local, real-time weather conditions.

Control the savings

Dynamic schedule for maximum conservation.

Integrates with other smart home systems

Quickly to program to meet local water restrictions.

VYR-6500 Aluminum Deluxe Cabinet

Controller Accesories



Ref. 650000 

GENERAL PROPERTIES:

- Leak-tight aluminium cabinet with stainless steel hinges and double lock with safety key.
- Movable plate with the capacity to house V-6000/6001/6010/6015 controllers, RTU and SATELINE SERIES (radio, gprs, modems), transformers and temperature sensor.
- Mostly used on golf courses and municipal urban areas for the remote management of multiple and varied irrigation zones.
- IP-55 sealing and interior ventilation to avoid condensation.
- Lower cubicle for hydraulic valves (15) or communication systems, modem and modules supporting 8 stations (up to 48).
- "Hydro-control" kit of up to 15 hydraulic solenoid valves to drive the valves hydraulically.
- Painted with light grey polyester-epoxy resin. (20x15x115 cm).

MODELS:

- Ref. 650000: Model for hydraulic systems.
- Ref. 650001: Model for electrical systems.

Outdoor plastic box

Controller Accesories



Ref. 650102



Ref. 650115

GENERAL PROPERTIES:

- Plastic cases of polycarbonate reinforced with fiberglass and IP-66 sealing for protection of electronics.
- Covers with cut-outs M20, M25 / 32 and M32 / 40.
- Set of hinges with drilling template.
- IP-68 cable entry gland and anti-condensation cap included.
- Machined to accommodate programmers VYR-6000 / 6001 / 6010 / 6015, transformer and temperature sensor plate.

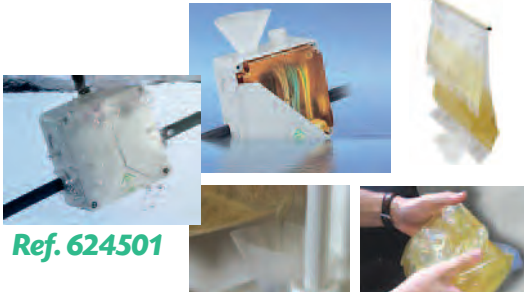
MODELS:

- Ref. 650102: HydroPlus IP-66 box with safe locks 250 x 170 x 220 mm
- Ref. 650101: IP-66 with lock INOX 180 x 180 x 90 mm
- Ref. 650100: IP-66 with lock INOX 254 x 180 x 115 mm
- Ref. 650108: IP-66 conjunction box for 8 estat. (COMMON).
- Ref. 650115: IP-66 conjunction box for 15 stat. (COMMON).
- Ref. 650290: Humidity valve plug.
- Ref. 650251: Gland of 16 mm
- Ref. 650252: Gland of 20 mm
- Ref. 650253: Gland of 25 mm



Accesories & connections PG's

Controller Accesories



Ref. 624501

GENERAL PROPERTIES:

- Accessories for connecting cables, packing gland, and anti-condensation vents to prevent short-circuits or shunts electric irrigation facilities, wiring closets and programmers.

MODELS:

Ref. 624501: Kit of isolation gel of 600 ml. to filled up boxes. Isolation IP-68.

Ref. 625125: IP-68 connector female-male for 3w 0,5-1,5 mm², max. 30V

Ref. 625542: Multiconnector for 2 wire with LATCH.

Ref. 625543: Multiconnector for 3 wire with LATCH.

Ref. 625544: Multiconnector for 5 wire with LATCH.

Ref. 625551: Capsule **S** with GEL for multiconnector (2 wire).

Ref. 625552: Capsule **L** with GEL for multiconnector (2x2 wire / 1x 3 wire).

Ref. 625553: Capsule **XL** with GEL for multiconnector (3 x 2 wire / 2 x 3 wire / 1x 5 wire).

Ref. 625130: Connector standard for 3 wire of 0,5-1,5 mm², max. 30V

Ref. 625133: Connector standard for 3 wire of 1-2,5 mm², max. 30V

Ref. 625131: Connector standard for 3 wire of 4 mm², max. 30V



Ref. 625553

Ref. 625544

Ref. 625133

Ref. 625130

Ref. 625131

Ref. 625125

Power transformers

Controller Accesories



Ref. 630224

Ref. 630324

VYR-6300 POWER TRANSFORMERS / CONVERTERS:

Ref. 630212: TRANSFORM. EUROPE 220 V - 12 V DC - 1,5 Amp

Ref. 630112: TRANSFORM. AMERICAN 110 V - 12 V DC - 1,5 Amp (CLAVIJA PLANA)

Ref. 630224: TRANSFORM. EUROPE 220 V - 24 V AC - 1,5 Amp

Ref. 630124: TRANSFORM. AMERICAN 110 V - 24 V AC - 1,5 Amp (CLAVIJA PLANA)

Ref. 630324: TRANSFORM. EUROPE 220 V - 24 V AC - 0,3 Amp

Pump Relays & Starters

Controller Accesories



Ref. 620109

Ref. 620107

RELAY CONTACTORS & STARTERS:

Ref. 620112: CONTACTOR 12V dc / 110-220V, 2-3 PHASES / 5-7,5 HP

Ref. 620124: CONTACTOR 24V ac / 110-220V, 2-3 PHASES / 5-7,5 HP

Ref. 620109: CONTACTOR 9/12V dc LATCH / 110-220V

Ref. 620107: BASIC PUMP STARTER BOX 110-220V up to 7,5 HP

Ref. 620125: PROGRESIVE PUMP STARTER BOX 220-400V up to 25 HP

Ref. 620140: VARIATOR PUMP STARTER BOX 220-400V up to 200 HP

VYR-6030 Rain-Click Controller Accesories



Ref. 603001

GENERAL PROPERTIES:

- Safe and reliable. Adjustable humidity level.
- Very easy to connect to the controller.
- Saves water!

MODELS:

Ref. 603001: Rain-click.

VYR-6033 Wind-click Controller Accesories



Ref. 603301

GENERAL PROPERTIES:

- Seguro y fiable. Grado de humedad regulable.
- Muy fácil de conectar a cualquier programador con entrada de sensor de velocidad de viento.
- Modelo relé con conmutador ajustable.

MODELS:

Ref. 603301: Wind-click + adjustable relay.

Ref. 603305: Wind-PRO digital.

Ref. 603355: Wind-PRO + relay reg. 12-24Vdc.



Ref. 603305

VYR-6034 Flow-Click Controller Accesories



Ref. 603401

GENERAL PROPERTIES:

- Safe and reliable. Flow level from 1,5 - 2250 l/min. For 3/4" - 8" pipes.
- Very easy to connect to the controller with NO/NC sensor.
- Saves water!

MODELS:

Ref. 603401: Flow-click.

VYR-6031 Humi-Click Controller Accesories

GENERAL PROPERTIES:

- Safe and reliable. Adjustable humidity level.
- Very easy to connect to a controller with sensor intake.
- Bypass NO/NC Adjustable.
- Enabling switch.

MODELS:

Ref. 603101: HUMI-click Power of 24 Vac

Ref. 603102: HUMI-click Power of 9 Vdc LATCH.

Ref. 890002: Soil-moisture sensor.

Ref. 633111: Soil-moisture sensor with PVC pipe of 1,3 m

Ref. 633120: Mobile display for soil-moisture sensor.

Ref. 633113: Ground auger.



VYR-6032 Soil moisture sensor Field-Scout

Controller Accesories



GENERAL PROPERTIES:

- Reading of instantaneous temperature and humidity.
- Very easy to connect to any programmer with sensor input.
- Bypass NO / NC. Reprogrammable.
- Enabling switch.

MODELS:

Ref. 603201: Humidity-temperature Instantaneous sensor "WaterScout".

Ref. 603202: Portable tool with soil-moisture sensor. Instant + Display TDR 300.

VYR-6040 Temperature sensor Clima-Click

Controller Accesories



Ref. 604001



VYR-6040 GENERAL PROPERTIES:

- Safe and reliable.
- Adjustable temperature switch level (0/+50).
- Very easy to connect to controllers. VYR-6000 / 6001 / 6010 / 6015.
- Bypass NO/NC. Reprogrammable.
- Enabling switch.

APLICATIONS:

- Anti-frost irrigation and ambient temperature control.

MODELS:

Ref. 604001: Clima-click + Adjustable Relay



VYR-6042 GENERAL PROPERTIES:

- Reading range -10°C to +60 °C
- 4 - 20 mA analog output.
- Power 12Vdc
- Easy connection to any controller with sensor input.

MODELS:

Ref. 604201: Analog temperature sensor.

Ref. 604202: Analog temperature sensor with display.



VYR-6036 Soil moisture probe

Controller Accesories



Ref. 603601

GENERAL PROPERTIES:

- Professional soil moisture sensor with 6-9 humidity sensors inside to measure moisture in different soil levels.
- Intelligent Electronics calculation built for use with HydroPlus.
- Measurement of soil moisture for calculating crop water needs.

MODELS:

Ref. 603601: Probe of 9 sensors, 900 mm

Ref. 603602: Probe of 6 sensors, 600 mm



VYR-6037 Rainfall Sensor



GENERAL PROPERTIES:

- Made of plastic.
- Digital output with 1% accuracy by rocker with spoons system dump.
- Very easy to connect to any programmer with digital sensor input.
- Equipped with filter and anti-bird needles.
- Cable of 10 meters.
- Flanges Tube clamps INOX-column.

MODELS:

Ref. 603701: Rainfall digital sensor.

VYR-6039 Presence sensor



GENERAL PROPERTIES:

- Made of plastic.
- Output to NC/NO by magnetic system locked.
- Very easy to connect to any programmer with sensor input NO/NC.

MODELS:

Ref. 603901: Magnetic presence sensor.

VYR-6038 Flow Digital Emitters



Ref. 603801



Ref. 603802

GENERAL PROPERTIES:

- Made of highly resistant plastic.
- Digital output with accuracy of 0,2%.
- Very easy to connect to any programmer with digital input flow reading.

MODELS:

Ref. 603801: Flow meter of 1" compact 2 - 100 l/min
 Ref. 603802: Digital reader for flowmeters series CH500
 Ref. 603803: Digital reader for flowmeters series CH1000



Ref. 603803

VYR-6035 Pressure click sensor



Ref. 603501

GENERAL PROPERTIES:

- Made of stainless steel.
- Output 4-20 mA with high precision of 0,1%.
- Easy to connect to our date collector controllers.

MODELS:

Ref. 603501: 0-10 BAR output 4-20 mA.
 Ref. 603502: 0-2 BAR DIFFERENTIAL output 4-20 mA.

VYR-6041 Level sensor



Ref. 604101

GENERAL PROPERTIES:

- Made of plastic.
- Very easy to connect to any programmer with sensor input NO/NC.

MODELS:

Ref. 604101: Magnetic level sensor.

Solar Kits

Controller Accesories



GENERAL PROPERTIES:

- Charging system using solar panels and voltage regulators.
- Aluminum frames and safety glass for maximum protection of the panels.

MODELS:

Ref. 607052: SOLAR PANEL A-1/4 W. (PG-6010 & Green-Plus)

Ref. 607060: SOLAR PANEL A-10/10 W. (PG-6010 & Green-Plus)

Ref. 607065: SOLAR PANEL A-50/50 W.

Ref. 607097: Adjustable pole fastening base 3.5 meters.

Ref. 607090: Charging regulator.



Batteries

Controller Accesories



VYR-6040 GENERAL PROPERTIES:

- Heavy duty batteries and rechargeable for our programmers and data communication systems.

MODELS:

Ref. 607072: LITIUM LIPO BATTERY 7,2 V, 3800 mAh

Ref. 607002: PILA LITIO 9 V, 1200 mAh

Ref. 607005: RECHARGABLE LITIUM BATTERY 4400 mAh

Ref. 607010: RECHARGABLE BATTERY 12 Vdc, 1,2 Ah

Ref. 607011: RECHARGABLE BATTERY 12 Vdc, 3,2 Ah

Ref. 607012: RECHARGABLE BATTERY 12 Vdc, 9 Ah

Ref. 607030: BATTERY 24 V, 38 Ah

Ref. 607040: VOLTAGE LIMITATOR for 12Vdc



Micro-Hydraulic Turbine for Battery Charge

Controller Accesories

The MICRO- HYDRAULIC TURBINE has been manufactured in polyamide and developed to be able to maintain the battery charge of a tele-control system, taking the external energy through the existing flow in the irrigation system pipes. The power supplied to charge the battery is approximately 3.7 Vdc, 1A / 3.7 W (peak).



Ref. 607095

GENERAL PROPERTIES (3,7 V):

- Nominal pressure: PN-10 (10 BAR / 145 PSI))
- Connection: 1/2 "male x 1/2" male.
- Working flow range: 1.5 - 20 L / min (0.5-2 BAR).
- Working temperature range: -12 °C / + 65 °C
- Output voltage: 3.7 Vdc.
- Current: 1000 mA.
- Control of the load ON / OFF maneuver.

MODELS:

Ref. 607095: MICRO-HYDRAULIC TURBINE FOR 3,7 Vdc CHARGING.

Ref. 607097: MICRO-HYDRAULIC TURBINE FOR 7,2 Vdc CHARGING.

GENERAL PROPERTIES (7,2 V):

- Nominal pressure: PN-10 (10 BAR / 145 PSI))
- Connection: 1/2 "male x 1/2" male.
- Working flow range: 1.5 - 20 L / min (0.5-2 BAR).
- Working temperature range: -12 °C / + 65 °C
- Output voltage: 7,2 Vdc.
- Current: 1500 mA.
- Control of the load ON / OFF maneuver.

VYR-8900

Agro-weather stations



Ref. 890003



Ref. 890015

GENERAL PROPERTIES:

- Control agro-meteorological and soil conditions in all types of agricultural crops: fruits, vegetables, cereals.
- These stations are configured for the integration of agro-meteorological data in our irrigation controllers (HydroPlus & Hydro-Pad).
- The data collected is stored and processed for the creation of conditions I have adjusted the times and types of irrigation depending on bond the weather situation, land, and culture.
- Tele-communications via radio between stations and sensors and wireless, cable, GSM / GPRS or WIFI for readings and remote control.
- Optional display console and programming "Control-Display".
- Frost control.
- Inhibition by alarms: wind, temperature, humidity, etc.

NOTE: Agro-Weather stations are configured for the communication link with developers VYR PG-control equipment and Green-Plus.

Total integration with HydroPlus!



Ref. 893210



Ref. 890005



Ref. 893280



Ref. 893200



Ref. 893200



Ref. 893280



Ref. 890011



Ref. 890012

Station Models:

STATIONS MODELS:

- **Ref. 890002 AGRO-METEO VP-2:** With internal barometer and sensor temp / hum sensor, outdoor temperature and humidity, vane cup anemometer (12m cable), rocker gauge, 0.2 mm resolution. Wired models include a 30 m cable for connection between console and sensors and wireless models include a transmitter and a receiver for the wireless connection between sensors and console (up to 300m line of sight). The set of sensors are pre-assembled for easy installation. Sensors are optional solar radiation and UV.
- **Ref. 893210 AGRO-METEO VP-1:** With internal barometer and temperature sensors. / Hum, temperature and humidity sensor outside, cup anemometer and wind vane, rain gauge spoon, a 0.2 mm resolution; wireless connection between sensor and console (up to 300m line of sight) pre-assembled set of sensors, sensor array pre-assembled for easy installation.
- **Ref. 893280 AGRO-METEO FIELD:** Remote field station (1 km) with temperature sensors and soil moisture. It is optional humidity sensor sheet.
- **Ref. 890011 AGRO-WEATHER CONTROL + DISPLAY:** For storage, transmission, display and control data network or Ethernet connection, data processing software, support for Green-Green-Pad Plus and update data in real-time output IP. It also sends daily reports and e-mails for alarm.
- **Ref. 890002 AGRO-WEATHER CONTROL-LINK:** For storage and transmission of data and USB or serial port, data processing software, data support, support for Green-Green-Pad Plus to update data in real time.

SENSOR MODELS:

Ref. 890002: SOIL HUMIDITY MOISTURE SENSOR.

Ref. 890003: SOIL TEMPERATURE SENSOR.

Ref. 890004: LEAF HUMIDITY SENSOR.

Ref. 890032: INOX STAND 1m FOR FIELD STATION.

Ref. 890031: INOX STAND 2,5 m FOR WEATHER STATIONS.

Ref. 890005: SOLAR RADIATION SENSOR (only for VP-2).

Ref. 890006: UV SENSOR (only for VP-2).

Ref. 890007: TRAY FOT SENSOR ASSEMBLY OF RADIATION & UV.

Ref. 890008: KIT PH SENSOR MEASUREMENT.

Ref. 890009: SOIL CONDUCTIBITY SENSOR.

Ref. 890015: HYDRO-PLUS WEATHER-BRIDGE.

Ref. 890010: MODEM GSM/GPRS FOR DATA TRANSMISSION.

Ref. 890013: FIELD WIRELESS REPEATER.

Ref. 890014: DATALOGGER & SOFTWARE FOR REMOTE CONTROL.

Ref. 890030: SEALED BOX WITH ELECTRONIC DATA LOGGER XP+SOFTW.

Ref. 890033: STORM GUARD.



Ref. 890002



Ref. 890009



Ref. 890030



Ref. 890013



Ref. 890033





Valves



HYDRANT VALVES

- VYR-81-82-83.....Pg. 146
- VYR-81P-82P-83P..... Pg. 147

MICRO-VALVES

- VYR-6230.....Pg. 148

SOLENOID VALVES

- VYR-6160 PRECISION..... Pg. 149
- VYR-6151 HIGH-FLOW.....Pg. 150

HYDRAULIC VALVES AND ACCESSORIES

- VYR-6152 PILASTIC 2" and 3"..... Pg. 152
- VYR-6154 PLASTIC MODULAR 4"..... Pg. 154
- VYR-6110 METAL THREAD..... Pg. 156
- VYR-6115 METAL SLOT..... Pg. 157

- VYR-6111 METAL BRIDA.....Pg. 158
- VYR-6112 METAL DOUBLE-BODY.....Pg. 159
- VYR-6120 METAL HYDRANTS..... Pg. 163
- FLOW-METERS.....Pg. 166
- ELECTROMAGNETIC FLOW-METERS..... Pg. 168
- ACCESSORIES HYDRAULIC VALVES.....Pg. 170
- PRESSURE GAUGES.....Pg. 171
- SOLENOIDS.....Pg. 172
- HYDRAULIC RELAY.....Pg. 174
- REGULATION PILOTS.....Pg. 175
- HYDRAULIC PILOTS.....Pg. 176
- HYDRAULIC RACORDS.....Pg. 178
- HYDRAULIC ACCESSORIES.....Pg. 179

VYR-81 Hydrants



VYR-81 · QCV Hydrants

GENERAL PROPERTIES:

- Quick Coupling Valves designed for permanent irrigation systems in private gardens, municipal parks and sports facilities.
- Instant opening with the insertion and turning of a bayonet key. When the key is removed, the valve automatically closes.
- Body made of brass, with stainless steel springs and shaft.
- Brass or thermoplastic cover, depending on model.
- These hydrants make water available at all points in the system, providing easily accessible connection points for hoses and sprinklers.
- Ideal for providing supplementary irrigation.
- Maximum flow of up to 16 m³/h.
- Working pressure between 0.2 and 10 BAR
- Pressure loss lower than 0.35 BAR in maximum flows.

APPLICATIONS:

- Private gardens and municipal parks.
- Sports facilities and golf courses.

MEASUREMENTS:

- Height: 10 and 14 cm
- Visible cover width: 8 cm
- Weight: 475 and 830 g
- Units per box: 50 or 30

OPTIONS:

- Complete kit with swivel elbow.

MODELS:

- Ref. 108100: 3/4" FEMALE (brass tap).
- Ref. 108110: 1" FEMALE.
- Ref. 108111: 1" FEMALE COMPATIBLE with R.B.
- Ref. 108112: 1" FEMALE (brass tap).
- Ref. 108200: 1/2" female, 3/4" male thread.
- Ref. 108210: 3/4" female, 1" male thread.
- Ref. 108211: 3/4" female, 1" male thread compatible with R.B.
- Ref. 108300: 3/4" female thread, hose outlet. 20 mm
- Ref. 108301: 3/4" thread, threaded outlet. 3/4" male.
- Ref. 108310: 1" female thread, hose outlet. 25 mm
- Ref. 108311: 1" female thread, 1" male outlet.

VYR-81P Hydrants



VYR-81P · QCV Hydrants

GENERAL PROPERTIES:

- Irrigation outlet designed for permanent irrigation systems in private gardens, municipal parks and sports facilities.
- Instant opening by insertion and turning of a bayonet key. When the key is removed, the valve automatically closes.
- Made of nylon 6.6 and reinforced with fiberglass, with stainless steel spring.
- Thermoplastic cover.
- These hydrants make water available at all points in the system, providing easily accessible connection points for hoses and sprinklers.
- Ideal for providing supplementary irrigation.
- Maximum flow of up to 16 m³/h.
- Working pressure between 0.2 and 10 BAR
- Pressure loss lower than 0.35 BAR in maximum flows.

APPLICATIONS:

- Private gardens and municipal parks.
- Sports facilities and golf courses.

MEASUREMENTS:

- Height: 10 or 14 cm
- Visible cover width: 8 cm
- Weight: 215 g and 275 g
- Units per box: 15 or 10

OPTIONS:

- Complete kit with swivel elbow.

MODELS:

Ref. 108120: Hydrant 3/4" M

Ref. 108130: Hydrant 1" M

Ref. 108220: Bayonet Key-Tool 3/4" M

Ref. 108230: Bayonet Key-Tool 1" M.

Ref. 108125: Saddle 3/4"

Ref. 108126: Saddle 1"

VYR-6230 Micro-Valves



Ref. 623005



VYR-6230 MICRO-VÁLVULAS · Solenoid valves

GENERAL PROPERTIES:

- 2-way microvalves.
- 3/4" male thread BSP.
- Normally closed.
- Valve body made of nylon 6.6 with 30% fiberglass.
- Permanently clean because of the built-in steel mesh filter.
- Assembled with screws and stainless steel spring.
- Nitrile diaphragm.
- 24 VAC solenoid.
- Working temperature between 2 and 80 degrees.
- Recommended working pressure of 1 to 10 BAR
- Opening and closing response time of 0.5 seconds.
- Resistance test carried out for 25,000 cycles at 15 BAR and 80 degrees.
- Complies with standard UNE 68-074-86/ISO 7714.

- Drip irrigation and micro-sprinklers.
- Threaded directly to a sprinkler to create automatic sprinklers with independent opening valve.

MEASUREMENTS:

- Sprinkler height: 5 cm
- Length: 10 cm
- Visible width from the cover: 4 cm
- Weight: 110 g
- Units per box: 10

OPTIONS:

- Valve with 12 VDC solenoid.
- Valve with 9-12 VDC LATCH solenoid.

MODELS:

Ref. 623001: Micro-valv. 24Vac. 3/4"M -10,5 mm

Ref. 623002: Micro-valv 24Vac. 3/4"M -20 mm

Ref. 623004: Micro-valv HIGH-FLOW 24Vac. 3/4"M -3/4"M

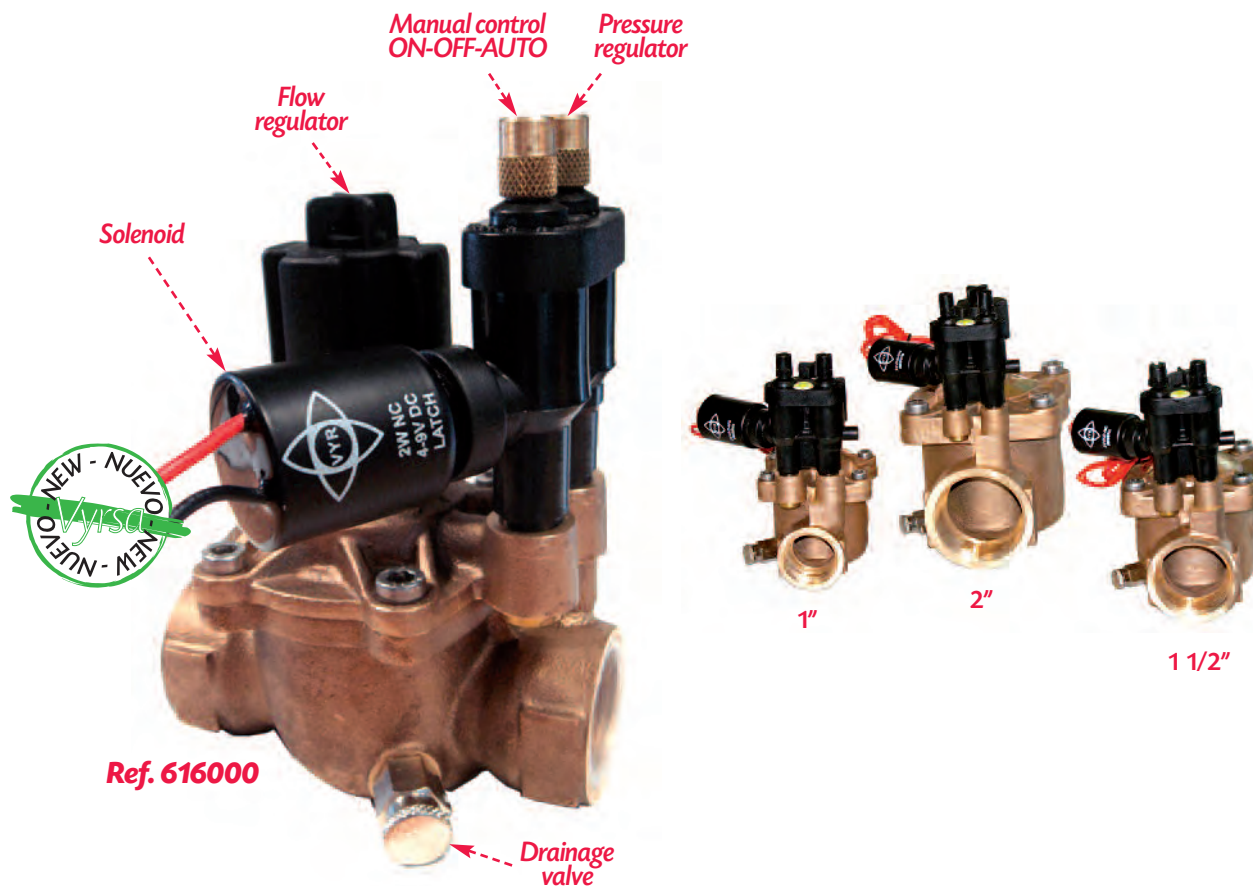
Ref. 623005: Micro-valv.+MANIFOLD 24Vac. 3/4"M - 3/4"M-3/4"H

APPLICATIONS:



VYR-6160

Precision Solenoid Valves



Ref. 616000

VYR-6160 BRASS SOLENOID VALVE · Solenoid valves

GENERAL PROPERTIES:

- Valve made of brass and stainless steel. Hi-flow diaphragm and resistant to high pressure.
- Manual Steering Kit with 3-way valve.
- Kit pressure regulator and sustainer control.
- Solenoid valve.
- Flow regulator.
- Clean permanent filter through the steel mesh incorporated.
- Assembled with screws and stainless steel spring.
- Reinforced EPDM diaphragm material.
- Solenoid Series 24 V. ac. (SEE OPTIONS).
- Working temperature between 2 and 80 degrees.
- Recommended working pressure of 1 to 10 BAR
- Opening and closing response of 0.5 s.
- Resistance test performed for 25,000 cycles at 15 BAR and 80 degrees.
- Built-in flow control.
- Flow range between 38 and 240 l/min.
- Removable from the top to the settlement or replacement of parts
- Meet the UNE 68-074-86 / ISO 7714 quality standards.

APPLICATIONS:

- Gardening residential particular.
- Industrial uses for fluid control.
- Drip irrigation and agricultural plants in greenhouses and horticultural facilities.

MEASUREMENTS:

- Height: 14,5 cm, 16 cm & 18 cm
- Length: 10,5 cm, 13 cm & 15,5 cm
- Width visible from top: 7,5 cm, 8,5 cm & 10,5 cm
- Weight: 1540 g (1"), 2400 g (1 1/2") y 3250 g (2")
- Units per box: 10, 4 & 2

OPCIONES:

- Kit de pilotaje manual
- Kit regulador de presión.
- Válvula con solenoide 12 V dc
- Válvula con solenoide 9-12 V dc LATCH

MODELS:

- Ref. 616000: 1" BRASS, SOSTEINER + FLOW REG.
- Ref. 616002: 1 1/2" BRASS, SOSTEINER + FLOW REG.
- Ref. 616012: 2" BRASS, SOSTEINER + FLOW REG.

VYR-6151 HF Valves



VYR-6151 HF VALVES · Solenoid & Hydraulic valves with flow regulator

GENERAL PROPERTIES:

- Two way HIGH-FLOW valves, body design allows full flow.
- 1", 1 1/2", 2" and 3" female thread BSP.
- Kit for manual opening with 1/4" lever turn.
- Valve body made of nylon 6.6 with 30% fiberglass.
- Permanently clean because of the built-in steel mesh filter.
- Assembled with screws, shaft and spring made of stainless steel.
- Body with brass inserts for screws.
- EPDM diaphragms reinforced with fabric.
- 24 VAC solenoid (SEE OPTIONS).
- Working temperature between 2 and 80 degrees.
- Opening and closing response time of 0.5 seconds.
- Resistance test carried out for 25,000 cycles at 15 bar and 0-80° Celsius degrees.
- Built-in flow regulator.
- Flow range between 38 and 240 l/min. (from 13 m³/h to 85 m³/h)
- Removable from the upper section for repair or replacement of parts.
- Recommended working pressure of 1-12 BAR. (15 - 200 PSI). Works at very low flows and pressure (0,6 BAR), ideal for drip irrigation.
- Resistant when operating with wastewater.
- Complies with standard UNE 68-074-86/ISO 7714.

APPLICATIONS:

- Professional landscaping, urban and commercial areas, sports fields, golf courses, residential and private areas.
- Industrial use for fluid control & Water treatment.
- Drip irrigation and agricultural installations in greenhouses and fields.

MEASUREMENTS:

- Height: 39 cm (1"), 29 cm (1 1/2"), 29 cm (2"), y 29 cm (3")
- Length: 39 cm (1"), 29 cm (1 1/2"), 29 cm (2"), y 29 cm (3")
- Width: 39 cm (1"), 29 cm (1 1/2"), 29 cm (2"), y 29 cm (3")
- Weight: 190 g (1"), 190 g (1 1/2"), 190 g (2") y 240 g (3")
- Units per box: 20 (1"), 20 (1 1/2"), 20 (2"), y 20 (3")

MODELS:

- Ref. 615110: 1" NYLON, SOL-V without flow regulator (PN-10)
- Ref. 615111: 1" NYLON, SOL-V with flow regulator (PN-10)
- Ref. 615112: 1 1/2" NYLON, SOL-V with flow regulator (PN-10)
- Ref. 615120: 2" NYLON, SOL-V with flow regulator (PN-10)
- Ref. 615130: 3" NYLON, SOL-V with flow regulator (PN-10)
- Ref. 615150: 1" NYLON, HYDRA. without flow regulator (PN-10)
- Ref. 615151: 1" NYLON, HYDRA. with flow regulator (PN-10)
- Ref. 615152: 1 1/2" NYLON, HYDRA. with flow regulator (PN-10)
- Ref. 615170: 2" NYLON, HYDRA. with flow regulator (PN-10)
- Ref. 615180: 3" NYLON, HYDRA. with flow regulator (PN-10)

Nozzle Performance

| FLOW m ³ /h | 2 | 3 | 4 | 5 | 6 | 7 | 8 | 9 | 10 | 12 | 14 | 16 | 20 | 25 | 30 | 40 | 50 | 60 |
|---------------------------|------|------|------|------|------|------|------|------|------|------|------|------|------|------|------|------|------|------|
| 1" | 0,23 | 0,24 | 0,28 | 0,35 | 0,46 | 0,60 | 0,82 | 0,97 | 1,22 | | | | | | | | | |
| 1" 1/2 | | | | 0,15 | 0,17 | 0,18 | 0,19 | 0,20 | 0,21 | 0,30 | 0,43 | 0,55 | 0,87 | | | | | |
| 2" | | | | | | | | | 0,16 | 0,20 | 0,24 | 0,29 | 0,32 | 0,40 | 0,50 | 0,55 | 0,61 | 0,78 |
| 3" | | | | | | | | | 0,18 | 0,22 | 0,27 | 0,31 | 0,35 | 0,43 | 0,55 | 0,60 | 0,65 | 0,82 |

SOLENOID-VALVES "VYR Hi-Flow":

The design and quality of the product range offered VYR one of the valves more reliable and robust in the market.

Hi-Flow design provides maximum performance, and with a minimum pressure drop. Furthermore, the internal cavity of the seat of the membrane is self-cleaning, preventing the accumulation of dirt and possible blockage.

The top cover can be injected in lavender color for use with recycled water



Kit Pressure regulator PN-12
Reg. 0,5 - 7 BAR

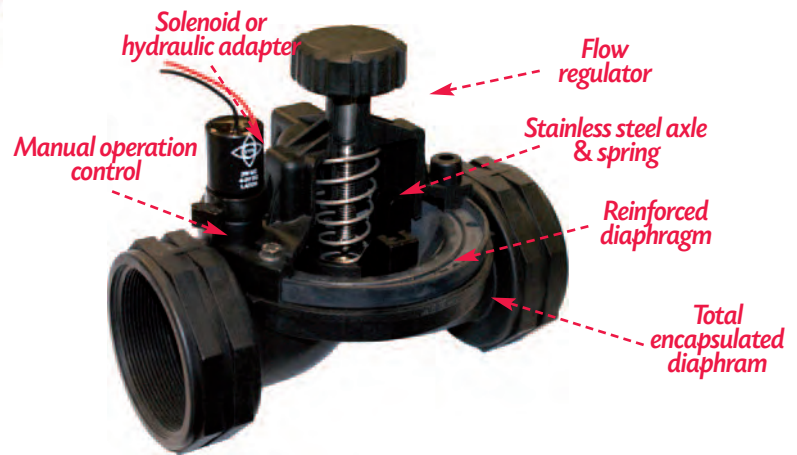


DIAPHRAGMS:
A: 1-6 BAR (drip)
B: 1,5-10 BAR (sprinkler)



Hydraulic adapter for 3 way valve

Hydraulic manual control adapter for solenoid valve



Solenoid or hydraulic adapter

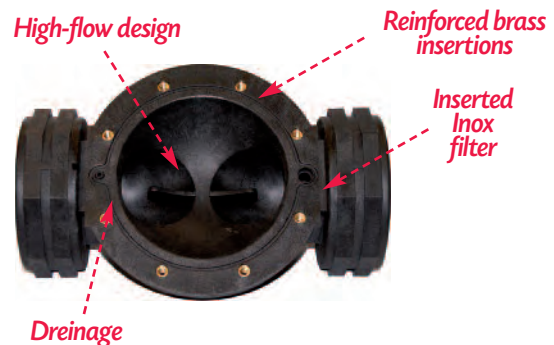
Flow regulator

Manual operation control

Stainless steel axle & spring

Reinforced diaphragm

Total encapsulated diaphragm



High-flow design

Reinforced brass insertions

Inserted Inox filter

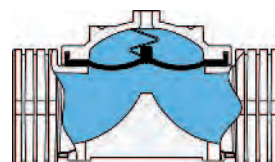
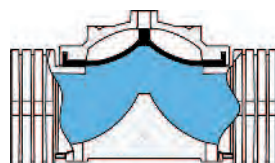
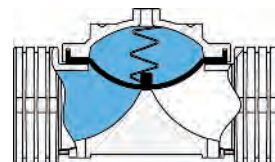
Drainage

VYR-6152

Hydraulic plastic valves HPV



Ref. 615230



VYR-6152 HYDRAULIC VALVES HPV · Hydraulic Valves

GENERAL PROPERTIES:

- Hydraulic Hi-Resistance Plastic Valves.
- Body and lid made of reinforced nylon 6.6 with 30% glass fiber.
- Reinforced EPDM diaphragm material.
- Clean permanent filter through the brass with steel mesh embedded in any assembly.
- Assembled with screws, shaft and stainless steel spring.
- MOUNTING OPTIONS SEE TABLE "VALVES".
- Working temperature between 2 and 70 degrees.
- Recommended working pressure of 1 to 10 BAR. (15-150 PSI)
- Opening and closing response of 0.7 s.
- Resistance test performed for 25,000 cycles at 15 BAR and 80°
- Flow range of 9 m³/h to 100 m³ h (39,6 - 440 GPM)
- Removable from the top to the settlement or replacement of parts.
- Meet the UNE 68-074-86 / ISO 7714.

APPLICATIONS:

- Agricultural irrigation, sports facilities, golf courses, urban and commercial areas.
- Industrial use for fluid control.
- Drip irrigation and greenhouses.

MEASUREMENTS:

- Height: 14 cm (2"), and 15 cm (3")
- Length: 23 cm (2"), and 24,5 cm (3")
- Width: 14 cm (2"), and 16 cm (3")
- Weight: 1190 g (2") and 1430 g (3")
- Units per box: 4 (2") and 2 (3")

OPTIONS:

- Complete kit with key and elbow.

MODELS:

- Ref. 615220: 2" NYLON, 3 WAY
- Ref. 615230: 3" NYLON, 3 WAY

Reference Example:

| | | | | |
|-------|-----|-------|---|----|
| 6 | 152 | 20 | B | 10 |
| ↑ | ↑ | ↑ | ↑ | ↑ |
| Model | | Assem | | PN |
| | | Size | | |



DIAPHRAMS:
 A: 1-6 BAR (drip)
 B: 1,5-10 BAR (sprinkler)

Assembly options VYR-6152



| THREAD Ø | A | B | D | E | F | G | H | I | J |
|-------------|---------------|---------------|---------------|------------------|---------------------|------------------|------------------|---------------------|------------------------|
| | BASIC Ref. | HV+HP Ref. | HV+SO Ref. | HV+HP+SO Ref. | HV+HP+SO+RP Ref. | HV+HP+RP Ref. | HV+SO+RP Ref. | HV+HP+RP+SP Ref. | HV+HP+SO+RP+SP Ref. |
| 2" | 615220A | 615220B | 615220D | 615220E | 615220F | 615220G | 615220H | 615220I | 615220J |
| 3" | 615230A | 615230B | 615230D | 615230E | 615230F | 615230G | H61530H | 615230I | 615230J |

AV: Angle 90° (mark AV after reference).

HV: Hydraulic Valve.

RP: Pressure Regulator Pilot.

HP: Hydraulic accessories

(3 way-valve +records +filter +pipe+ assembl).

SP: Pressure Sustainer Pilot.

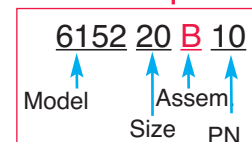
FL: Flow limiter.

FM: Flow Meter (digital output).

SO: Solenoid.

FV: Float valve.

Reference Example:



IMPORTANT NOTE: To define the Nominal Pressure (PN) of the valve mark at the end of the reference **-10 for PN-10, and a -06 for a PN-6**. In this way the valve will be mounted with the membrane and spring determined for that working pressure. If not defined, PN-10 will be sent as standard.

CONSULT OUR VALVE CATALOG FOR FURTHER TECHNICAL INFORMATION AND MEASURES AVAILABLE.

NOTE: All assembled solenoid valves include the filter installation, metal fittings (plast on demand), microtube and if the solenoid is included, the 24 Vac model will be used. if the voltage is not specified.

VYR-6152 CONNECTIONS & ADAPTERS · Hydraulic valves

GENERAL PROPERTIES:

- Adapters for plastic hydraulic valves.
- Made of PVC and PE.
- Reinforced flanges with metal ring.
- System for PE thermo-sealed.

MODELS:

Ref. 615280: Nipple 2" - VITAULIC

Ref. 615281: Nipple 3" - VITAULIC

Ref. 615252: Nipple 2"

Ref. 615253: Nipple 3"

Ref. 615254: Nipple 4"

Ref. 615260: Nipple 2" for glued PVC Ø 50

Ref. 615261: Nipple 3" for glued PVC Ø 75

Ref. 615270: Adapter 3" M for FLANGE Ø 75

Ref. 615271: Adapter 4" M for FLANGE Ø 100

Ref. 615290: Thread adapter 3" M for PE-THERMO

Ref. 615291: Thread adapter 4" M for PE-THERMO



VYR-6154

Hydraulic Plastic Valves HMPV



BASIC VALVE4"



+ THREAD H



+ FLANGED



+ PVC GLUED



+ SLOTED

VYR-6154 · 4" Modular Hydraulic Valve

GENERAL PROPERTIES:

- Special male thread connection to connect to different types of adapters: flange, thread, groove, glue pvc, PE elect.-fusion.
- High flow linear design.
- Made of polyamide with fiberglass and with additives for the protection of UV radiation.
- Chamber with natural rubber diaphragm reinforced with nylon.
- Stainless steel spring.
- Available in **PN-4** and **PN-10**.

TECHNICAL SPECIFICATIONS:

- Measures: 4" (DN 100)
- Flow: 20 - 170 m³ / h. (88 - 748 GPM)
- Working pressure: 0,5 - 4 BAR or 1 - 10 BAR
7 PSI - 58 PSI or 15 PSI - 145 PSI
- Connections: BSP / NPT thread, ISO / ANSI / BS flange, Slot, PVC glue, PE electro-fusion.

APPLICATIONS:

- Agriculture, gardening and industry with a perfect modular adaptation to collectors of any kind.

OPTIONS:

- Two types of membrane spring low or high pressure according to the needs of the customer (**PN-4** or **PN-10**).
- On demand with ON-OFF-AUTO hydraulic opening, regulating pilots and pressure holders, solenoid, etc.

MODELS:

Ref. 615400: HV 4" PN-4 with BASIC thread.

Ref. 615401: HV 4" PN-4 with FLANGE couplers.

Ref. 615402: HV 4" PN-4 with FEMALE THREAD couplers.

Ref. 615403: HV 4" PN-4 with SLOT couplers.

Ref. 615404: HV 4" PN-4 with PVC GLUE couplers.

Ref. 615405: HV 4" PN-4 with PE ELECT.-WELDING couplers.

Ref. 061541: Flange adapter + Flange 4" (1 piece).

Ref. 061542: Female Thread adapter 4" H (1 piece).

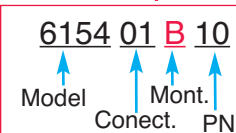
Ref. 061543: Slot adapter 4" (1 piece).

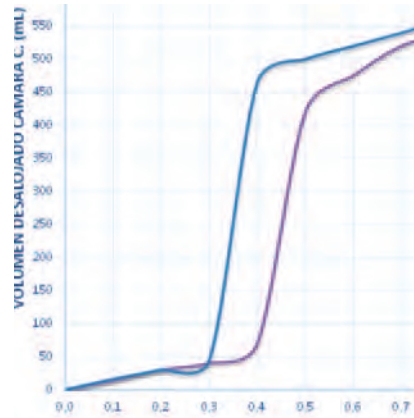
Ref. 061544: PVC adapter for glue 4" (1 piece).

Ref. 061545: Electro-Welding PE 4" (1 piece).

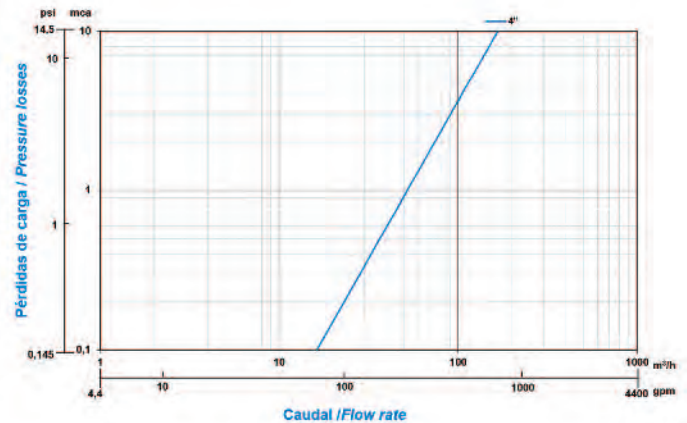
Consult the table of mounting options or contact our sales representatives to configure the valves according to your needs: with solenoid, reducer and/or pressure sustainer, quick relief, manual opening, flow limiting, etc ...

Reference Example:



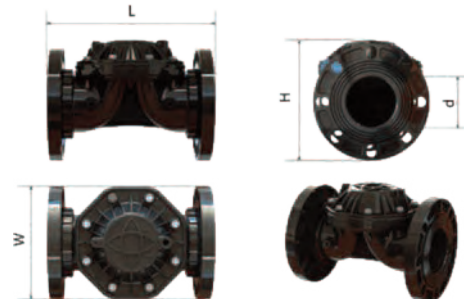


PRESSURE LOST CHART



MEASUREMENTS VYR-6154

| CONNECT. | LENGHT (L) | | HEIGHT (H) | | WIDTH (W) | | INT. DIAM. (Ø) | | WEIGHT | KV | |
|----------|------------|-------|------------|-------|-----------|-------|----------------|-------|--------|-----|------|
| | mm | Pulg. | mm | Pulg. | mm | Pulg. | mm | Pulg. | | Kg. | m3/H |
| FLANGE | 316 | 12.4 | 234 | 9.2 | 220 | 8.7 | 100 | 4 | 4.1 | 175 | 770 |
| THREAD | 372 | 14.6 | 189 | 7.4 | 222 | 8.3 | 100 | 4 | 3.2 | | |
| SLOT | 372 | 14.6 | 189 | 7.4 | 222 | 8.3 | 100 | 4 | 3.2 | | |
| PVC | 372 | 372 | 372 | 372 | 372 | 372 | 372 | 372 | 372 | | |
| PE-W | 372 | 372 | 372 | 372 | 372 | 372 | 372 | 372 | 372 | | |



ASSEMBLY OPTIONS VYR-6154 (PN-10)

| CONNECTION | A | B | D | E | F | G | H | I | J |
|------------|---------|---------|---------|----------|-------------|----------|----------|-------------|----------------|
| | BASIC | HV+HP | HV+SO | HV+HP+SO | HV+HP+SO+RP | HV+HP+RP | HV+SO+RP | HV+HP+RP+SP | HV+HP+SO+RP+SP |
| | Ref. | Ref. | Ref. | Ref. | Ref. | Ref. | Ref. | Ref. | Ref. |
| FLANGE | 615401A | 615401B | 615401D | 615401E | 615401F | 615401G | 615401H | 615401H | 615401J |
| THREAD | 615402A | 615402B | 615402D | 615402E | 615402F | 615402G | 615402H | 615402H | 615402J |
| SLOT | 615403A | 615403B | 615403D | 615403E | 615403F | 615403G | 615403H | 615403H | 615403J |
| PVC | 615404A | 615404B | 615404D | 615404E | 615404F | 615404G | 615404H | 615404H | 615404J |
| PE-W | 615405A | 615405B | 615405D | 615405E | 615405F | 615405G | 615405H | 615405H | 615405J |

AV: Angle 90° (mark AV after reference).

HV: Hydraulic Valve.

RP: Pressure Regulator Pilot.

HP: Hydraulic accessories

(3 way-valve +records +filter +pipe+ assembl).

SP: Pressure Sustainer Pilot.

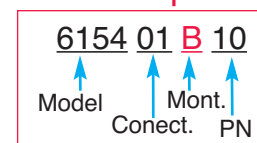
FL: Flow limiter.

FM: Flow Meter (digital output).

SO: Solenoid.

FV: Float valve.

Reference Example:



IMPORTANT NOTE: To define the Nominal Pressure (PN) of the valve mark at the end of the reference **-10 for PN-10**, a **-06 for PN-6** and a **-04 for a PN-4**. In this way the valve will be mounted with the membrane and spring determined for that working pressure. If not defined, PN-6 and metal fittings will be sent as standard.

VYR-6110

Threaded Hydraulic Valves



VYR-6110 · Metal Threaded Hydraulic Valves

GENERAL PROPERTIES:

- Metal hydraulic valves with total flow, with in line or elbow design.
- Body and cap cover made of high quality cast iron.
- EPDM diaphragms reinforced with fabric.
- Always clean because of its brass filter with steel mesh built into all assemblies.
- Assembled with screws and stainless steel spring.
- Working temperature between 2° and 80°
- Recommended working pressure of 1 to 16 BAR (14-230 PSI)
- Opening and closing response time of 0.7 seconds.
- Resistance test carried out for 25,000 cycles at 15 bar and 80°
- Flow range between 15 and 140 m3/H. (66 - 616 GPM).
- Removable from the upper section for repair or replacement of parts.
- Complies with standard UNE 68-074-86/ISO 7714.

MODELS:

- Ref. 6110025: 1"
- Ref. 6110040: 1 1/2"
- Ref. 6110050: 2"
- Ref. 6110050C: 2" elbow
- Ref. 6110063: 2 1/2"
- Ref. 6110063C: 2 1/2" elbow
- Ref. 6110070: 3" (3X2X3)
- Ref. 6110075: 3" (3X3X3)
- Ref. 6110075C: 3" ELBOW (3X3X3)
- Ref. 6110079C: 3" ELBOW (3X4X3)

Configuration options VYR-6110

| | Ø | A | B | D | E | F | G | H | I | J |
|--------|-----------------|---------------|---------------|---------------|------------------|---------------------|------------------|------------------|---------------------|------------------------|
| | | BASIC Ref. | HV+HP Ref. | HV+SO Ref. | HV+HP+SO Ref. | HV+HP+SO+RP Ref. | HV+HP+RP Ref. | HV+SO+RP Ref. | HV+HP+RP+SP Ref. | HV+HP+SO+RP+SP Ref. |
| THREAD | 1" | 6110025A | 6110025B | 6110025D | 6110025E | 6110025F | 6110025G | 6110025H | 6110025I | 6110025J |
| | 1" 1/2 | 6110040A | 6110040B | 6110040D | 6110040E | 6110040F | 6110040G | 6110040H | 6110040I | 6110040J |
| | 2" | 6110050A | 6110050B | 6110050D | 6110050E | 6110050F | 6110050G | 6110050H | 6110050I | 6110050J |
| | 2" C | 6110050AC | 6110050BC | 6110050DC | 6110050CE | 6110050FC | 6110050GC | 6110050HC | 6110050IC | 6110050JC |
| | 2" 1/2 | 6110063A | 6110063B | 6110063D | 6110063E | 6110063F | 6110063G | 6110063H | 6110063I | 6110063J |
| | 2" 1/2 C | 6110063AC | 6110063BC | 6110063DC | 6110063CE | 6110063FC | 6110063GC | 6110063HC | 6110063IC | 6110063JC |
| | 3" (3"x2"x3") | 6110070A | 6110070B | 6110070D | 6110070E | 6110070F | 6110070G | 6110070H | 6110070I | 6110070J |
| | 3" (3"x3"x3") | 6110075A | 6110075B | 6110075D | 6110075E | 6110075F | 6110075G | 6110075H | 6110075I | 6110075J |
| | 3" C (3"x3"x3") | 6110075AC | 6110075BC | 6110075DC | 6110075CE | 6110075FC | 6110075GC | 6110075HC | 6110075IC | 6110075JC |
| | 3" C (3"x4"x3") | 6110079AC | 6110079BC | 6110079DC | 6110079CE | 6110079FC | 6110079GC | 6110079HC | 6110079IC | 6110079JC |

AV: Angle 90° (mark AV after reference).

HV: Hydraulic Valve.

RP: Pressure Regulator Pilot.

HP: Hydraulic accessories (3 way-valve +racords +filter +pipe+ assembl).

SP: Pressure Sustainer Pilot.

FL: Flow limiter.

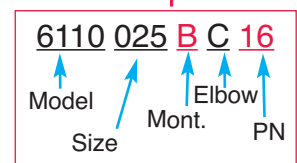
FM: Flow Meter (digital output).

SO: Solenoid.

FV: Float valve.

C: Valv. 90 angle (mark C after the reference).

Reference Example:



IMPORTANT NOTE: To define the Nominal Pressure (PN) of the valve mark at the end of the reference -16 for PN-16 a -06 for PN-6 and a -04 for a PN-4. In this way the valve will be mounted with the membrane and spring determined for that working pressure. If not defined, PN-6 and metal fittings will be sent as standard.

BROWSE OUR VALVE CATALOG FOR MORE TECHNICAL INFORMATION AND MEASURES AVAILABLE

NOTE: All valves includes mounted filter, installation, fittings, micropipe and solenoid of 24 Vac model will be served if not other specified voltage.



VYR-6115

Slotted Hydraulic Valves



VYR-6115 · Metal Slotted Hydraulic Valves

GENERAL PROPERTIES:

- Metal hydraulic valves with total flow, with in line or elbow design.
- Body and cover made of high quality cast iron.
- EPDM diaphragm reinforced with fabric.
- Permanent cleaning thanks to the brass filter with steel mesh incorporated in any assembly.
- Assembled with screws and stainless steel spring.
- Working temperature between 2° and 80°
- Recommended working pressure from 1 to 16 BAR (14-230 PSI)
- Opening and closing response of 0.7 s.
- Resistance test performed for 25,000 cycles at 15 BAR and 80°
- Flow range between 77 and 385 m3/H. (339 - 1.694 GPM).
- Removable from the top for maintenance.
- Comply with the UNE 68-074-86 / ISO 7714 standard.

MODELS:

- Ref. 6115050: DN-50 (2")
- Ref. 6115050C: DN-50 ELBOW (2")
- Ref. 6115080: DN-80 (3")
- Ref. 6115100: DN-100 (4")
- Ref. 6115100C: DN-100 ELBOW (4")
- Ref. 6115150: DN-150 (6")
- Ref. 6115150C: DN-150 ELBOW (6")

Configuration options VYR-6115

| | Ø | A | B | D | E | F | G | H | I | J |
|---------|------|-----------|-----------|-----------|-----------|-------------|-----------|-----------|-------------|----------------|
| | | BASIC | HV+HP | HV+SO | HV+HP+SO | HV+HP+SO+RP | HV+HP+RP | HV+SO+RP | HV+HP+RP+SP | HV+HP+SO+RP+SP |
| | | Ref. | Ref. | Ref. | Ref. | Ref. | Ref. | Ref. | Ref. | Ref. |
| SLOTTED | 2" | 6115050A | 6115050B | 6115050D | 6115050E | 6115050F | 6115050G | 6115050H | 6115050I | 6115050J |
| | 2" C | 6115050AC | 6115050BC | 6115050DC | 6115050EC | 6115050FC | 6115050GC | 6115050HC | 6115050IC | 6115050JC |
| | 3" | 6115080A | 6115080B | 6115080D | 6115080E | 6115080F | 6115080G | 6115080H | 6115080I | 6115080J |
| | 4" | 6115100A | 6115100B | 6115100D | 6115100E | 6115100F | 6115100G | 6115100H | 6115100I | 6115100J |
| | 4" C | 6115100AC | 6115100BC | 6115100DC | 6115100EC | 6115100FC | 6115100GC | 6115100HC | 6115100IC | 6115100JC |
| | 6" | 6115150A | 6115150B | 6115150D | 6115150E | 6115150F | 6115150G | 6115150H | 6115150I | 6115150J |
| | 6" C | 6115150AC | 6115150BC | 6115150DC | 6115150EC | 6115150FC | 6115150GC | 6115150HC | 6115150IC | 6115150JC |

AV: Angle 90° (mark AV after reference).

HV: Hydraulic Valve.

RP: Pressure Regulator Pilot.

HP: Hydraulic accessories

(3 way-valve +racords +filter +pipe+ assembl).

SP: Pressure Sustainer Pilot.

FL: Flow limiter.

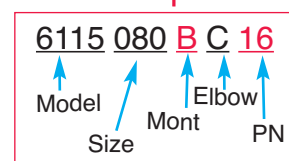
FM: Flow Meter (digital output).

SO: Solenoid.

FV: Float valve.

C: Valv. 90 angle (mark C after the reference).

Reference Example:



IMPORTANT NOTE: To define the Nominal Pressure (PN) of the valve mark at the end of the reference -16 for PN-16, a -06 for PN-6 and a -04 for a PN-4. In this way the valve will be mounted with the membrane and spring determined for that working pressure. If not defined, PN-6 and metal fittings will be sent as standard.

BROWSE OUR VALVE CATALOG FOR MORE TECHNICAL INFORMATION AND MEASURES AVAILABLE

NOTE: All valves includes mounted filter, installation, fittings, micropipe and solenoid of 24 Vac model will be served if not other specified voltage.

VYR-6111

Flanged Hydraulic Valves



VYR-6111 · Metal Flanged Hydraulic Valves

GENERAL PROPERTIES:

- Body and cover made of high quality cast iron.
- EPDM diaphragms reinforced with fabric.
- Always clean because of its brass filter with steel mesh built into all assemblies.
- Assembled with screws and stainless steel spring.
- Working temperature between 2° and 80°
- Recommended working pressure of 1 to 16 BAR (14-230 PSI)
- Opening and closing response time of 0.7 seconds.
- Resistance test carried out for 25,000 cycles at 15 bar and 80°
- Flow range between 78 and 880 m³/H. (343 - 3.872 GPM).
- Removable from the upper section for repair or replacement of parts.
- Complies with quality standard UNE 68-074-86/ISO 7714.

MODELS:

- Ref. 6111050: DN-50
- Ref. 6111080: DN-80 (3"X3"X3")
- Ref. 6114089: DN-80 (3"X4"X3")
- Ref. 6111080C: DN-80 ELBOW
- Ref. 6111100: DN-100
- Ref. 6111100C: DN-100 ELBOW
- Ref. 6111125: DN-125
- Ref. 6111150: DN-150
- Ref. 6111200: DN-200 (8"X8"X8") PN6=8 holes /PN16=12 holes
- Ref. 6111300: DN-300

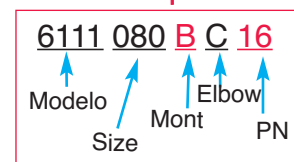
Configuration options VYR-6111

| | Ø | A | B | D | E | F | G | H | I | J |
|---------|------------------|-----------|-----------|-----------|-----------|-------------|-----------|-----------|-------------|----------------|
| | | BASIC | HV+HP | HV+SO | HV+HP+SO | HV+HP+SO+RP | HV+HP+RP | HV+SO+RP | HV+HP+RP+SP | HV+HP+SO+RP+SP |
| | | Ref. | Ref. | Ref. | Ref. | Ref. | Ref. | Ref. | Ref. | Ref. |
| FLANGED | DN50 (2") | 6111050A | 6111050B | 6111050D | 6111050E | 6111050F | 6111050G | 6111050H | 6111050I | 6111050J |
| | DN80 (3") | 6111080A | 6111080B | 6111080D | 6111080E | 6111080F | 6111080G | 6111080H | 6111080I | 6111080J |
| | DN80-C (3") | 6111080AC | 6111080BC | 6111080DC | 6111080EC | 6111080FC | 6111080GC | 6111080HC | 6111080IC | 6111080JC |
| | DN100 (4") | 6111100A | 6111100B | 6111100D | 6111100E | 6111100F | 6111100G | 6111100H | 6111100I | 6111100J |
| | DN100-C (4") | 6111100AC | 6111100BC | 6111100DC | 6111100EC | 6111100FC | 6111100GC | 6111100HC | 6111100IC | 6111100JC |
| | DN125 (5") | 6111125A | 6111125B | 6111125D | 6111125E | 6111125F | 6111125G | 6111125H | 6111125I | 6111125J |
| | DN-150 (6") | 6111150A | 6111150B | 6111150D | 6111150E | 6111150F | 6111150G | 6111150H | 6111150I | 6111150J |
| | DN200 (8"x8"x8") | 6111200A | 6111200B | 6111200D | 6111200E | 6111200F | 6111200G | 6111200H | 6111200I | 6111200J |
| | DN300 (12") | 6111300A | 6111300B | 6111300D | 6111300E | 6111300F | 6111300G | 6111300H | 6111300I | 6111300J |

- AV: Angle 90° (mark AV after reference).
- HV: Hydraulic Valve.
- RP: Pressure Regulator Pilot.
- HP: Hydraulic accessories (3 way-valve +records +filter +pipe+ assembl).
- SP: Pressure Sustainer Pilot.

- FL: Flow limiter.
- FM: Flow Meter (digital output).
- SO: Solenoid.
- FV: Float valve.
- C: Valv. 90 angle (mark C after the reference).

Reference Example:



IMPORTANT NOTE: To define the Nominal Pressure (PN) of the valve mark at the end of the reference -16 for PN-16, a -06 for PN-6 and a -04 for a PN-4. In this way the valve will be mounted with the membrane and spring determined for that working pressure. If not defined, PN-6 and metal fittings will be sent as standard.

BROWSE OUR VALVE CATALOG FOR MORE TECHNICAL INFORMATION AND MEASURES AVAILABLE

NOTE: All valves includes mounted filter, installation, fittings, micropipe and solenoid of 24 Vac model will be served if not other specified voltage.

VYR-6112 DB

Double Body Hydraulic Valves



VYR-6112 · Double Body Metal Hydraulic Valves

GENERAL PROPERTIES:

- Metal hydraulic valves with total flow, in line and in elbow design.
- Double Body and 2 tap covers made of high quality cast iron.
- EPDM diaphragm reinforced with fabric.
- Permanent cleaning thanks to the brass filter with steel mesh incorporated in any assembly.
- Assembled with screws and stainless steel spring.
- Working temperature between 2° and 80°
- Recommended working pressure from 1 to 16 BAR (14-230 PSI)
- Opening and closing response of 0.7 s.

- Resistance test performed for 25,000 cycles at 15 BAR and 80°
- Flow range between 85 and 965 m³/H. (374 - 4.246 GPM).
- Removable from the top for maintenance.
- Comply with the UNE 68-074-86 / ISO 7714 standard.

MODELS:

- Ref. 6112125: DN-125 DOUBLE BODY
Ref. 6112250: DN-250 DOUBLE BODY

Configuration options VYR-6112 DB

| | | A | B | D | E | F | G | H | I | J |
|------------------------|----------------|----------|----------|----------|----------|-------------|----------|----------|-------------|----------------|
| | Ø | BASIC | HV+HP | HV+SO | HV+HP+SO | HV+HP+SO+RP | HV+HP+RP | HV+SO+RP | HV+HP+RP+SP | HV+HP+SO+RP+SP |
| | | Ref. | Ref. | Ref. | Ref. | Ref. | Ref. | Ref. | Ref. | Ref. |
| FLANGED Double Body | DN125-DB (5") | 6112125A | 6112125B | 6112125D | 6112125E | 6112125F | 6112125G | 6112125H | 6112125I | 6112125J |
| | DN250-DB (10") | 6112250A | 6112250B | 6112250D | 6112250E | 6112250F | 6112250G | 6112250H | 6112250I | 6112250J |

HV: Hydraulic Valve.

RP: Pressure Regulator Pilot.

HP: Hydraulic Pilot (3-way valve + racord + filter + tube).

SP: Pilot Pressure Holder.

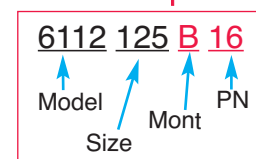
FL: Flow Limiter Disk.

FM: Flowmeter Counter Heart Rate Monitor.

SO: Solenoid.

FV: Float Valve.

Reference Example



IMPORTANT NOTE: To define the Nominal Pressure (PN) of the valve mark at the end of the reference -16 for PN-16, a-06 for PN-6 and a -04 for a PN-4. In this way the valve will be mounted with the membrane and spring determined for that working pressure. If not defined, PN-6 and metal fittings will be sent as standard.

BROWSE OUR VALVE CATALOG FOR MORE TECHNICAL INFORMATION AND MEASURES AVAILABLE

NOTE: All valves includes mounted filter, installation, fittings, micropipe and solenoid of 24 Vac model will be served if not other specified voltage.

Other assembly options...

B



Manual Valve ON/OFF

G



Press. Reducc. Valve

H



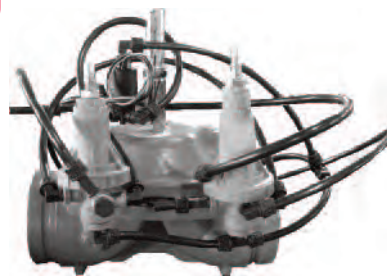
Press. Reducc. Valve w/sol

K



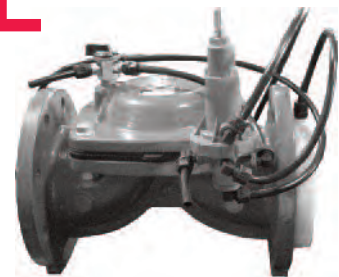
Press. Sustain. Valve

J



Press. Reducc. + Sustain Val. + Sol.

L



Flow Limit. Valve

P



Level Control Valve

M

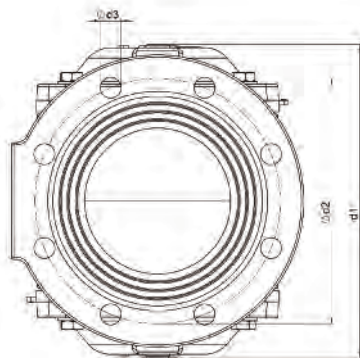


Sol- Valve ON/OFF w/Sol. + Relay

V



Press. Relieve Valve

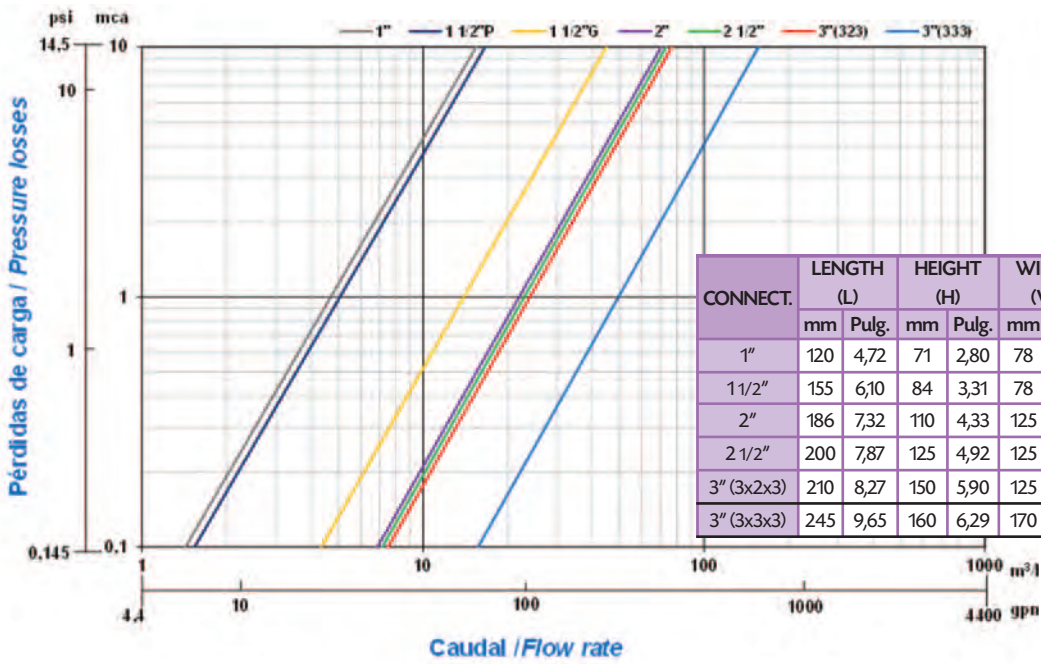


FLANGE DIMENSIONS ISO 7005-2

| CONNECTION | Flange Diameter | | Diameter from center of holes (d2) | | Diameter of holes (d3) | | CONNECTION | HOLES |
|--------------|-----------------|-------|------------------------------------|-------|------------------------|-------|-------------------|--------|
| | mm | Pulg. | mm | Pulg. | mm | Pulg. | | |
| DN-50 (2") | 165 | 6,50 | 125 | 4,92 | 19 | 0,75 | FLANGE ISO 7005-2 | 8 |
| DN-80 (3") | 200 | 7,87 | 160 | 6,30 | 18 | 0,71 | | 8 |
| DN-100 (4") | 220 | 8,66 | 180 | 7,08 | 18 | 0,71 | | 8 |
| DN-125 (5") | 250 | 9,84 | 210 | 8,27 | 18 | 0,71 | | 8 |
| DN-150 (6") | 285 | 11,22 | 240 | 9,45 | 22 | 0,87 | | 8 |
| DN-200 (8") | 340 | 13,85 | 295 | 11,61 | 22 | 0,87 | | 8 / 12 |
| DN-250 (10") | 405 | 15,94 | 355 | 13,98 | 25 | 0,98 | | 12 |

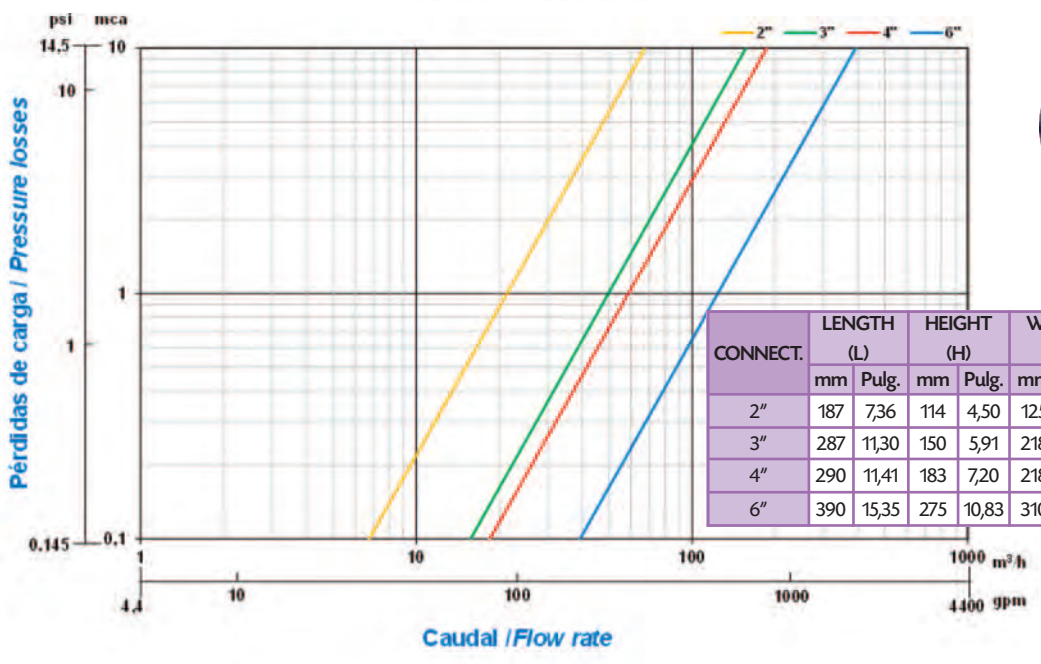


THREAD IN-LINE



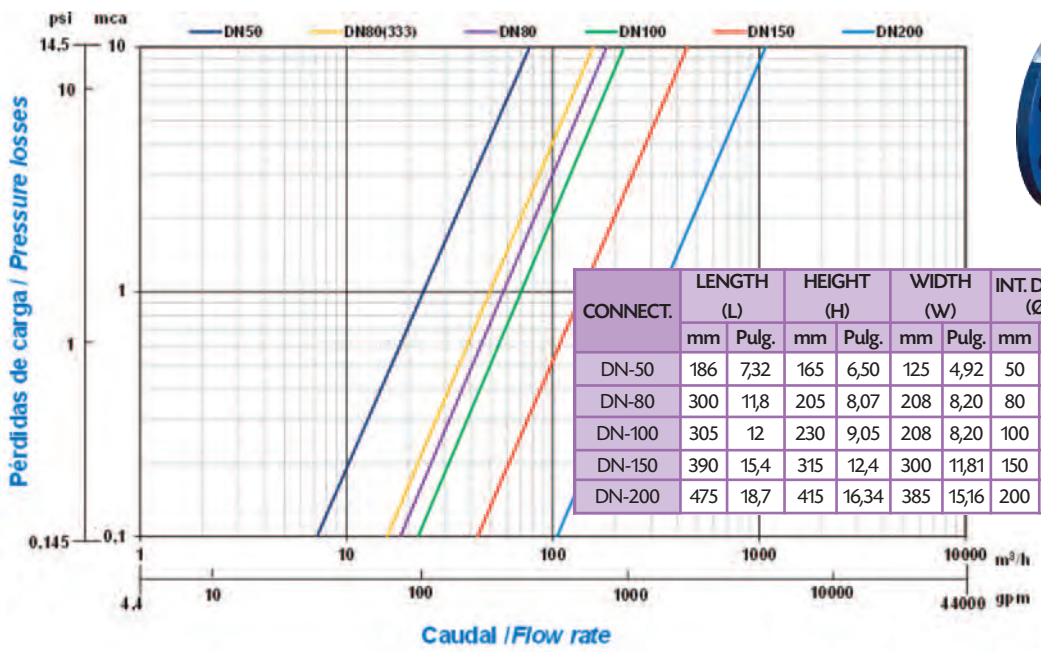
| CONNECT. | LENGTH (L) | | HEIGHT (H) | | WIDTH (W) | | INT. DIAM. (Ø) | | WEIGHT (Kg.) | KV | |
|------------|------------|-------|------------|-------|-----------|-------|----------------|--------|--------------|------|-------|
| | mm | Pulg. | mm | Pulg. | mm | Pulg. | mm | Pulg. | | m3/H | GPM. |
| 1" | 120 | 4,72 | 71 | 2,80 | 78 | 3,07 | .. | 1" | 1,2 | 16 | 70,5 |
| 1 1/2" | 155 | 6,10 | 84 | 3,31 | 78 | 3,07 | .. | 1 1/2" | 1,6 | 17 | 74,9 |
| 2" | 186 | 7,32 | 110 | 4,33 | 125 | 4,92 | .. | 2" | 4,4 | 73 | 321,4 |
| 2 1/2" | 200 | 7,87 | 125 | 4,92 | 125 | 4,92 | .. | 2 1/2" | 5,5 | 76 | 334,6 |
| 3" (3x2x3) | 210 | 8,27 | 150 | 5,90 | 125 | 4,92 | .. | 3" | 6,3 | 73 | 321,5 |
| 3" (3x3x3) | 245 | 9,65 | 160 | 6,29 | 170 | 6,36 | .. | 3" | 9,8 | 140 | 616 |

SLOT IN-LINE



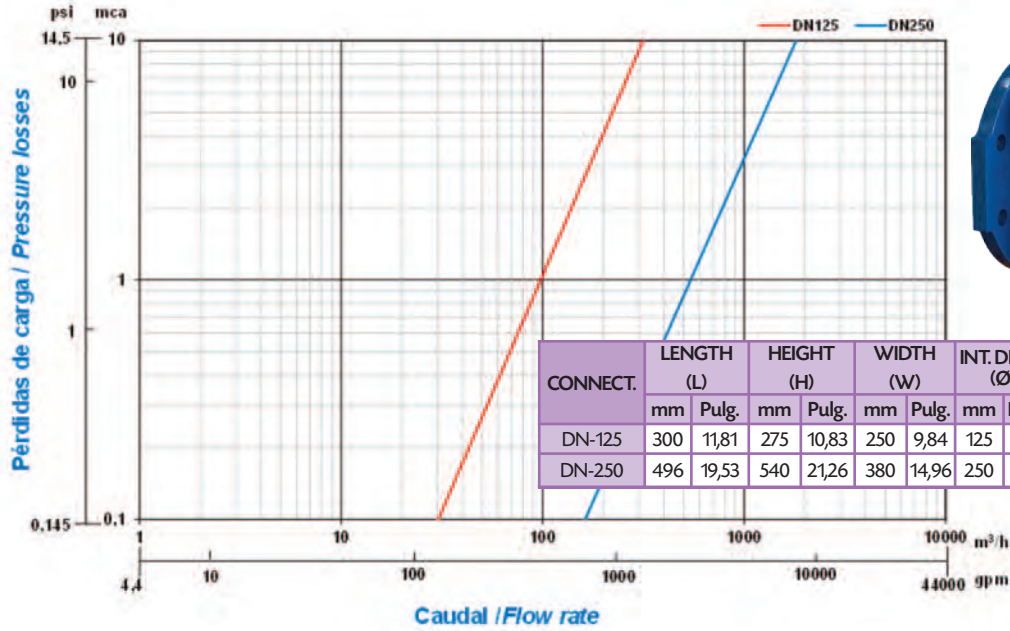
| CONNECT. | LENGTH (L) | | HEIGHT (H) | | WIDTH (W) | | INT. DIAM. (Ø) | | WEIGHT (Kg.) | KV | |
|----------|------------|-------|------------|-------|-----------|-------|----------------|-------|--------------|------|------|
| | mm | Pulg. | mm | Pulg. | mm | Pulg. | mm | Pulg. | | m3/H | GPM. |
| 2" | 187 | 7,36 | 114 | 4,50 | 125 | 4,92 | 44,2 | 1,74 | 3,8 | 77 | 339 |
| 3" | 287 | 11,30 | 150 | 5,91 | 218 | 8,58 | 72,5 | 2,85 | 12,3 | 157 | 691 |
| 4" | 290 | 11,41 | 183 | 7,20 | 218 | 8,58 | 97 | 3,82 | 13,1 | 206 | 906 |
| 6" | 390 | 15,35 | 275 | 10,83 | 310 | 12,20 | 145 | 5,71 | 40,9 | 385 | 1694 |

FLANGE IN-LINE

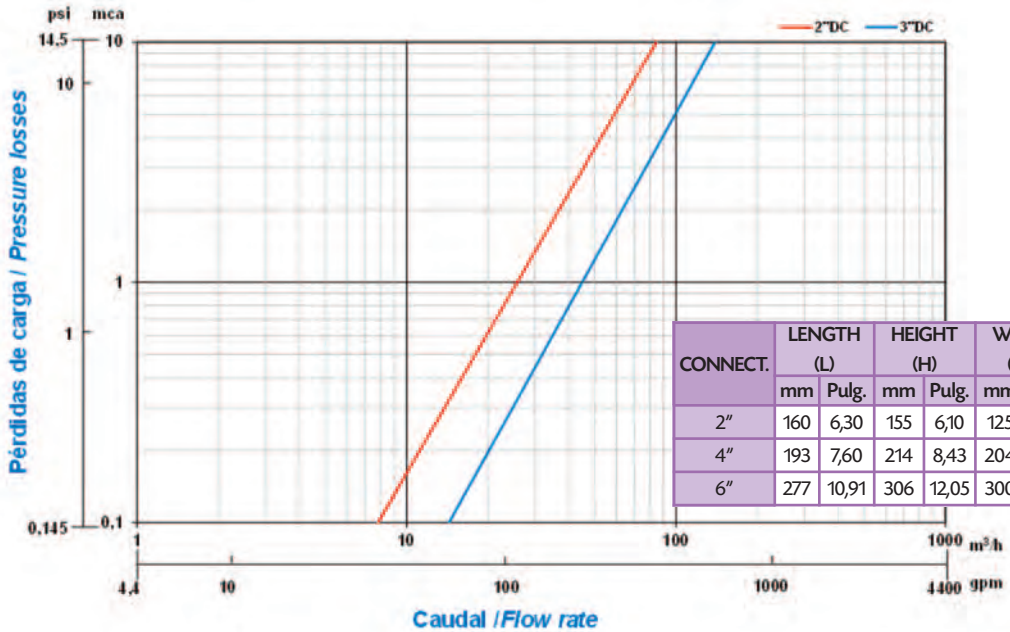


| CONNECT. | LENGTH (L) | | HEIGHT (H) | | WIDTH (W) | | INT. DIAM. (Ø) | | WEIGHT (Kg.) | KV | | HOLES |
|----------|------------|-------|------------|-------|-----------|-------|----------------|-------|--------------|------|------|--------|
| | mm | Pulg. | mm | Pulg. | mm | Pulg. | mm | Pulg. | | m3/H | GPM. | |
| DN-50 | 186 | 7,32 | 165 | 6,50 | 125 | 4,92 | 50 | 1,96 | 7,6 | 78 | 343 | 4 |
| DN-80 | 300 | 11,8 | 205 | 8,07 | 208 | 8,20 | 80 | 3,15 | 20,2 | 203 | 894 | 8 |
| DN-100 | 305 | 12 | 230 | 9,05 | 208 | 8,20 | 100 | 3,94 | 21,8 | 217 | 955 | 8 |
| DN-150 | 390 | 15,4 | 315 | 12,4 | 300 | 11,81 | 150 | 5,91 | 53,7 | 447 | 1967 | 8 |
| DN-200 | 475 | 18,7 | 415 | 16,34 | 385 | 15,16 | 200 | 7,87 | 84,4 | 880 | 3872 | 8 / 12 |

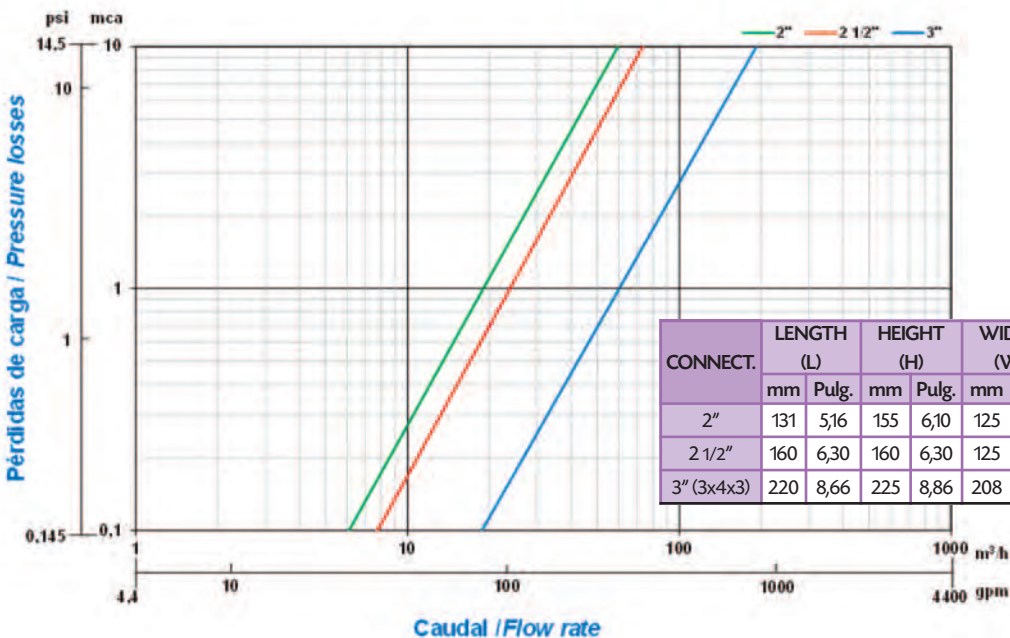
FLANGE DOUBLE-BODY



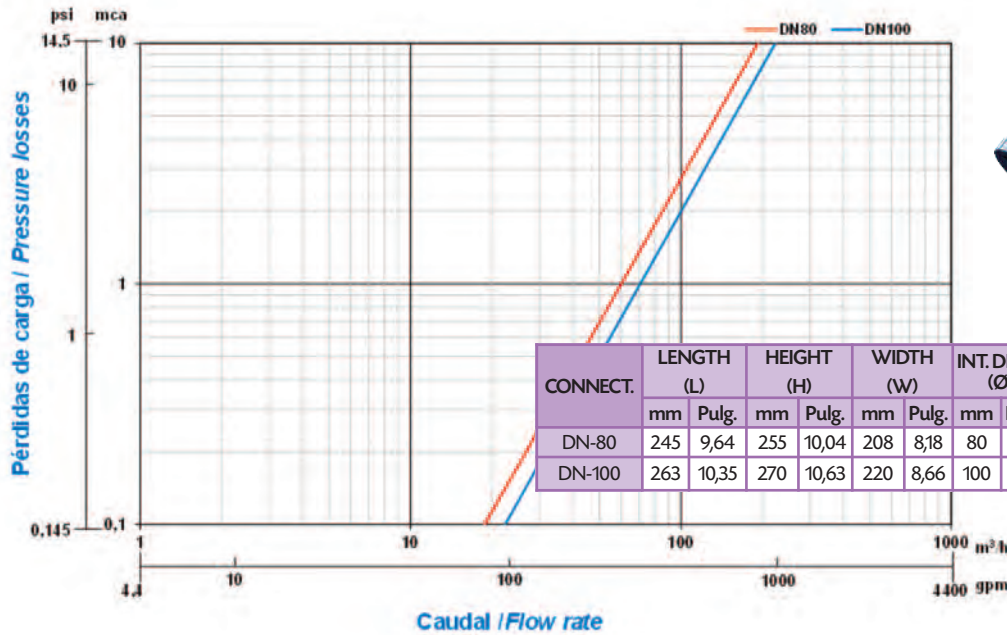
SLOT ANGLE 90°



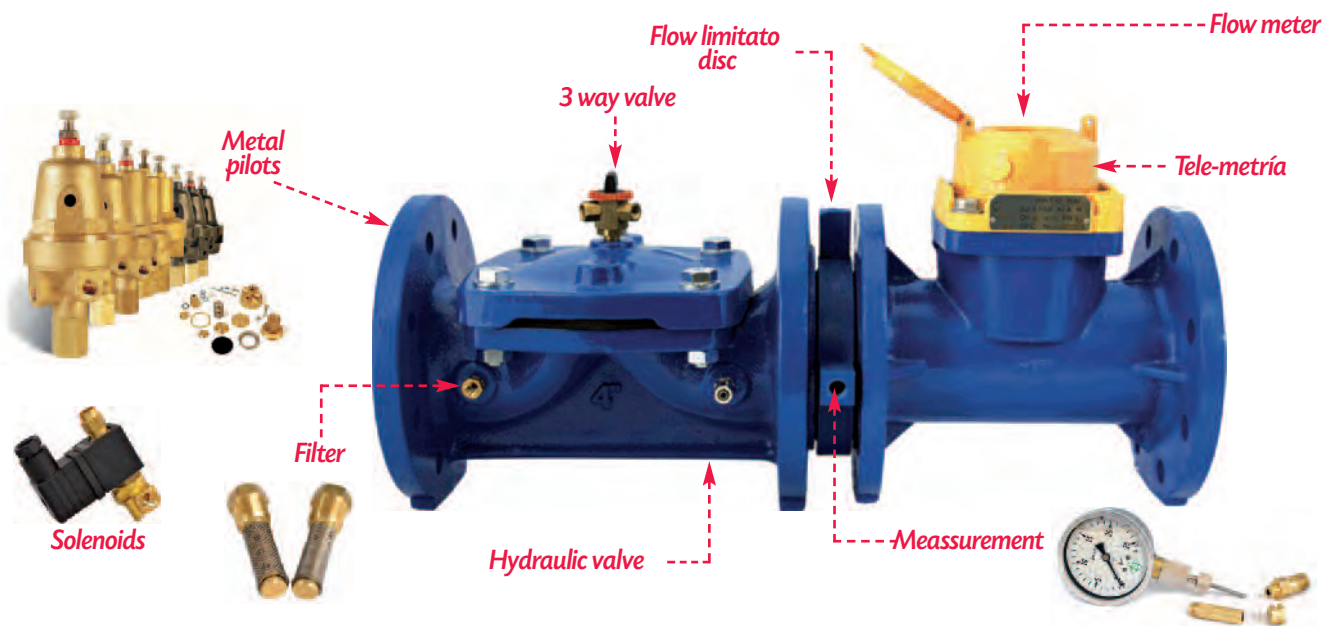
THREAD ANGLE 90°



FLANGE ANGLE 90°



VYR-6120 Hydrants



VYR-6120 HYDRANTS · Hydraulic Valves with Flow Meter and Piloting

GENERAL PROPERTIES:

- Metal hydraulic valves + Flow meter for full flow through elbows and straight sections.
- Body and cover made of high quality cast iron.
- EPDM diaphragms reinforced with fabric.
- Always clean because of its brass filter with steel mesh built into all assemblies.
- Assembled with screws and stainless steel spring.
- Working temperature between 2° and 80°
- Recommended working pressure of 1 to 16 BAR
- Opening and closing response time of 0.7 seconds.

- Resistance test carried out for 25000 cycles at 15 BAR and 80°
- Flow range between 38 and 240 l/min.
- Removable from the upper section for repair or replacement of parts.
- Complies with quality standard UNE 68-074-86/ISO 7714.

APPLICATIONS:

- Agricultural irrigation, sport installations, urban installations.
- Industrial use for fluid control
- Drip irrigation.

Assembly Options VYR-6120

| | Ø | A | B | D | E | F | G | H | I |
|--------|------------|------------------|---------------------|------------------------|---------------------------|---------------------------|------------------------------|---------------------------|------------------------------|
| | | HV+HP+CN Ref. | HV+RP+HP+CN Ref. | HV+RP+HP+ST+CN Ref. | HV+RP+HP+ST+FL+CN Ref. | HV+RP+HP+FL+CN+SO Ref. | HV+RP+HP+SP+FL+CN+SO Ref. | HV+HP+RP+CN+FL+SP Ref. | HV+HP+SO+CN+FL+RP+SP Ref. |
| THREAD | 2" | 612011 | 612012 | 612013 | 612014 | 612015 | 612016 | 612017 | 612018 |
| | 2" 1/2 | 612021 | 612022 | 612023 | 612024 | 612025 | 612026 | 612027 | 612028 |
| | 3" (3x3x3) | 612031 | 612032 | 612033 | 612034 | 612035 | 612036 | 612037 | 612038 |

| | Ø | A | B | D | E | F | G | H | I |
|--------|------------|------------------|---------------------|------------------------|---------------------------|---------------------------|------------------------------|---------------------------|------------------------------|
| | | HV+HP+CN Ref. | HV+RP+HP+CN Ref. | HV+RP+HP+ST+CN Ref. | HV+RP+HP+ST+FL+CN Ref. | HV+RP+HP+FL+CN+SO Ref. | HV+RP+HP+SP+FL+CN+SO Ref. | HV+HP+RP+CN+FL+SP Ref. | HV+HP+SO+CN+FL+RP+SP Ref. |
| SLOTED | 3" (3x3x3) | 612131 | 612132 | 612133 | 612134 | 612135 | 612136 | 612137 | 612138 |
| | 4" (4x4x4) | 612141 | 612142 | 612143 | 612144 | 612145 | 612146 | 612147 | 612148 |
| | 6" (6x6x6) | 612161 | 612162 | 612163 | 612164 | 612165 | 612166 | 612167 | 612168 |

| | Ø | A | B | D | E | F | G | H | I |
|---------|----------------|------------------|---------------------|------------------------|---------------------------|---------------------------|------------------------------|---------------------------|------------------------------|
| | | HV+HP+CN Ref. | HV+RP+HP+CN Ref. | HV+RP+HP+ST+CN Ref. | HV+RP+HP+ST+FL+CN Ref. | HV+RP+HP+FL+CN+SO Ref. | HV+RP+HP+SP+FL+CN+SO Ref. | HV+HP+RP+CN+FL+SP Ref. | HV+HP+SO+CN+FL+RP+SP Ref. |
| FLANGED | DN-50 2" | 612211 | 612212 | 612213 | 612014 | 612015 | 612016 | 612017 | 612018 |
| | DN-63 2" 1/2 | 612221 | 612222 | 612223 | 612024 | 612025 | 612026 | 612027 | 612028 |
| | DN-75 (3x3x3) | 612231 | 612232 | 612233 | 612034 | 612035 | 612036 | 612037 | 612038 |
| | DN-75 (3x3x3) | 612231 | 612232 | 612233 | 612134 | 612135 | 612136 | 612137 | 612138 |
| | DN-100 (4x4x4) | 612241 | 612242 | 612243 | 612144 | 612145 | 612146 | 612147 | 612148 |
| | DN-150 (6x6x6) | 612261 | 612262 | 612263 | 612164 | 612165 | 612166 | 612167 | 612168 |
| | DN-200 (8x8x8) | 612281 | 612282 | 612283 | 612184 | 612185 | 612186 | 612187 | 612188 |

| | Ø | A | B | D | E | F | G | H | I |
|---------------------|-----------|------------------|---------------------|------------------------|---------------------------|---------------------------|------------------------------|---------------------------|------------------------------|
| | | HV+HP+CN Ref. | HV+RP+HP+CN Ref. | HV+RP+HP+ST+CN Ref. | HV+RP+HP+ST+FL+CN Ref. | HV+RP+HP+FL+CN+SO Ref. | HV+RP+HP+SP+FL+CN+SO Ref. | HV+HP+RP+CN+FL+SP Ref. | HV+HP+SO+CN+FL+RP+SP Ref. |
| FLANGED DOUBLE BODY | DN-125 DB | 612051 | 612052 | 612053 | 612054 | 612055 | 612056 | 612057 | 612058 |
| | DN-250 DB | 612101 | 612102 | 612103 | 612104 | 612105 | 612106 | 612107 | 612108 |

AV: Angle 90° (mark AV after reference).

HV: Hydraulic Valve.

RP: Pressure Regulator Pilot.

HP: Hydraulic accessories

(3 way-valve +racords +filter +pipe+ assembl).

SP: Pressure Sustainer Pilot.

FL: Flow limiter.

FM: Flow Meter (digital output).

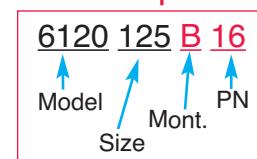
SO: Solenoid.

FV: Float valve.

C: Valv. 90° angle (mark C after the reference).

CN: Flow-meter (Woltman).

Reference Example:



IMPORTANT NOTE: To define the Nominal Pressure (PN) of the valve mark at the end of the reference **-16 for PN-16**, a -06 for PN-6 and a **-04 for a PN-4**. In this way the valve will be mounted with the membrane and spring determined for that working pressure. If not defined, PN-6 and metal fittings will be sent as standard.

BROWSE OUR VALVE CATALOG FOR MORE TECHNICAL INFORMATION AND MEASURES AVAILABLE

NOTE: All valves includes mounted filter, installation, fittings, micropipe and solenoid of 24 Vac model will be served if not other specified voltage.

VYR-6120 HYDRANTS

(HYDRAULIC VALVES + FLOW-METERS)

HYDRANTS:

VYR hydrants are made of 3 basic elements:

- A multi-jet meter (TANGENTIAL) or turbine Wolt-Mann type approved for \varnothing from 1/2" to 20".
- A hydraulic valve membrane.
- Bronze or plastic pilots for pressure regulation and sustainer.

Hydrants VYR add the experience and technology VYR S.A. in the water handling.

It can perform functions such as open, close, regulation of pressure, limiting flow rates, etc.

FUNCTIONS:

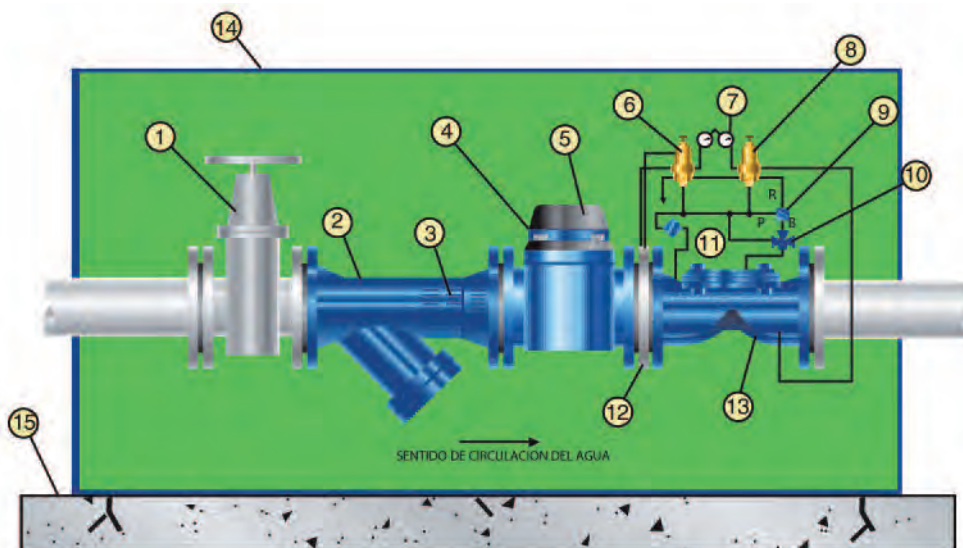
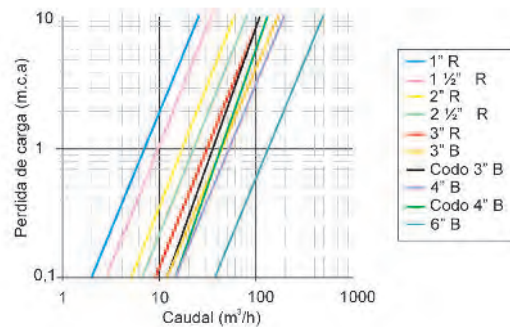
Regardless of total circulating water flow, fire hydrants may exercise:

1. Hydraulic control valve. (with val. 3 way with or without solen.)
2. Pressure reducing downstream.
3. Pressure sustaining valve downstream.
4. Flow control.
5. Excess flow.
6. Pump control valve.
7. Upstream pressure Holder with or without solenoid.
8. Level float valve.
9. Anti-drain valve.
10. Valve.
10. Quick release valve.

It allows the combination of all these functions.

All these actions are possible due to equipment that VYR SA provides a wide range of hydraulic pilot control which uses the different pressures on the network and the mechanical control imposed.

| Hydrants | Nominals Flows |
|----------|-------------------------|
| 1/2" | 1,5 m ³ /h |
| 3/4" | 2,5 m ³ /h |
| 1" | 3,5 m ³ /h |
| 1 1/4" | 5 m ³ /h |
| 1 1/2" | 10 m ³ /h |
| 2" | 25 m ³ /h |
| 3" | 60 m ³ /h |
| 4" | 100 m ³ /h |
| 6" | 250 m ³ /h |
| 8" | 400 m ³ /h |
| 10" | 600 m ³ /h |
| 12" | 1.000 m ³ /h |



- 1 Gate valve
- 2 Filter
- 3 Flow Limitor
- 4 Pulse emitter
- 5 Wotman flow meter
- 6 Limitor Pilot
- 7 Pressure gauge
- 8 Reducer Pilot
- 9 Latch solenoid
- 10 3 way manual valve
- 11 External filter
- 12 Orifice Disc
- 13 Hydraulic valve
- 14 Valve Box Cover
- 15 Valve Box Body

Flow meters

CH-100



FLOW METERS CH100-500/1000/5000 · Hydraulic flow meters

GENERAL PROPERTIES:

VYR S.A. flowmeters are classified in three groups:

- The flow-meters for irrigation **CH100-500** series belong to the type of **turnstile** counters. Its operation is based on the movement of the reel caused by the pressure of the water passing through the meter. This movement is transmitted to the register, using a magnetic coupling, thereby performing reading.
- The **CH1000** is designed for measuring high flow mainly cold water for irrigation applications. Its accuracy is higher than the 500 and 1000 class both horizontally and vertically. The basis of operation is the turn of a **WOLTMAN** helix in the flow direction. There is a proportion between the angular velocity of rotation and which drives the propeller flow.
- The **CH5000** flow-meter is a hybrid (electronic sphere) designed for measuring large volumes of cold water for commercial and industrial applications. It has a high precision metrological class according to EN 14154, with a R800 (standard version) in production. The basis of operation is the turn of a helix woltmann in the flow direction. There is a proportion between the angular velocity of rotation and which drives the propeller flow.

TANGENTIALS / MULTIPLE STREAM:

- Ref. 640099: Flow-meter 1/2" Q. max: 3 m³/h
- Ref. 640100: Flow-meter 3/4" Q. max: 5 m³/h
- Ref. 640101: Flow-meter 1" Q. max: 7 m³/h
- Ref. 640102: Flow-meter 2" Q. max: 30 m³/h
- Ref. 640103: Flow-meter 3" Q. max: 80 m³/h
- Ref. 640104: Flow-meter 4" Q. max: 120 m³/h
- Ref. 640105: Flow-meter 5" Q. max: 120 m³/h
- Ref. 640106: Flow-meter 6" Q. max: 300 m³/h
- Ref. 640108: Flow-meter 8" Q. max: 500 m³/h
- Ref. 640109: Flow-meter 10" Q. max: 800 m³/h

WOLTMAN:

- Ref. 640202: Flow-meter 2" Q. max: 30 m³/h
- Ref. 640203: Flow-meter 3" Q. max: 80 m³/h
- Ref. 640204: Flow-meter 4" Q. max: 120 m³/h
- Ref. 640205: Flow-meter 5" Q. max: 120 m³/h
- Ref. 640206: Flow-meter 6" Q. max: 300 m³/h
- Ref. 640208: Flow-meter 8" Q. max: 500 m³/h
- Ref. 640210: Flow-meter 10" Q. max: 800 m³/h

Ref. 640110: Pulse meter kit.

Ref. 640111: Pulse meter reader device.

CH-500 FLOW-METERS

Hydraulic flow meters

GENERAL PROPERTIES:

- **TANGENTIAL** Flow-meter
- Body made of cast iron GG25 counter, lined plastic resin spray.
- Degree of protection IP67.
- Internal mechanisms made of engineering plastics in combination with 18/8 stainless steel for metal parts.
- Mechanism fully removable from the meter body measurement.
- Totalizer dry polycarbonate.
- Pre-equipped for pulse generators.
- Connections flanged to PN16 (ISO 7005).

MODELS:

- Ref. 670502: Flow-meter 2"
- Ref. 670503: Flow-meter 3"
- Ref. 670504: Flow-meter 4"
- Ref. 670506: Flow-meter 6"
- Ref. 670525: Pulse electronic adapter.



CH-1000 FLOW-METERS

Hydraulic flow meters

GENERAL PROPERTIES:

- **WOLTMAN** Flow-meter. Optional inductive pulse rate monitor.
- Body cast resin coated to prevent oxidation.
- Plastic Sphere with 360° rotation for easy reading.
- Pre-installation for bidirectional pulse emitter.
- Range of sizes from 40 to 300 mm
- PN16 flanged connections.
- For use with cold water (maximum 50°C).



MODELS:

- Ref. 671002: Flow-meter 2"
- Ref. 671003: Flow-meter 3"
- Ref. 671004: Flow-meter 4"
- Ref. 671006: Flow-meter 6"
- Ref. 671008: Flow-meter 8"
- Ref. 671010: Flow-meter 10"
- Ref. 671025: Pulse electronic adapter.



CH-5000 FLOW-METERS

Hydraulic flow meters

GENERAL PROPERTIES:

- Digital Flow-meter **WOLTMAN** with instant measurement.
- Integrated Pulse Output.
- Body made of cast iron.
- High degree of protection IP68 moisture and damage.
- Inductive transmission. Adjustable dry dial 360°
- 7 digit totalizer m³. Integrated output pulses.
- Provides statistical parameters, consumption data UNE version. Flanges according to ISO7005.
- For use with cold water.

MODELS:

- Ref. 675002: Flow-meter 2" with integrated pulse wire.
- Ref. 675003: Flow-meter 3" with integrated pulse wire.
- Ref. 675004: Flow-meter 4" with integrated pulse wire.
- Ref. 675006: Flow-meter 6" with integrated pulse wire.



Electro-Magnetic Flow Meter EM-700



FLOW METER EM-700 · Electro-Magnetic Flow Meters

GENERAL PROPERTIES:

- The EM-700 electromagnetic flow meter with ABS body, together with the M500 flow transmitters, is ideal for accurately measuring the flow rate of a wide variety of conductive process liquids, including water, wastewater, effluents and selected chemical applications.
- The electromagnetic flowmeter EM-700 can be paired with solar or 240 VAC electronics, including the I500 and the M500.
- Uses the certified electromagnetic measurement method.
- Typical flow accuracy better than $\pm 0.5\%$ of indicated flow.
- No moving parts.
- Speed Range 0.1 to 10 meters / second.
- Wide range of operation.
- There is no obstruction to flow.
- Insignificant pressure loss.
- Reel or flange construction types.
- Robust construction
- Submersible to 1.5 meters of water.
- Suitable for buried service.
- Minimum requirements for straight pipe installation.
- Remote mounted electronics.
- The EM-700 has been designed for the measurement of large flows of cold water mainly for irrigation applications. Its accuracy is superior to the class 5000, both horizontally and vertically. The basis of operation is the measurement of water velocity by electro-magnetic diodes.
- Serial support for modems, RTUs and PLCs.
- Ability to "read flow now" in real time for door control functions.
- Ability to calibrate and operate flow tubes up to 1000 mm in diameter.
- Membrane keyboard without moving parts.
- Cable entry through IP68 cable gland without moving parts.
- Designed for outdoor environments.
- Individually shielded signal cable with external shielding.
- Flow rate range: 0.01 to 10 m / sec ($\pm 0.005\%$)
- Accuracy: Better than $\pm 0.05\%$ of the indicated flow, or ± 1 mm / s.
- Full scale flow: programmable.
- Low flow cutoff: programmable from 0 to 10% of the flow.
- Totalized channels: Total volumetric flow: Forward, Reverse, Peak / Out of peak, Year to date.
- Totalizing units: Liters, Kiloliters, Megalitros, Gigalitros, Imperial and American gallons, imperial mega gallons and others.
- Conversion factor of the programmable unit by the user
- Flow time units: seconds, hours, days

TECH CHARACTERISTICS M-500 :

- Uses the well proven electromagnetic measurement method.
- Improved diagnostic and alarm functions.
- Removable SD card that allows the update of the transmitter.
- Large multi-line LCD screen.
- User-configurable logging interval for flow data and diagnostic tables.
- Optional 4-20mA output.
- Digital frequency configurable by the user and pulse outputs.
- Multipoint multipoint MODBUS support.
- 3x expansion slots that allow additional IO.

MODELS EM-700 / M-500:

- Ref. 647050: Flow-Meter DN-50 Q. máx: 72 m³/h (PN-16)
- Ref. 647075: Flow-Meter DN-75 Q. máx: 180 m³/h (PN-12)
- Ref. 647100: Flow-Meter DN-100 Q. máx: 280 m³/h (PN-12)
- Ref. 647125: Flow-Meter DN-125 Q. máx: 450 m³/h (PN-12)
- Ref. 647150: Flow-Meter DN-150 Q. máx: 634 m³/h (PN-12)
- Ref. 647200: Flow-Meter DN-200 Q. máx: 1,130 m³/h (PN-12)
- Ref. 647250: Flow-Meter DN-250 Q. máx: 1,768 m³/h (PN-12)
- Ref. 647300: Flow-Meter DN-300 Q. máx: 2,545 m³/h (PN-10)
- Ref. 647375: Flow-Meter DN-375 Q. máx: 3,975 m³/h (PN-10)
- Ref. 647450: Flow-Meter DN-450 Q. máx: 4,500 m³/h (PN-10)

- Ref. 647000: Display for pulse reading and tele-control M-500

Electro-Magnetic Flow Meter

EM-800



FLOW METER EM-800 · Electro-Magnetic Flow Meters PN-16

GENERAL PROPERTIES:

- EM-800 electromagnetic flowmeters with steel body 2060 offer the strength and durability of steel with a selection of coatings resistant to chemicals or abrasives. The EM-800 flowmeters are designed for a wide range of applications including water production and distribution, wastewater monitoring and treatment, irrigation flow measurement and mining sludge.
- EM-800 steel body electromagnetic flowmeters can be paired with solar or 240 VAC electronics, including the M500.
- It uses the electromagnetic method of certified measurement.
- Typical flow accuracy better than $\pm 0.5\%$ of indicated flow.
- No moving parts.
- Wide range of operation.
- There is no obstruction to flow.
- Insignificant pressure loss.
- Liners for chemical and abrasive applications.
- Variety of types of flanges available.
- Robust construction
- Submersible to 10 meters of water.
- Suitable for buried service.
- Minimum requirements for straight pipe installation.
- Remote mounted electronics.

TECH CHARACTERISTICS M-500 :

- Uses the well proven electromagnetic measurement method.
- Improved diagnostic and alarm functions.
- Removable SD card that allows the update of the transmitter.
- Large multi-line LCD screen.
- User-configurable logging interval for flow data and diagnostic tables.
- Optional 4-20mA output.
- Digital frequency configurable by the user and pulse outputs.
- Multipoint multipoint MODBUS support.
- 3x expansion slots that allow additional IO.
- Serial support for modems, RTUs and PLCs.
- Ability to "read flow now" in real time for door control functions.
- Ability to calibrate and operate flow tubes up to 1000 mm in diameter.

- Membrane keyboard without moving parts.
- Cable entry through IP68 cable gland without moving parts.
- Designed for outdoor environments.
- Individually shielded signal cable with external shielding.
- Flow rate range: 0.01 to 10 m / sec ($\pm 0.005\%$)
- Accuracy: Better than $\pm 0.05\%$ of the indicated flow, or ± 1 mm / s.
- Full scale flow: programmable.
- Low flow cutoff: programmable from 0 to 10% of the flow.
- Totalized channels: Total volumetric flow: Forward, Reverse, Peak / Out of peak, Year to date.
- Totalizing units: Liters, Kiloliters, Megalitros, Gigalitros, Imperial and American gallons, imperial mega gallons and others.
- Conversion factor of the programmable unit by the user
- Flow time units: seconds, hours, days

MODELS:

Ref. 648050: Flow-Meter \varnothing 50 Q. máx: 72 m³/h

Ref. 648080: Flow-Meter \varnothing 80 Q. máx: 180 m³/h

Ref. 648100: Flow-Meter \varnothing 100 Q. máx: 280 m³/h

Ref. 648150: Flow-Meter \varnothing 150 Q. máx: 640 m³/h

Ref. 648200: Flow-Meter \varnothing 200 Q. máx: 1130 m³/h

Ref. 648225: Flow-Meter \varnothing 225 Q. máx: 1430 m³/h

Ref. 648250: Flow-Meter \varnothing 250 Q. máx: 1760 m³/h

Ref. 648300: Flow-Meter \varnothing 300 Q. máx: 2550 m³/h

Ref. 648350: Flow-Meter \varnothing 350 Q. máx: 3460 m³/h

Ref. 648375: Flow-Meter \varnothing 375 Q. máx: 3980 m³/h

Ref. 648400: Flow-Meter \varnothing 400 Q. máx: 4520 m³/h

Ref. 648450: Flow-Meter \varnothing 450 Q. máx: 5725 m³/h

Ref. 648500: Flow-Meter \varnothing 500 Q. máx: 7060 m³/h

Ref. 648600: Flow-Meter \varnothing 600 Q. máx: 10175 m³/h

Ref. 648700: Flow-Meter \varnothing 700 Q. máx: 13850 m³/h

Ref. 648800: Flow-Meter \varnothing 800 Q. máx: 18100 m³/h

Ref. 648900: Flow-Meter \varnothing 900 Q. máx: 22900 m³/h

Ref. 648000: Flow-Meter \varnothing 1000 Q. máx: 28275 m³/h

Ref. 647000: Display for pulse reading and tele-control M-500

VYR-6530 MANUAL SECURITY VALVES

Manual valves

GENERAL PROPERTIES:

- Body made of cast iron GG25, coated RILSAN plastic resin paint.
- Internal mechanisms made of engineering plastics in combination with 18/8 stainless steel for metal parts.
- Connections flanged to ISO 7005.

MODELS:

- Ref. 653013: Wheel gate valves, 3"
- Ref. 653014: Wheel gate valves, 4"
- Ref. 653016: Wheel gate valves, 6"
- Ref. 653018: Wheel gate valves, 8"
- Ref. 653019: Wheel gate valves, 10"
- Ref. 653023: Butterfly valves, inox-swing, 3"
- Ref. 653024: Butterfly valves, inox-swing, 4"
- Ref. 653026: Butterfly valves, inox-swing, 6"
- Ref. 653028: Butterfly valves, inox-swing, 8"
- Ref. 653029: Butterfly valves, inox-swing, 10"
- Ref. 653033: Check-valves with dual plate, 3"
- Ref. 653034: Check-valves with dual plate, 4"
- Ref. 653036: Check-valves with dual plate, 6"
- Ref. 653038: Check-valves with dual plate, 8"
- Ref. 653039: Check-valves with dual plate, 10"



VYR-6471 FLOW LIMITATOR ORIFICE DISCS

Hydraulic valve accessories

GENERAL PROPERTIES:

- Orifice discs for flow limitation made of high strength plastic.
- With 3 outlets 1/4 "H for connection to pilot regulator drivers.
- Rubber sealing for flanges built.

MODELS:

- Ref. 653043: Orifice disc of 3"
- Ref. 653044: Orifice disc of 4"
- Ref. 653046: Orifice disc of 6"
- Ref. 653048: Orifice disc of 8"
- Ref. 653049: Orifice disc of 10"



SCREW & GASKETS FOR FLANGED HYDRAULIC VALVES

Hydraulic valve accessories

MODELS:

- Ref. 633043: Rubber disc for 3" flange.
- Ref. 633044: Rubber disc for 4" flange.
- Ref. 633045: Rubber disc for 5" flange.
- Ref. 633046: Rubber disc for 6" flange.
- Ref. 633047: Rubber disc for 8" flange.
- Ref. 633048: Rubber disc for 10" flange.
- Ref. 633049: Rubber disc for 12" flange.
- Ref. 633050: Screw 8,8 - 16x70 + Ring + Nut
- Ref. 633051: Screw 8,8 - 16x80 + Ring + Nut
- Ref. 633052: Screw 8,8 - 16x90 + Ring + Nut
- Ref. 633053: Screw 8,8 - 16x100 + Ring + Nut



PETERSON VALVE & NIDDLE

Irrigation accessories

GENERALES PROPERTIES:

- Peterson Needles and Valves for gauges 1/4" BSP / NPT.
- Made of brass, stainless steel and special rubbers.
- Ideal for fast field measurements without leaving the gauge installed.
- Rotational nut for clamping needle gauge.
- Needle protection housing.
- Sealing plug safety valve.

MODELS:

Ref. 101890: Peterson 1/4" M valve.

Ref. 101897: Needle for Peterson valve with 1/4" H adapter.

Ref. 101898: Needle for Peterson valve with 1/4" H special security record adapter.



GLICERINE PRESSURE GAUGES

Irrigation accessories

GENERALES PROPERTIES:

- Glycerine pressure gauge 0-10 or 25 BAR
- Stainless steel body and stamped brass connections.

APPLICATIONS:

- Agriculture and gardening.
- Industrial uses.

MEASUREMENTS:

- Deep: 4 cm
- Width: 6+3 cm
- Weight: 240 g
- Units per box: 10

OPTIONS:

- Mounted on rear body adapter male to female 3/4" jack.
- Gauge Kit with side inlet and outlet needle nozzle pressures.

MODELS:

Ref. 408706: Mini-gauge, back inlet of 0-10 BAR

Ref. 401804: Pres. gauge with lateral inlet of 0-6 BAR

Ref. 401800: Pres. gauge with lateral inlet of 0-10 BAR

Ref. 401802: Pres. gauge with back inlet of 0-10 BAR

Ref. 401803: Pres. gauge with lateral inlet of 0-25 BAR

Ref. 401805: Fixed differential P.G. of 0-1-2 BAR

Ref. 401807: Adjustable differential P.G. of 0-10 BAR

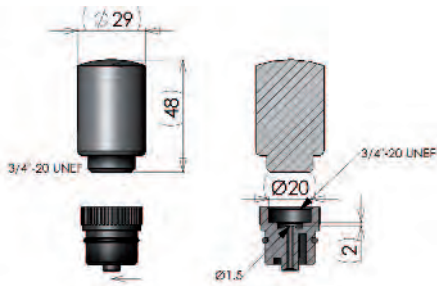
Ref. 401897: Brass needle for instantaneous pressure measurement and orific diameter measurement.

Ref. 401702: In-pipe adapter 3/4"F x 3/4"F with double outlet of 1/8"F.

Ref. 401701: In-pipe adapter 3/4"M x 3/4"F with single outlet of 1/8"F.



VYR-6200 Solenoids



Ref. 621201

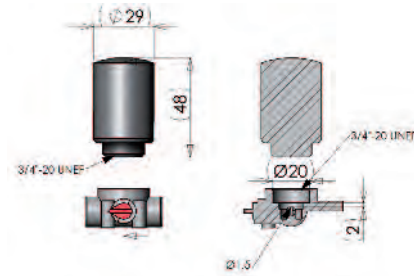


Ref. 620249



Ref. 620240

2 ways solenoids (electro-valves)



Ref. 621202



Ref. 621212



Ref. 621203

3 ways solenoids (hydraulic valves)



Ref. 620021



Ref. 620011



Ref. 620012



Ref. 620010



Ref. 620018

Solenoid base

VYR-6200 SOLENOIDS · Valve Accessories

2 WAYS SOLENOIDS (ELECTRO-VALVES):

- Ref. 620121: Solenoid 12 Vdc 2W NC 1.6 mm (Holding Current 290mA)
- Ref. 620240: Solenoid 24 Vac 2W NC 1.6 mm METAL HOUSING (Holding Current 130mA)
- Ref. 620249: Solenoid 24 Vac 2W NC 1.6 mm PLASTIC HOUSING (Holding Current 130mA)
- Ref. 620247: Solenoid 24 Vac 2W NO 1.6 mm (Holding Current 130mA)
- Ref. 620241: Solenoid 24 Vdc 2W NC 1.6 mm (Holding Current 290mA)
- Ref. 621201: Solenoid 9/12 Vdc LATCH 2W NC/NO 1.2 mm

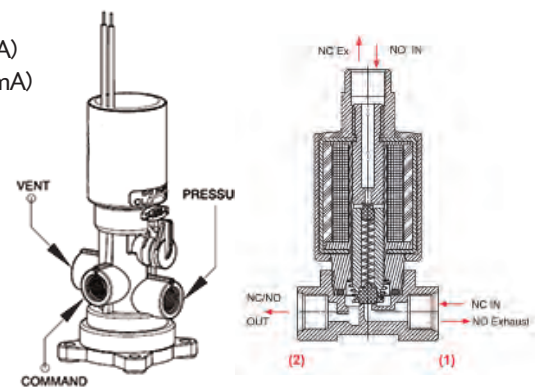
3 WAY SOLENOIDS (HYDRAULIC VALVES):

- Ref. 621212: Solenoid 6-30 Vdc LATCH 3W + HYDRAULIC PILOT NC/NO 1.6 mm
- Ref. 621202: Solenoid 6-24 Vdc LATCH 3W + BASIC PILOT NC/NO 1.4 mm
- Ref. 621203: Solenoid 12 Vdc 3W + PILOT NC/NO 1.5 mm (Holding Current 290mA)
- Ref. 621204: Solenoid 24 Vdc 3W + PILOT NO 1.6 mm (Holding Current 130mA)
- Ref. 621205: Solenoid 24 Vdc 3W + PILOT NC 1.6 mm (Holding Current 260mA)

SOLENOID ACCESSORIES:

- Ref. 620010: Universal adaptor for 2 way solenoid with ON/OFF handle.
- Ref. 620012: Universal adapter for 3 way solenoid with manual pilot.
- Ref. 620018: Universal adapter base for 3 way solenoid 1.8 mm
- Ref. 620026: Universal adapter base for 3 way solenoid 2.6 mm
- Ref. 620011: Universal brass hydraulic adapter for 3 way valve.
- Ref. 620021: Adaptater + Pressure Regulator + Preasure Gauge

• Most common Solenoids



Ref. 620021

- Working Pressure (inlet): 2 - 10 BAR
- Regulation Range: 1 - 7 BAR
- Working Temp. : +2°C / +70°C

VYR-6250 METAL BASE BRASS

Valve Accessories

GENERAL PROPERTIES:

- Solenoids 2/3 ways with metal base brass.
- Made of brass, special plastics and stainless steel.
- Max. operating 10 BAR
- Outlets 1/8"
- 2 mm water pass.

MODELS:

Ref. 625012: 12 Vdc 3W + PILOT NC/NO 2 mm BRASS BASE

Ref. 625024: 24 Vac 3W + PILOT NC/NO 2 mm BRASS BASE



Ref. 625024

VYR-6280 METAL BASE BRASS

Valve Accessories

GENERAL PROPERTIES:

- 2/3 way solenoid N/C precision metal brass base.
- Made of brass, special plastics and stainless steel.
- Max. operating 10 BAR
- Manual control at base ON-OFF-AUTO.
- Outlets 1/8"
- 2 mm water pass.

MODELS:

Ref. 628024: 24 Vac metal base 1/8" manual pilot at base.

Ref. 628012: 12 Vdc metal base 1/8" manual pilot at base.

Ref. 628009: LATCH 9 Vdc metal base 1/8" manual pilot at base (long range).

Ref. 628013: LATCH 12 Vdc metal base 1/8" manual pilot at base.

Ref. 628014: LATCH 12 Vdc metal manifold- base 1/8" manual pilot.



Ref. 628024

Ref. 628014

VYR-6270 PLASTIC HYDRAULIC RELAY

Valve Accessories

GENERAL PROPERTIES:

- Hydraulic relay N.C. or N.A. made of plastic suitable for opening and closing hydraulic solenoid valves with large volumes of chambers due to the larger bore step of this relay with respect to the most conventional solenoids.
- It also allows the actuation of hydraulic valves at certain distances in which the hydraulic signal alone is insufficient to actuate or excessive, acting as a signal amplifier. Similarly gets troubleshoot command by topographical differences in height.
- Another use of this valve will be able to remotely commandeer hydraulically reducing equipment and / or holders and hydraulic signals switch generically.
- 3-way socket 1/8" H
- Inner membrane reinforced with nylon mesh.
- Manual steering selector control ON-OFF-AUTO.

MODELS:

Ref. 627001: Plastic Hydraulic Relay with GREY spring (no painted), 0-10 m of topographic differential (STANDARD).

Ref. 627002: Plastic Hydraulic Relay with GREEN spring, 10-20 m of topographic differential (OPTIONAL).



Ref. 628024

VYR-6275 METAL HYDRAULIC RELAY

Valve Accessories

GENERAL PROPERTIES:

- Designed as hydraulic control relay N.C. or N.A. suitable for opening and closing hydraulic solenoid valves with large volumes of chambers due to the larger bore step of this relay with respect to the most conventional solenoids.
- It also allows the actuation of hydraulic valves at certain distances when the hydraulic signal alone is insufficient to actuate or excessive, acting as a signal amplifier. Similarly gets troubleshoot command by topographical differences in height.
- Another use of this valve will be able to remotely commandeer hydraulically reducing equipment and / or holders and hydraulic signals switch generically.
- Body cast in brass with female thread 1/8"
- Smart design that allows the valve to be NC or NO by changing the hydraulic connections.
- When the relay is used as NC, it is not recommended to use the yellow spring.

MODELS:

- Ref. **627501**: Metal Hydraulic Relay with YELLOW spring, 0-10 m of topographic differential (OPTIONAL).
- Ref. **627502**: Metal Hydraulic Relay with STANDARD (no painted), 4-15 m of topographic differential (STANDARD).
- Ref. **627503**: Metal Hydraulic Relay with GREEN, 8-24 m of topographic differential (OPTIONAL).
- Ref. **627504**: Metal Hydraulic Relay with RED, 9-29 m of topographic differential (OPTIONAL).
- Ref. **627505**: Metal Hydraulic Relay with BLUE, 11-38 m of topographic differential (OPTIONAL).



VYR-6830 «T» HYDRAULIC SELECTOR

Valve Accessories

GENERAL PROPERTIES:

- Stamping brass body.
- Connections of 1/8" F
- Communicates via common with the higher pressure of 2 the inputs.

MODELS:

- Ref. **683002**: T selector 1/8"



FILTER «Y» FOR HYDRAULIC CONTROL MANIFOLDS

Valve Accessories

GENERAL PROPERTIES:

- Stamping brass body.
- Female connections 3/8" (DN 10).
- Inox. mesh filter 500 microns
- PN-10
- Nitrile seals high tightness.

MODELS:

- Ref. **687002**: Brass and INOX Steel Y screen filter of 3/8"



Hydraulic pressure reducing pilots

Valve Accessories



GENERAL PROPERTIES:

The wide range of pilots for pressure regulators allow us to tailor solutions to the needs that arise in the facilities of our customers.

Brass Metal Pilots VYR® are specially designed to work at high pressures. They are highly reliable and easy to use. The adjustment is adjustable by a screw located at the top.

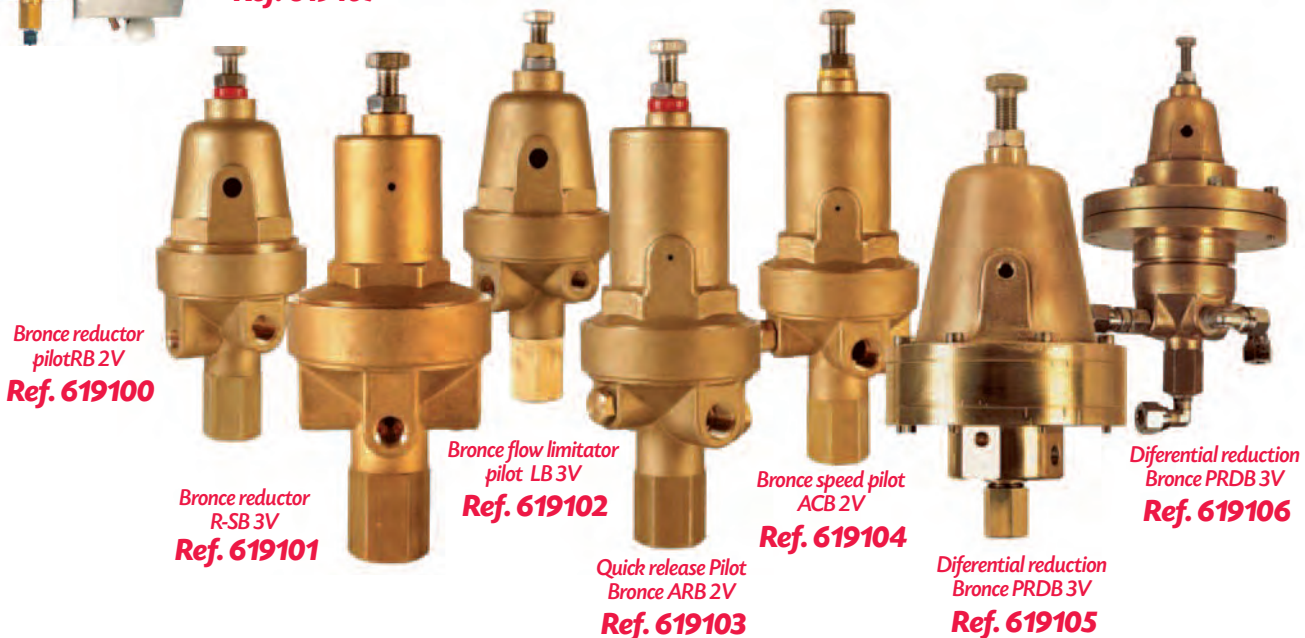
- Pilots regulators mount hydraulic valves, with different options and features of regulation depending on the model and its mode of installation.
- Body and lid made of brass.
- Permanent Cleaning brass filter through the steel mesh embedded in any assembly.
- Assembled with screws, shaft and stainless steel spring.



Ref. 61908

Pilot float valve
PVF 3V

Ref. 619107



Bronze reductor
pilotRB 2V
Ref. 619100

Bronze reductor
R-SB 3V
Ref. 619101

Bronze flow limiter
pilot LB 3V
Ref. 619102

Quick release Pilot
Bronze ARB 2V
Ref. 619103

Bronze speed pilot
ACB 2V
Ref. 619104

Diferential reduction
Bronze PRDB 3V
Ref. 619105

Diferential reduction
Bronze PRDB 3V
Ref. 619106

Hydraulic filters

Valve Accessories

GENERAL PROPERTIES:

- Screen filters for hydraulic steering jacks.
- External thread 1/4" male and female thread 1/8" female.
- Made of highly resistant materials in brass and stainless steel.
- Two models depending on the size (long and short) and in turn filtration two degrees of 300 and 500 microns.
- Easily removed for washing.

MODELS:

Ref. 611002: LONG filter (1/4" M - 1/8" H), 36 mesh/ 300 micron.

Ref. 611009: SHORT filter (1/4" M - 1/8" H), 36 mesh/ 300 micron.

Ref. 611012: LONG filter (1/4" M - 1/8" H), 55 mesh/ 500 micron.

Ref. 611032: SHORT filter (1/4" M - 1/8" H), 55 mesh/ 500 micron.



Long

Short



500 micron

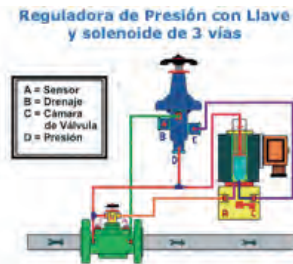
300 micron

PRH-61

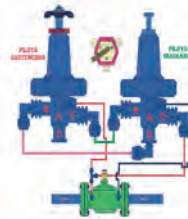
Hydraulic pressure regulators



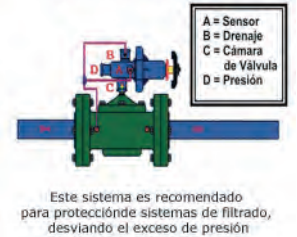
Ref. 619010



Conexión de Piloto Sostenedor + Piloto Regulador en Válvula con llave de 3 vías



Reguladora como Válvula de Seguridad para sistema de Filtrado



PRH-61 · Hydraulic pressure regulators

GENERAL PROPERTIES:

- Made of Nylon (PA. F.V.33%). Great versatility. Reduced size. Under differential. Tolerance to chemicals and temperature. Operated by screw or lever. Support anchor valve M-8 (optional M-14).
Range:
Low pressure 5-40 m
Standard pressure 10-60 m
High pressure 10-90 m "Just screw models".
- Pressure Hydraulic Regulator PRH-71, which is necessary for hydraulic control of pressures in the hydraulic application facilities agricultural and industrial.
- With the installation of PRH-71 pilots on hydraulic valves we can assemble the valve on different modular ways depending of your needs. Connecting the pilots to the upper chamber of the hydraulic valve and the inlet and outlet, we can achieve effects such as:
 - Pressure Regulating Valve (regulate output pressure of the valve, downstream).
 - Pressure Sustaining Valve (inlet pressure regulate in valve, upstream).
 - Safety valve or quick relief (open valve from "x" upstream pressure).

- Differential of Altitude Valve (unlike absorb pressure gradient).
- Sustaining valve and pressure regulator (with 2 pilots upstream regulatory premium regulation downstream).
- All these applications with a single device, the PR-71 Pilot Regulator: VYR S.A. This product offers suitable versions for different applications, either for control of valves that trasieguen water at temperatures up to 60° so as valves trasieguen water with concentrations of chemicals with high corrosive characteristics, this will include request internal components made of stainless steel, Viton or silicone, and various ranges in pressure.

MODELS:

- Ref. 619004:** Regulator pilot 0-4 BAR
- Ref. 619006:** Regulator pilot 0-6 BAR
- Ref. 619010:** Regulator pilot 0-10 BAR

HYDRAULIC COMMAND Green-Flex Pipes

Valve Accessories

greenflex
pipes



Anti-blending

GENERAL PROPERTIES:

- Reels of pilot micro-pipe for installations of hydraulic valves automation.
- Made from high strength PE and hi-flexibility.
- Rolled in reels of 500 y 1000 m for quick and easy handling on site.
- Its flexibility and thickness makes it very difficult to get pinched causing tube blockages or narrowing of flow.
- Each pallet has 24 reels of 1000 m

MICRO-PIPE COMAND MODELS & ACCESORIES:

Ref. 611910: Roll of micropipe 6x4,5 mm of 300 m

Ref. 611902: Roll of micropipe 8x5,6 mm of 800 m

Ref. 466619: Pipe cutter pliers.

Ref. 611900: Pipe spool.



Ref. 611902



VYR-27 3-WAY HYDRAULIC VALVE

Valve Accessories

GENERAL PROPERTIES:

- 3-way valves for manual control valves, hydraulic systems.
- Made of brass with steel shaft, chrome plated ball, seats fluoropolymers and plastic knobs.
- Available with controls in different colors to identify different uses.
- Models 1/8", 1/4 and 1/4" high flow.
- Identifying engraving position ON-OFF-AUTO.

MODELS:

Ref. 102700: 3-way valve 1/8" M - 1/8"F (x3).

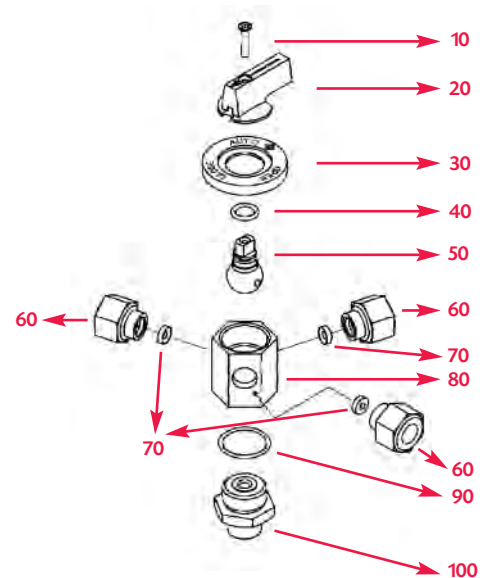
Ref. 102701: 3-way valve 1/4" M - 1/8"F (x3).

Ref. 102710: 3-way valve 1/8" F - 1/8"F (x3).

Ref. 102711: 3-way valve 1/4" F - 1/8"F (x3).

Ref. 102702: 3-way valve HI-FLOW 1/4"M - 1/4"F (x3).

Ref. 102703: Sleeve coupler 3/4" with double 1/8" F outlet (Hydraulic control comand for 3/4" riser).



Ref. 102710



Ref. 102711



Ref. 102702

Ref. 102701



Ref. 102700

Hydraulic Racords

Valve Accessories



METAL "COMPRESSION" MICRO-PIPE FITTINGS

- Ref. 611701: T EXPRESS - EXPRESS - EXPRESS, 6 mm
- Ref. 611702: T EXPRESS - 1/8" M - EXPRESS, 6 mm
- Ref. 611703: T EXPRESS - 1/4" M - EXPRESS, 6 mm
- Ref. 611704: T ASIMETRIC 1/8" M - EXPRESS - EXPRESS, 6 mm
- Ref. 611705: T ASIMETRIC 1/4" M - EXPRESS - EXPRESS, 6 mm
- Ref. 611706: ELBOW 1/8" M - EXPRESS, 6 mm
- Ref. 611716: ELBOW 1/4" M - EXPRESS, 6 mm
- Ref. 611717: EXPRESS, 6 mm - EXPRESS, 6 mm
- Ref. 611707: RACORD 1/8" M - EXPRESS, 6 mm
- Ref. 611708: RACORD 1/4" M - EXPRESS, 6 mm
- Ref. 611709: UNION RACORD EXPRESS 6 mm - EXPRESS, 6 mm
- Ref. 611809: UNION RACORD EXPRESS 6 mm - EXPRESS, 6 mm
- Ref. 611801: T EXPRESS - EXPRESS - EXPRESS, 8 mm
- Ref. 611802: T EXPRESS - 1/8" M - EXPRESS, 8 mm
- Ref. 611803: T EXPRESS - 1/4" M - EXPRESS, 8 mm
- Ref. 611804: T ASIMETRIC 1/8" M - EXPRESS - EXPRESS, 8 mm
- Ref. 611805: T ASIMETRIC 1/4" M - EXPRESS - EXPRESS, 8 mm
- Ref. 611806: ELBOW 1/8" M - EXPRESS, 8 mm
- Ref. 611816: ELBOW 1/4" M - EXPRESS, 8 mm
- Ref. 611817: ELBOW EXPRESS, 8 mm - EXPRESS, 8 mm
- Ref. 611807: RACORD 1/8" M - EXPRESS, 8 mm
- Ref. 611808: RACORD 1/4" M - EXPRESS, 8 mm
- Ref. 611812: UNION RACORD EXPRESS 8 mm - EXPRESS, 8 mm
- Ref. 611810: RACORD H, 1/8" M - EXPRESS, 8 mm
- Ref. 611811: RACORD H, 1/4" M - EXPRESS, 8 mm



MICRO-PIPE METAL RACORDS

- Ref. 611301: NIPPLE 1/8" M - 1/8" M
- Ref. 611302: NIPPLE 1/4" M - 1/4" M
- Ref. 611303: REDUCED NIPPLE 1/4" M - 1/8" M
- Ref. 611306: SLEEVE 1/8" H - 1/8" H
- Ref. 611307: SLEEVE 1/4" H - 1/4" H
- Ref. 611308: REDUCED SLEEVE 1/4" H - 1/8" H
- Ref. 611304: PLUG 1/8" M
- Ref. 611305: PLUG 1/4" M
- Ref. 611351: RACORD T 1/4" H x 1/4" H x 1/4" H
- Ref. 611352: RACORD T 1/4" H x 1/4" M x 1/4" H
- Ref. 611353: RACORD T ASIMETRIC 1/4" M x 1/4" H x 1/4" H
- Ref. 611354: RACORD ELBOW 1/4" H x 1/4" H
- Ref. 611355: RACORD ELBOW 1/4" M x 1/4" H
- Ref. 611360: IN-LINE BALL VALVE 1/4" H x 1/4" H



PLASTIC "COMPRESSION" MICRO-PIPE FITTINGS

- Ref. 611501: T EXPRESS - EXPRESS - EXPRESS, 6 mm
- Ref. 611502: T EXPRESS - 1/8" M - EXPRESS, 6 mm
- Ref. 611503: T EXPRESS - 1/4" M - EXPRESS, 6 mm
- Ref. 611504: T ASIMETRIC 1/8" M - EXPRESS - EXPRESS, 6 mm
- Ref. 611505: T ASIMETRIC 1/4" M - EXPRESS - EXPRESS, 6 mm
- Ref. 611506: ELBOW 1/8" M - EXPRESS, 6 mm
- Ref. 611507: ELBOW 1/4" M - EXPRESS, 6 mm
- Ref. 611508: ELBOW WITH SHORT FILTER 1/4" M - EXPRESS, 6 mm
- Ref. 611509: ELBOW WITH LONG FILTER 1/4" M - EXPRESS, 6 mm
- Ref. 611510: RACORD 1/8" M - EXPRESS, 6 mm
- Ref. 611511: RACORD 1/4" M - EXPRESS, 6 mm
- Ref. 611512: UNION RACORD EXPRESS 6 mm - EXPRESS, 6 mm
- Ref. 611513: REDUC. RACORD UNI. EXPRESS 8 mm - EXPRESS, 6 mm
- Ref. 611401: T EXPRESS - EXPRESS - EXPRESS, 8 mm
- Ref. 611402: T EXPRESS - 1/8" M - EXPRESS, 8 mm
- Ref. 611403: T EXPRESS - 1/4" M - EXPRESS, 8 mm
- Ref. 611404: T ASIMETRIC 1/8" M - EXPRESS - EXPRESS, 8 mm
- Ref. 611405: T ASIMETRIC 1/4" M - EXPRESS - EXPRESS, 8 mm
- Ref. 611406: ELBOW 1/8" M - EXPRESS, 8 mm
- Ref. 611407: ELBOW 1/4" M - EXPRESS, 8 mm
- Ref. 611408: ELBOW WITH SHORT FILTER 1/4" M - EXPRESS, 8 mm
- Ref. 611409: ELBOW WITH LONG FILTER 1/4" M - EXPRESS, 8 mm
- Ref. 611410: RACORD 1/8" M - EXPRESS, 8 mm
- Ref. 611411: RACORD 1/4" M - EXPRESS, 8 mm
- Ref. 611412: UNION RACORD EXPRESS 8 mm - EXPRESS, 8 mm
- Ref. 611201: NIPPLE 1/8" M - 1/8" M
- Ref. 611202: NIPPLE 1/4" M - 1/4" M
- Ref. 611206: SLEEVE 1/8" H - 1/8" H
- Ref. 611207: SLEEVE 1/4" H - 1/4" H
- Ref. 611208: REDUCED SLEEVE 1/4" H - 1/8" H
- Ref. 611203: REDUCED NIPPLE 1/4" M - 1/8" M
- Ref. 611204: PLUG 1/8" M
- Ref. 611205: PLUG 1/4" M



METAL "PUSH-IN" MICRO-PIPE CONNECTORS

- Ref. 611601: T EXPRESS - EXPRESS - EXPRESS, 8 mm
- Ref. 611602: T EXPRESS - 1/8" M - EXPRESS, 8 mm
- Ref. 611603: T EXPRESS - 1/4" M - EXPRESS, 8 mm
- Ref. 611604: T ASIMETRIC 1/8" M - EXPRESS - EXPRESS, 8 mm
- Ref. 611605: T ASIMETRIC 1/4" M - EXPRESS - EXPRESS, 8 mm
- Ref. 611606: ELBOW 1/8" M - EXPRESS, 8 mm
- Ref. 611607: ELBOW 1/4" M - EXPRESS, 8 mm
- Ref. 611608: RACORD 1/8" M - EXPRESS, 8 mm
- Ref. 611609: RACORD 1/4" M - EXPRESS, 8 mm
- Ref. 611610: UNION RACORD EXPRESS - EXPRESS, 8 mm
- Ref. 611611: Y EXPRESS - EXPRESS - EXPRESS, 8 mm

FRAMES & COMAND MANIFOLDS

Valve Accessories



Ref. 659500

GENERAL PROPERTIES:

- Fully manifold mounted on aluminum frame for controller and solenoids.
- Connects to micro-pipe of 6 mm or 8 mm with thread sealed with fluoropolymer sealing and PE micro-pipe.
- Profile machining to allow lateral movement.

MODELS:

OUTDOOR FRAME INOX

- Ref. 659500: Outdoor Frame INOX con anclaje móvil
- Ref. 659502: Outdoor Frame for 2 stations.
- Ref. 659504: Outdoor Frame for 4 stations.
- Ref. 659506: Outdoor Frame for 6 stations.
- Ref. 659508: Outdoor Frame for 8 stations
- Ref. 659510: Outdoor Frame for 10 stations.
- Ref. 659512: Outdoor Frame for 12 stations.

HYDRAULIC COMAND MANIFOLDS (plastic record)

- Ref. 106111: Hydraulic Comand Manifold 8 mm for 2 stations.
- Ref. 106112: Hydraulic Comand Manifold 8 mm for 3 stations.
- Ref. 106113: Hydraulic Comand Manifold 8 mm for 4 stations.
- Ref. 106114: Hydraulic Comand Manifold 8 mm for 5 stations.

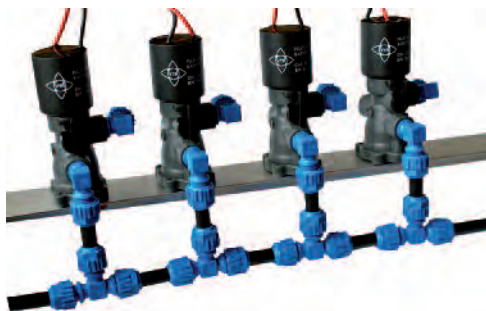


Ref. 106124

HYDRAULIC COMAND MANIFOLDS (metal record)

- Ref. 106121: Hydraulic Comand Manifold 8 mm for 2 stations.
- Ref. 106122: Hydraulic Comand Manifold 8 mm for 3 stations.
- Ref. 106123: Hydraulic Comand Manifold 8 mm for 4 stations.
- Ref. 106124: Hydraulic Comand Manifold 8 mm for 5 stations.

Ref. 106113





Pressure Regulators

FIXED PRESSURE REGULATORS

- VYR-19 MPR..... Pg. 180
- VYR-19 FPR..... Pg. 181
- VYR-19 HPR..... Pg. 182

VYR-19 MPR

VYR-19 MPR · Mini-Pressure-Regulator

GENERAL PROPERTIES:

- Pressure regulators VYR-19 MPR for agricultural and landscape use.
- Made of nylon 6.6, polypropylene, rubber and stainless steel.
- The design, with cross-sectional and longitudinal reinforcements, makes this range of pressure regulators one of most resistant on the market against high pressures and water hammer.
- BSP thread 3/4" H x (1/2" H- 3/4" M), and 1/2" x (1/2" H- 3/4" M)
- Stainless steel spring, high quality with continuous and uniform strength.
- Flow of 0,2 to 2,5 m³/h (0,9 - 11 GPM).
- Maximum working pressure 10 BAR (150 PSI).

MEASUREMENTS:

- Height: 7 cm / 2,75 in
- Width: 3,5 cm / 1,4 in
- Weight: 40 g / 0,09 Lbs
- Units per box: 100



MODELS:

- Ref. 121910: 3/4" H X 3/4" M-1/2" F, 10 PSI / 0,70 BAR (Pres. Max.= 6 BAR / 0,1 - 2,5 m³/H)
- Ref. 121920: 3/4" H X 3/4" M-1/2" F, 20 PSI / 1,38 BAR (Pres. Max.= 6,9 BAR / 0,1 - 2,5 m³/H)
- Ref. 121925: 3/4" H X 3/4" M-1/2" F, 25 PSI / 1,73 BAR (Pres. Max.= 7,2 BAR / 0,1 - 2,5 m³/H)
- Ref. 121930: 3/4" H X 3/4" M-1/2" F, 30 PSI / 2,07 BAR (Pres. Max.= 7,6 BAR / 0,1 - 2,5 m³/H)
- Ref. 121940: 3/4" H X 3/4" M-1/2" F, 40 PSI / 2,76 BAR (Pres. Max.= 8,3 BAR / 0,1 - 2,5 m³/H)
- Ref. 121950: 3/4" H X 3/4" M-1/2" F, 50 PSI / 3,45 BAR (Pres. Max.= 9 BAR / 0,1 - 2,5 m³/H)

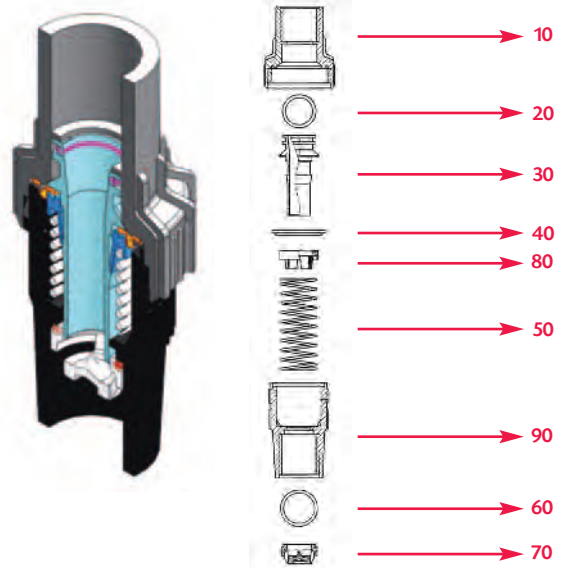
- Ref. 121911: 1/2" M X 3/4" M-1/2" F, 10 PSI / 0,70 BAR (Pres. Max.= 6 BAR / 0,1 - 2,5 m³/H)
- Ref. 121921: 1/2" M X 3/4" M-1/2" F, 20 PSI / 1,38 BAR (Pres. Max.= 6,9 BAR / 0,1 - 2,5 m³/H)
- Ref. 121926: 1/2" M X 3/4" M-1/2" F, 25 PSI / 1,73 BAR (Pres. Max.= 7,2 BAR / 0,1 - 2,5 m³/H)
- Ref. 121931: 1/2" M X 3/4" M-1/2" F, 30 PSI / 2,07 BAR (Pres. Max.= 7,6 BAR / 0,1 - 2,5 m³/H)
- Ref. 121941: 1/2" M X 3/4" M-1/2" F, 40 PSI / 2,76 BAR (Pres. Max.= 8,3 BAR / 0,1 - 2,5 m³/H)
- Ref. 121951: 1/2" M X 3/4" M-1/2" F, 50 PSI / 3,45 BAR (Pres. Max.= 9 BAR / 0,1 - 2,5 m³/H)

Ref. 121990: Check-Valve Kit for VYR-10 MRP

VYR-19 FPR



| REF. MUELLES | | |
|------------------|--------|--|
| 6 PSI / 0,5 BAR | 401906 | |
| 10 PSI / 0,7 BAR | 401910 | |
| 20 PSI / 1,4 BAR | 401920 | |
| 25 PSI / 1,8 BAR | 401925 | |
| 30 PSI / 2,1 BAR | 401930 | |
| 40 PSI / 2,8 BAR | 401940 | |
| 50 PSI / 3,5 BAR | 401950 | |



VYR-19 FPR · Fixed pressure regulators

GENERAL PROPERTIES:

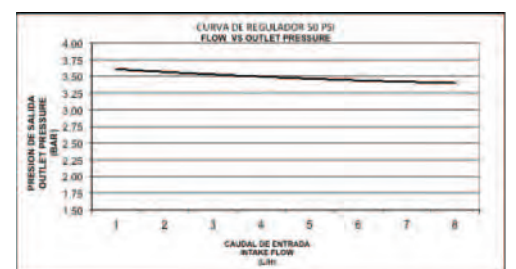
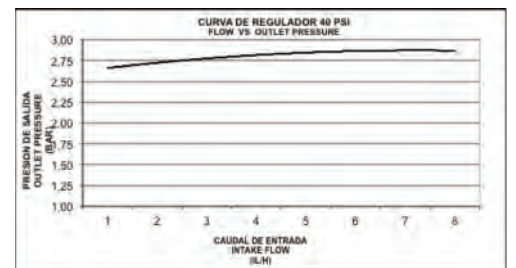
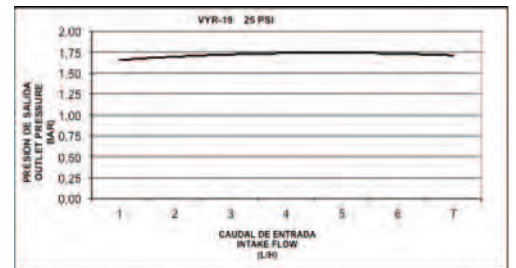
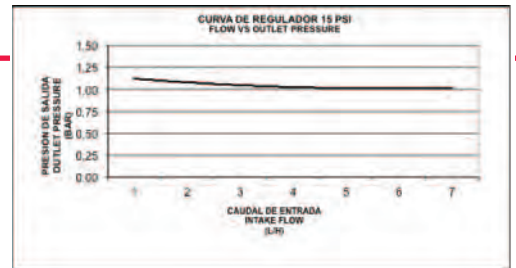
- Pressure regulators VYR-19 FPR for agricultural and landscape use.
- Made of HI-RESISTANCE PLASTICS, rubber and stainless steel.
- The design, with cross-sectional and longitudinal reinforcements, makes this range of pressure regulators one of most resistant on the market against high pressures and water hammer.
- Thread 3/4" H x 3/4" H (BSP).
- Stainless steel spring, high quality with continuous and uniform strength.
- Flow of 0.2 to 3,5 m³/H (0,88 - 15,4 GPM).
- Maximum working pressure 10 BAR (150 PSI).

MEASUREMENTS:

- Height: 11,5 cm
- Width: 5,3 cm
- Weight: 105 g
- Units per box: 50

MODELS:

- Ref. 121910: 3/4"H x 1/2"H, 10 PSI / 0,70 BAR (Pres. Max.= 6 BAR / 0,1 - 3,5 m³/H)
 Ref. 121920: 3/4"H x 1/2"H, 20 PSI / 1,38 BAR (Pres. Max.= 6,9 BAR / 0,1 - 3,5 m³/H)
 Ref. 121925: 3/4"H x 1/2"H, 25 PSI / 1,73 BAR (Pres. Max.= 7,2 BAR / 0,1 - 3,5 m³/H)
 Ref. 121930: 3/4"H x 1/2"H, 30 PSI / 2,07 BAR (Pres. Max.= 7,6 BAR / 0,1 - 3,5 m³/H)
 Ref. 121940: 3/4"H x 1/2"H, 40 PSI / 2,76 BAR (Pres. Max.= 8,3 BAR / 0,1 - 3,5 m³/H)
 Ref. 121950: 3/4"H x 1/2"H, 50 PSI / 3,45 BAR (Pres. Max.= 9 BAR / 0,1 - 3,5 m³/H)
- Ref. 101910: 3/4"H x 3/4"H, 10 PSI / 0,70 BAR (Pres. Max.= 6 BAR / 0,1 - 3,5 m³/H)
 Ref. 101920: 3/4"H x 3/4"H, 20 PSI / 1,38 BAR (Pres. Max.= 6,9 BAR / 0,1 - 3,5 m³/H)
 Ref. 101925: 3/4"H x 3/4"H, 25 PSI / 1,73 BAR (Pres. Max.= 7,2 BAR / 0,1 - 3,5 m³/H)
 Ref. 101930: 3/4"H x 3/4"H, 30 PSI / 2,07 BAR (Pres. Max.= 7,6 BAR / 0,1 - 3,5 m³/H)
 Ref. 101940: 3/4"H x 3/4"H, 40 PSI / 2,76 BAR (Pres. Max.= 8,3 BAR / 0,1 - 3,5 m³/H)
 Ref. 101950: 3/4"H x 3/4"H, 50 PSI / 3,45 BAR (Pres. Max.= 9 BAR / 0,1 - 3,5 m³/H)



VYR-19 HPR

VYR-19 HPR · Fixed pressure regulators

GENERAL PROPERTIES:

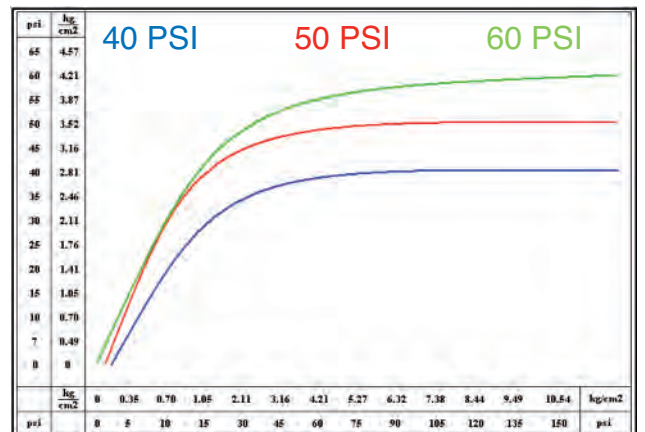
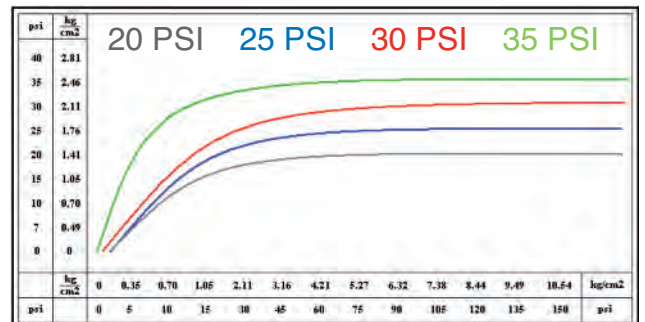
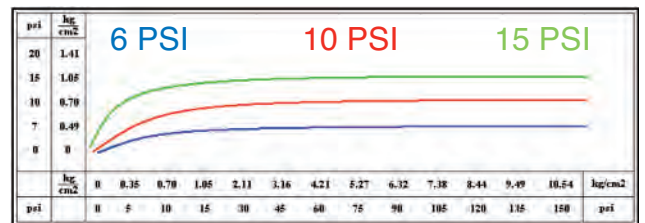
- Fixed pressure reducing regulators VYR-19 HPR for agricultural use and professional landscaping.
- Manufactured in Nylon 6.6, polypropylene, EPDM rubber and stainless steel.
- Designed with transverse and longitudinal reinforcements make this range of pressure regulators of the market more resistant against high pressures and water hammer.
- Rosca EXTRA-LONG thread 3/4" H x 3/4" H (BSP).
- Stainless steel spring High quality with continuous and homogeneous force.
- Flow rate of 2-5 m³/h (4,4 - 22 GPM).
- Maximum working pressure 10 BAR (150 PSI).

MEASUREMENTS:

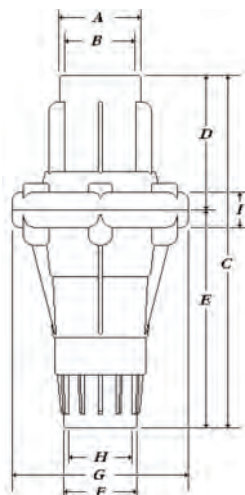
- Height: 13,8 cm
- Width: 6,9 cm
- Weight: 197 g
- Units per box: 50

MODELS:

- Ref. 111906: 3/4", 6 PSI / 0,41 BAR (Reg. Pres. Max.= 5,6 BAR / 1-5 m³/h)
- Ref. 111910: 3/4", 10 PSI / 0,70 BAR (Reg. Pres. Max.= 6 BAR / 1-5 m³/h)
- Ref. 111915: 3/4", 15 PSI / 1,05 BAR (Reg. Pres. Max.= 6,4 BAR / 1-5 m³/h)
- Ref. 111920: 3/4", 20 PSI / 1,40 BAR (Reg. Pres. Max.= 6,9 BAR / 1-5 m³/h)
- Ref. 111925: 3/4", 25 PSI / 1,85 BAR (Reg. Pres. Max.= 7,2 BAR / 1-5 m³/h)
- Ref. 111930: 3/4", 30 PSI / 2,07 BAR (Reg. Pres. Max.= 7,6 BAR / 1-5 m³/h)
- Ref. 111935: 3/4", 35 PSI / 2,46 BAR (Reg. Pres. Max.= 8 BAR / 1-5 m³/h)
- Ref. 111940: 3/4", 40 PSI / 2,80 BAR (Reg. Pres. Max.= 8,3 BAR / 1-5 m³/h)
- Ref. 111950: 3/4", 50 PSI / 3,45 BAR (Reg. Pres. Max.= 9 BAR / 1-5 m³/h)
- Ref. 111960: 3/4", 60 PSI / 3,95 BAR (Reg. Pres. Max.= 9,5 BAR / 1-5 m³/h)



| | |
|---|------------------|
| A | 33 mm |
| B | 3/4" bsp x 28 mm |
| C | 138 mm |
| D | 54 mm |
| E | 84 mm |
| F | 34 mm |
| G | 70 mm |
| H | 3/4" bsp x 18 mm |
| I | 15 mm |



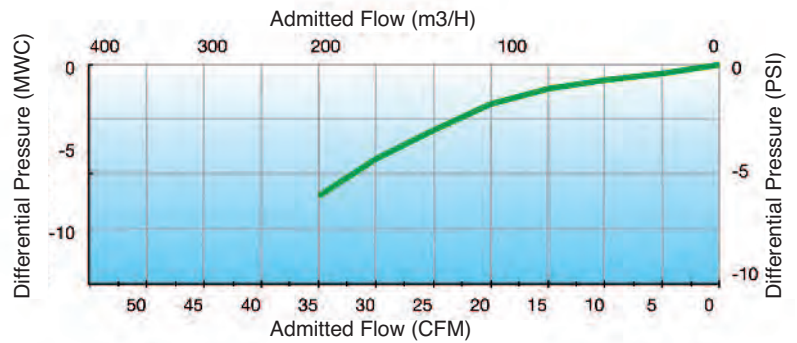
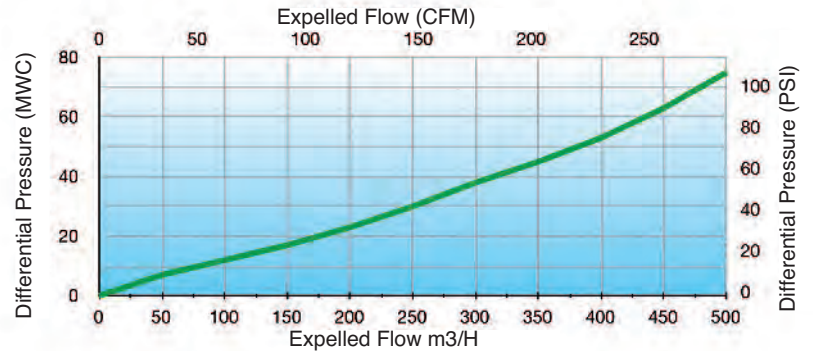


Air Release Valves

AIR RELEASE VALVES

- VYR-39 SIMPLE EFFECT..... Pág. 184
- VYR-39 DOUBLE-TRIPLE-EFFECT..Pág. 185
- VYR-39 TRIPLE-EFFECT.....Pág. 186

VYR-39 Mono-functional



VYR-39 MONO-FUNCTIONAL · Air Release Valve

GENERAL PROPERTIES:

- Double action kinetic air valves to extract and impel air from and into irrigation systems.
- Made of nylon 6.6 and reinforced with 30% fiberglass. Rubber closure gasket and polystyrene float.
- Operating range of 0.5 to 16 BAR (7 - 230 PSI)
- Continuous operation.
- Extracts more than 500 m³/h of air on filling the installation, without the valve closing through absence of air.
- Extraction of more than 45 m³/H (58 PSI). of air in installations with hydraulic pressures of 0,4 BAR (7 PSI).
- **It extracts** the air from the installation while the pipelines are filling. When the water reaches the inside of the valve, the float rises and closes the discharge outlet.
- Boca de salida de evacuación de aires con rosca "loca" de 1/8" hembra.
- **It prevents** the pipes from collapsing due to pressure decrease when the system is emptied. As the system is being emptied, the float drops and opens the seal, allowing air to enter the pipe.

APPLICATIONS:

- Agricultural installations, professional landscaping of all types and industrial use.

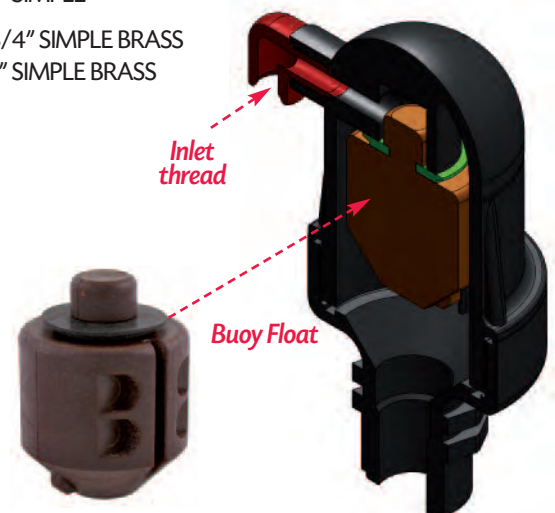
MODELS:

Ref. 103904: 3/4" SIMPLE

Ref. 103905: 1" SIMPLE

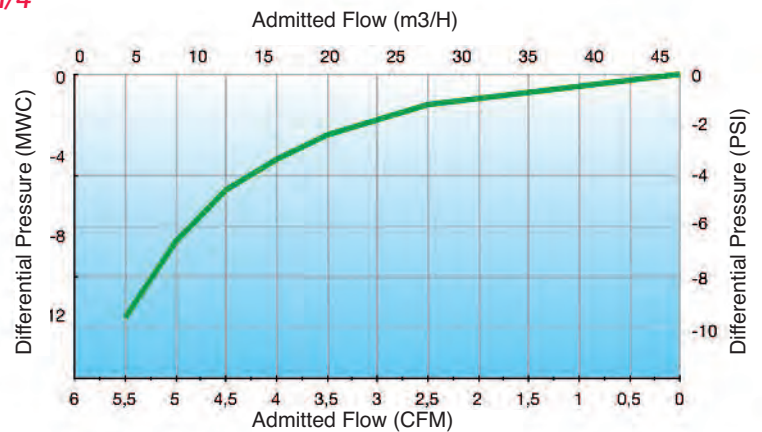
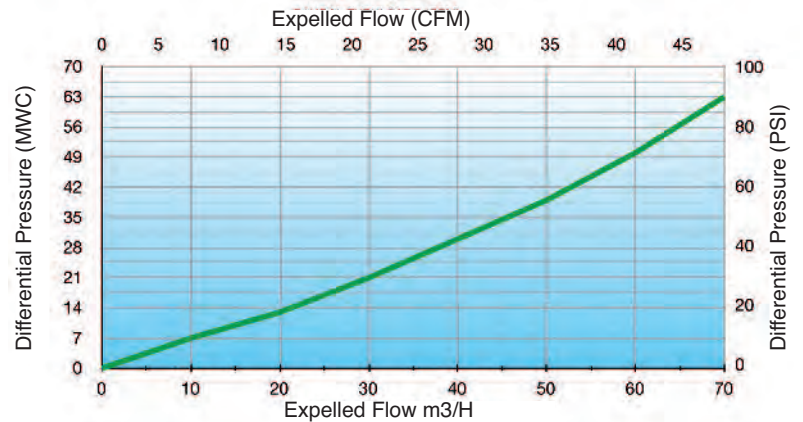
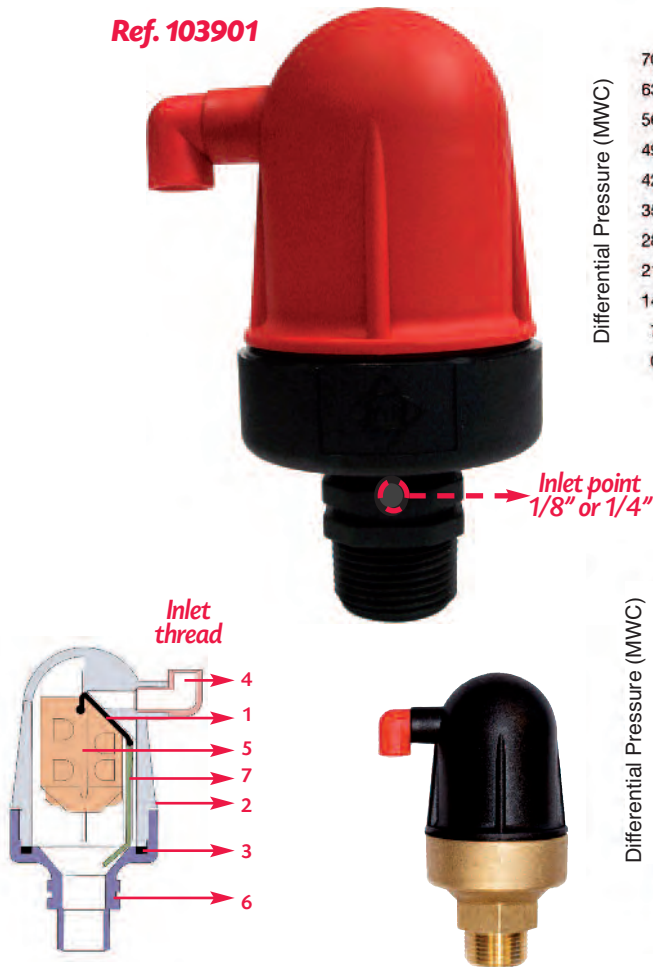
Ref. 103923: 3/4" SIMPLE BRASS

Ref. 103925: 1" SIMPLE BRASS



VYR-39 Tri-functional

Ref. 103901



VYR-39 TRI-FUNCTIONAL · Air release valves

GENERAL PROPERTIES:

- Double or triple action kinetic air valves to extract and impel air from and into irrigation systems.
- Made of nylon 6.6 and reinforced with 30% fiberglass. Rubber closure gasket and polystyrene float.
- Operating range of 0.5 to 16 BAR (7 - 230 PSI)
- Continuous operation.
- Extracts more than 500 m³/h of air on filling the installation, without the valve closing through absence of air.
- Extraction of more than 45 m³/H (58 PSI). of air in installations with hydraulic pressures of 0,4 BAR (7 PSI).
- **It extracts** the air from the installation while the pipelines are filling. When the water reaches the inside of the valve, the float rises and closes the discharge outlet.
- **It provides** automatic control, eliminating any residual air pockets from reaching the valve. This causes the float to drop, partially or totally opening the discharge outlet. The system pressure does not prevent this function from being carried out. (ONLY IN TRIPLE FUNCTION VALVES).

- **It prevents** the pipes from collapsing due to pressure decrease when the system is emptied. As the system is being emptied, the float drops and opens the seal, allowing air to enter the pipe.
- Exhaust outlet of air with "revolving elbow" thread of 1/8" female.
- Protection grille to prevent insects entering the valve and consequent float blockage.

APPLICATIONS:

- Agricultural installations, professional landscaping of all types and industrial use.

MODELS:

- Ref. 103900: 3/4" TRIPLE, 0,5-6 BAR (LOW PRESSURE)
- Ref. 103901: 1" TRIPLE, 0,5-6 BAR (LOW PRESSURE)
- Ref. 103920: 3/4" TRIPLE BRASS, 0,5-6 BAR (LOW PRESSURE)
- Ref. 103921: 1" TRIPLE BRASS, 0,5-6 BAR (LOW PRESSURE)

- Ref. 103960: 3/4" TRIPLE, 2-16 BAR (HI PRESSURE)
- Ref. 103961: 1" TRIPLE, 2-16 BAR (HI PRESSURE)
- Ref. 103970: 3/4" TRIPLE BRASS, 2-16 BAR (HI PRESSURE)
- Ref. 103971: 1" TRIPLE BRASS, 2-16 BAR (HI PRESSURE)

VYR-39 Tri-functional 2"



Ref. 103922



Ref. 103902

Inlet point
1/8" or 1/4"



VYR-39 TRI-FUNCTIONAL · Air release valves

GENERAL PROPERTIES:

- Double or triple action kinetic air valves to extract and impel air from and into irrigation systems.
- Operating range of 0.5 to 16 BAR (7 - 230 PSI)
- Continuous operation and automatic effect.
- Extracts more than 1000 m³/H (4.400 GPM) of air on filling the installation, without the valve closing through absence of air.
- Extraction of more than 200 m³/H (880 GPM) of air in installations with hydraulic pressures of 0,3 BAR (4,5 PSI).
- **It provides** the air from the installation while the pipelines are filling. When the water reaches the inside of the valve, the float rises and closes the discharge outlet.
- **It provides** automatic control, eliminating any residual air pockets from reaching the valve. This causes the float to drop, partially or totally opening the discharge outlet. The system pressure does not prevent this function from being carried out. (ONLY IN TRIPLE FUNCTION VALVES).
- **It prevents** the pipes from collapsing due to pressure decrease when the system is emptied. As the system is being emptied, the float drops and opens the seal, allowing air to enter the pipe.
- Exit air outlet with full turn.
- Protection grille to prevent insects entering the valve and consequent float blockage.

TECHNICAL SPECIFICATIONS:

- Made of nylon 6.6 and reinforced with 30% fiberglass.
- Sealing gasket, rubber and polystyrene float.
- Male thread 2" BSP or NPT.
- Swivel female elbow with 1/2" thread and anti-insects inner screen.

APPLICATIONS:

- Drip irrigation systems, sprinkler irrigation systems and industry.

MEASUREMENTS:

- Height: 25 cm
- Width: 10 cm
- Weight: 860 g and 1250 g (brass base)
- Units per box: 10

MODELS:

- Ref. 103902: 2" TRIPLE, 0,5-6 BAR (LOW PRESSURE)
- Ref. 103922: 2" TRIPLE BRASS, 0,5-6 BAR (LOW PRESSURE)
- Ref. 103952: 2" TRIPLE, 2-16 BAR (HI PRESSURE)
- Ref. 103972: 2" TRIPLE BRASS, 2-16 BAR (HI PRESSURE)

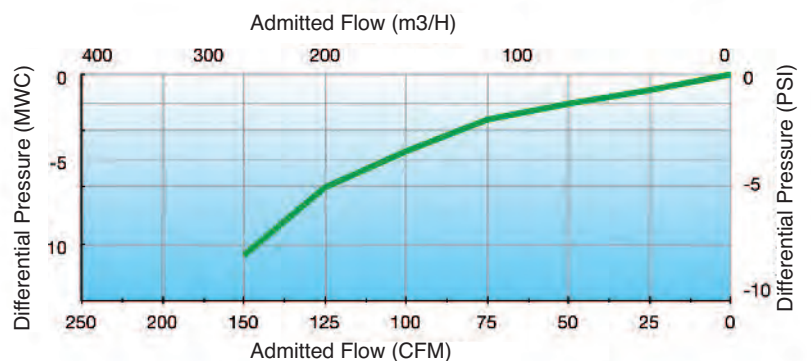
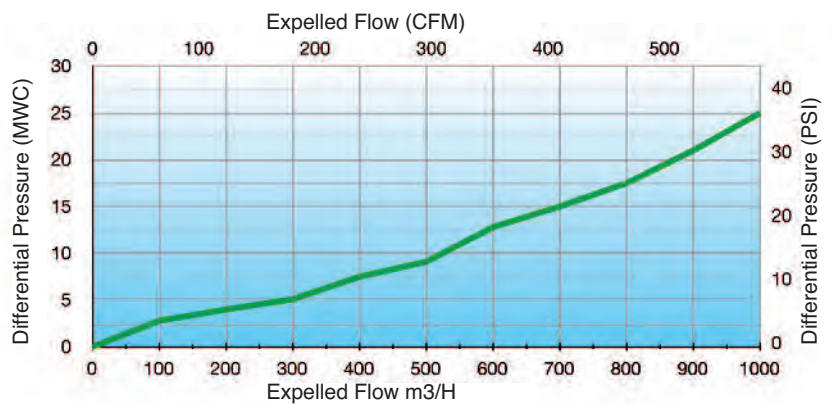
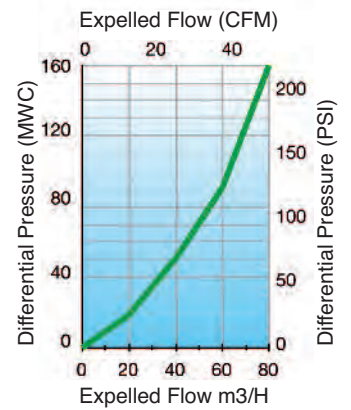


The VYR-39 Tri-Functional valve is designed to withstand the most stringent working conditions and efficiently expel the accumulated air in hydraulic network pipes.

The materials with which it is manufactured are resistant to exterior pressures of up to 16 BAR / 230 PSI. The double closing of static and dynamic membrane manufactured in EPDM achieve a perfect closing of the camera thus avoiding leakage of liquid.

For proper operation, it is essential to have a correct vertical installation and a minimum cleaning maintenance in case there is no previous filtering.

It is recommended the installation of a ball valve coupled to the VYR-39 valve to facilitate the maintenance of this.



Black Membrane:
0,5-6 BAR / 4,5-87 PSI

White Membrane:
2-16 BAR / 15-230 PSI





Coverage systems

AGRO-STAND, AGRO-FLAT, AGRO-PIPE, AGRO-RAIN

Agro-Stand

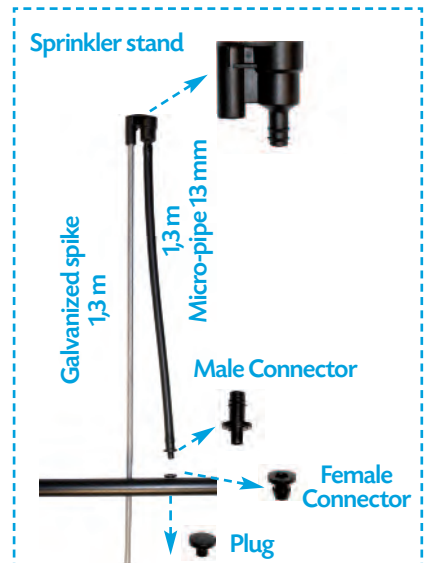
Complete Set AgroStand



Flexible anti-blending pipe GreenFlex



Easy quick anti-drip connectors



AGRO-STAND · Low flow quick-coupling with PE pipe

GENERAL PROPERTIES:

- Agro-Stand 1/2" sprinkler stand system.
- 1.3 meters height, to be 30-40 cm stuck into the ground.
- Made of special plastics PVC & POM.
- Security pipe-lock for a save fasten.
- Working pressure from 0-6 BAR.

APLICACIONES:

- AG farms, green-houses, industrial mobile systems.

MODELS:

Ref. 102670: AGRO-STAND: sprinkler stand + 1.3 m pipe 13 mm + male & female fitting.

Ref. 102675: Triple spike stand to 1/2" + 30 cm tube 13 mm + male-female connectors.

Ref. 102630: Sprinkler Stand base..

Ref. 102672: Self-compensating valve.

Ref. 102620: Male connector thread-barbed 10 mm

Ref. 102610: Male connector thread-barbed 10 mm

Ref. 102600: Plug.

Ref. 102641: Galvanized steel spike 1.2 m for Agro-Stand (revited).

Ref. 102672: Kit: sprinkler coupler + 1.3 m pipe 13 mm + male & female fitting.

Ref. 102680: Kit: sprinkler coupler + 0.9 m pipe 13 mm + 1.3 m steel spike + male & fem. connect.

Ref. 102682: Kit: sprinkler coupler + 0.9 m pipe 13 mm + 0.9 galv. spike + male & female connector

Ref. 102652: Micro-pipe roll of 100 m (ANTI-FLAT).

Ref. 102643: Micro-tubo de 1,3 metros de 13 mm anti-pinzamiento.

Ref. 496619: Pipe Cutter Tool (10-20 mm).

Ref. 103120: Eyelet hole punch Tool 10 mm MANUAL (PE low density).

Ref. 103130: Eyelet hole punch Tool 10 mm AUTO "Cut-turn-place".

Ref. 496619: Pipe cutter tool (10-20 mm).



Agro-Flat



Contact our technical department for the development of custom projects with our HYDRO-CAD software

Ref. 103140

AGRO-FLAT · Low flow coverage with flat hose

GENERAL PROPERTIES:

- Secondary lines feeding system with super resistant flat hose with internal membrane PN-10.
- Easy system to collect and store by winding the hose on itself.
- Quick and safe to connect branch outlets.

MODELS:

TOOLS AND ACCESSORIES:

Ref. 103150: Express socket for flat pipe, for 13 mm pipe

Ref. 103140: 13 mm cutting tool for flat pipe.

PIPES:

Ref. 102755: Lay-Flat hose AGRO-FLAT of 50 mm, 8 BAR, 100 m

Ref. 102775: Lay-Flat hose AGRO-FLAT of 75 mm, 8 BAR, 100 m

Ref. 102790: Lay-Flat hose AGRO-FLAT of 90 mm, 8 BAR, 100 m

Ref. 102791: Lay-Flat hose AGRO-FLAT of 110 mm, 8 BAR, 100 m

RACORS:

Ref. 102710: Reduced racord AGRO-FLAT of 50 mm - 75 mm

Ref. 102711: Reduced racord AGRO-FLAT of 75 mm - 90 mm

Ref. 102712: Reduced racord AGRO-FLAT of 90 mm - 100 mm

Ref. 102715: Stright union racord AGRO-FLAT of 50 mm

Ref. 102716: Stright union racord AGRO-FLAT of 75 mm

Ref. 102717: Stright union racord AGRO-FLAT of 100 mm

Ref. 102720: Straight union threaded racord AGRO-FLAT of 50 mm a 1 1/2"

Ref. 102721: Straight union threaded racord AGRO-FLAT of 50 mm a 2"

Ref. 102722: Straight union threaded racord AGRO-FLAT of 75 mm a 3"

Ref. 102725: End Plug AGRO-FLAT of 50 mm

Ref. 102726: End Plug AGRO-FLAT of 75 mm

Ref. 102727: End Plug AGRO-FLAT of 100 mm



Agro-Pipe

AGRO-PIPE · Aluminum Pipe Coverage system

Contact our technical department for the development of custom projects with our HYDRO-CAD software.

GENERAL PROPERTIES:

- Irrigation coverage pipe systems of extrusion aluminum pipes with different coupling systems for quick-mounting hydraulic supply.
- All pipes are available in lengths of 3, 6, 9 and 12 m in diameter in different sizes.
- Quick and easy to assemble. Very light and resistant at the same time.
- Operating range of 0 to 10 BAR
- Made of special aluminum alloys and certified for different utilities.
- Evacuation of more than 500 m³/h of air during the filling of the installation occurs without closing the valve in the absence of air.

APPLICATIONS:

- Agriculture, mining, construction, forestry, water and services.

MODELS:

PIPES WITH BAYONET COUPLING H (NO OUTLET)

- Ref. TCMH-503: COVERAG. Pipe of 3 m with bayonet H record of 50 mm (1 1/2").
- Ref. TCMH-506: COVERAG. Pipe of 6 m with bayonet H record of 50 mm (1 1/2").
- Ref. TCMH-509: COVERAG. Pipe of 9 m with bayonet H record of 50 mm (1 1/2").
- Ref. TGHS-23: Pipe of 3 m of 2" bayonet.
- Ref. TGHS-26: Pipe of 6 m of 2" bayonet.
- Ref. TGHS-33: Pipe of 3 m of 3" bayonet.
- Ref. TGHS-36: Pipe of 6 m of 3" bayonet.
- Ref. TGHS-43: Pipe of 3 m of 4" bayonet.
- Ref. TGHS-46: Pipe of 6 m of 4" bayonet.



PIPES WITH HOOK COUPLING (NO OUTLET)

- Ref. TRUS-23: Pipe of 3 m with 2" hook record.
- Ref. TRUS-33: Pipe of 3 m with 3" hook record.
- Ref. TRUS-43: Pipe of 3 m with 4" hook record.
- Ref. TRUS-63: Pipe of 3 m with 6" hook record.
- Ref. TRUS-26: Pipe of 6 m with 2" hook record.
- Ref. TRUS-36: Pipe of 6 m with 3" hook record.
- Ref. TRUS-46: Pipe of 6 m with 4" hook record.
- Ref. TRUS-66: Pipe of 6 m with 6" hook record.



PIPES WITH BAUER COUPLING (NO OUTLET)

- Ref. TPS-503: Pipe of 3 m of 50 mm
- Ref. TPS-703: Pipe of 3 m of 70 mm
- Ref. TPS-903: Pipe of 3 m of 90 mm
- Ref. TPS-113: Pipe of 3 m of 110 mm
- Ref. TPS-506: Pipe of 6 m of 50 mm
- Ref. TPS-706: Pipe of 6 m of 70 mm
- Ref. TPS-906: Pipe of 6 m of 90 mm
- Ref. TPS-116: Pipe of 6 m of 110 mm



SPRINKLER STANDS (stabilizer plate included)

- Ref. TMHR-50: Sprinkler-stand for ø 50 H with fematle thread 3/4"
- Ref. TEMH-51: Sprinkler-stand for ø 50 H with raiser of 0.5 m
- Ref. TEMH-52: Sprinkler-stand for ø 50 H with raiser of 0.75 m
- Ref. TEMH-53: Sprinkler-stand for ø 50 H with raiser of 1.25 m
- Ref. TEMH-54: Sprinkler-stand for ø 50 H with raiser of 2 m
- Ref. TEMH-60: Sprinkler-stand for ø 63 H with fematle thread 3/4"
- Ref. TEMH-61: Sprinkler-stand for ø 63 H with raiser of 0.5 m
- Ref. TEMH-62: Sprinkler-stand for ø 63 H with raiser of 0.75 m
- Ref. TEMH-63: Sprinkler-stand for ø 63 H with raiser of 1.25 m
- Ref. TEMH-64: Sprinkler-stand for ø 63 H with raiser of 2 m





RAISER EXTENSIONS

- Ref. CA-3405: Raiser of 0.5 m 3/4" H - 3/4" M
- Ref. CA-3410: Raiser of 1 m 3/4" H - 3/4" M
- Ref. CA-3415: Raiser of 1.5 m 3/4" H - 3/4" M
- Ref. CA-3420: Raiser of 2 m 3/4" H - 3/4" M



RACORDS

- Ref. AHRM-50: Adapt. male thread - pipe 50 mm (H).
- Ref. HRGH-2: Adapt. male thread - pipe 2" (H).
- Ref. HRGH-3: Adapt. male thread - pipe 3" (H).
- Ref. HRGH-4: Adapt. male thread - pipe 4" (H).
- Ref. HBGH-2: Adapt. flanged 2" - pipe 2" (H).
- Ref. HBGH-3: Adapt. flanged 3" - pipe 3" (H).
- Ref. HBGH-4: Adapt. flanged 4" - pipe 4" (H).
- Ref. AMBU-2: Adapt. flanged 2" - pipe 2" (hook).
- Ref. AMBU-3: Adapt. flanged 3" - pipe 3" (hook).
- Ref. AMBU-4: Adapt. flanged 4" - pipe 4" (hook).



ELBOWS

- Ref. CU-2: Elbow 90° hook 2"
- Ref. CU-3: Elbow 90° hook 3"
- Ref. CU-4: Elbow 90° hook 4"
- Ref. CCU-2: Elbow 45° hook 2"
- Ref. CCU-3: Elbow 45° hook 3"
- Ref. CCU-4: Elbow 45° hook 4"



THREADED CROSS

- Ref. CRRU-21: T 2" side thread 1 1/2" M (hook).
- Ref. CRRU-31: T 3" side thread 1 1/2" M (hook).
- Ref. CRRU-41: T 4" side thread 1 1/2" M (hook).



PLUGS

- Ref. TFC-50: End line plug 1 1/2" (H).
- Ref. TGH-2: End line plug 2" (H).
- Ref. TU-2: End line plug 2" (hook).
- Ref. TU-3: End line plug 3" (hook).
- Ref. TU-4: TEnd line plug 4" (hook).



BALL VALVES

- Ref. 103204: Brass ball valve of 1 1/2"
- Ref. 103205: Brass ball valve of 2"
- Ref. 103207: Brass ball valve of 3"

- Ref. 103214: Plastic ball valve of 1 1/2"
- Ref. 103215: Plastic ball valve of 2"



HYDRANTS

- Ref. CMH-3: Elbow wheel hydrant 3" (hook)
- Ref. CMH-4: Elbow wheel hydrant 4" (hook)
- Ref. HALB-3: Hydr. Valv. 3" brida.
- Ref. HALB-4: Hydr. Valv. 4" brida.
- Ref. VHLU-3: Hydr. Valv. 3" línea (hook).
- Ref. VHLU-4: Hydr. Valv. 4" línea (hook).
- Ref. TMH-32: Hydr. Valv. 3"+ 2 x 2" T (hook).
- Ref. TMH-33: Hydr. Valv. 3" T (hook).
- Ref. TMH-44: Hydr. Valv. 4" T (hook).



CROSS

- Ref. CR-2: Cross 50 mm pipe bayonet.
- Ref. CR-2: Cross 2" pipe bayonet.
- Ref. CRU-2: Cross 2" pipe hook.
- Ref. CRU-3: Cross 3" pipe hook.
- Ref. CRU-4: Cross 4" pipe hook.



HOSE ADAPTERS

- Ref. AHM-2: Hook female adapt. 2" for hose.
- Ref. AHM-3: Hook female adapt. 3" for hose.
- Ref. AHM-4: Hook female adapt. 4" for hose.
- Ref. AMM-2: Hook male adapt. 2" for hose.
- Ref. AMM-3: Hook male adapt. 3" for hose.
- Ref. AMM-4: Hook male adapt. 4" for hose.

END T

- Ref. TF-2: End T 2" of H.
- Ref. TF-3: End T 3" of H.
- Ref. TF-4: End T 4" of H.
- Ref. TFU-2: End T 2" of hook.
- Ref. TFU-3: End T 3" of hook.
- Ref. TFU-4: End T 4" of hook.



Agro-Rain

Contact our technical department for the development of custom projects with our HYDRO-CAD software.

PVC LATERAL OUTLETS

Pipe connections



GENERAL PROPERTIES:

- Connection system for mounting PEHD pipe high density on secondary PVC pipes.
- Output 1" female with reinforcement ring in stainless steel.
- High sealing bilabials gaskets.
- Operating Range 0 to 10 BAR

MODELS:

- Ref. 693010: T outlet 1" H for pipe PVC of 63
- Ref. 693012: T outlet 1" H for pipe PVC of 75
- Ref. 693020: T outlet 1" H for pipe PVC of 90

PIPE SADDLES

Pipe connections



MODELS:

PLASTIC (PPR & stainless screws INOX 305)

- Ref. 108901: Pipe saddles of 32 mm with outlet 1/2"
- Ref. 108902: Pipe saddles of 32 mm with outlet 3/4"
- Ref. 108903: Pipe saddles of 63 mm with outlet 3/4"
- Ref. 108904: Pipe saddles of 63 mm with outlet 1"
- Ref. 108905: Pipe saddles of 75 mm with outlet 1"
- Ref. 108906: Pipe saddles of 90 mm with outlet 1 1/2"
- Ref. 108907: Pipe saddles of 110 mm with outlet 2"
- Ref. 108908: Pipe saddles of 140 mm with outlet 2"

METAL (ductil casting & stainless screws INOX 305)

- Ref. 108911: Pipe saddles of 32 mm with outlet 1/2"
- Ref. 108912: Pipe saddles of 32 mm with outlet 3/4"
- Ref. 108913: Pipe saddles of 63 mm with outlet 3/4"
- Ref. 108914: Pipe saddles of 63 mm with outlet 1"
- Ref. 108915: Pipe saddles of 75 mm with outlet 1"
- Ref. 108916: Pipe saddles of 90 mm with outlet 1 1/2"
- Ref. 108917: Pipe saddles of 110 mm with outlet 2"
- Ref. 108918: Pipe saddles of 140 mm with outlet 2"

AGRO-RAIN · Connectors for Solid Set System HDPE

GENERAL PROPERTIES:

- Connection system and branches for high density PE Ø 32 piping systems.
- High security and anti-drip claw system.
- Manufactured in certified brass according to UNE regulations.
- Operating range from 0 to 16 BAR
- High precision machining.

MODELS:

CONNECTORS FOR SOLID SET HDPE-32 mm

Ref. 107901: ELBOW 32 mm EXPRESS - 32mm EXPRESS

Ref. 107902: ELBOW 32 mm EXPRESS - 1" M

Ref. 107903: ELBOW 32 mm EXPRESS - 3/4" H

Ref. 107911: T TRIPLE BARBED 32 mm

Ref. 107912: T 2 EXPRESS 32 mm x 1" M

Ref. 107913: T 2 EXPRESS 32 mm x 3/4" H

Ref. 107921: COUPLER EXPRESS 32 mm x 32 mm

Ref. 107923: COUPLER EXPRESS 32 mm x 1" MALE

Ref. 107922: COUPLER EXPRESS 32 mm x 3/4" FEMALE

Ref. 107930: EXPRESS PLUG 32 mm

Ref. 107918: CROSS 32 mm EXPRESS x 4

Ref. 107919: CROSS 32 mm EXPRESS x 3 - 1" M

Ref. 107952: T 2 EXPRESS 32 mm x 3/4" H + galv. pipe 2 m (ASSEMBLED).

Ref. 107962: ELBOW 32 mm EXPRESS - 3/4" H + galv. pipe 2 m (ASSEMBLED).

Ref. 107951: T 2 EXPRESS 32 mm x 3/4" H + galv. pipe 3 m (ASSEMBLED).

Ref. 107961: ELBOW 32 mm EXPRESS - 3/4" H + galv. pipe 3 m (ASSEMBLED).

Ref. 107955: T 2 EXPRESS 32 mm x 3/4" H + galv. pipe 2+1 m with coupler (ASSEMBLED).

Ref. 107956: ELBOW EXPRESS 32 mm - 3/4" H + tubo galv. 2+1 m with coupler (ASSEMBLED).

Ref. 107952: 1,2 m PELD cover for raisers of 3/4"

Ref. 107959: 3/4" female SLEEVE coupler of galvanized steel.

Ref. 107981: 1 m galvanized steel pipe DIN-2440 special for underground coverage.

Ref. 107982: 2 m galvanized steel pipe DIN-2440 special for underground coverage.

Ref. 107983: 3 m galvanized steel pipe DIN-2440 special for underground coverage.







Accessories

CONNECTOR AND RECORDS

- CONNECTORS Pg. 198
- MODULAR MANIFOLDS..... Pg. 200
- HOSE COUPLERS..... Pg. 201
- CLAMPS..... Pg. 203

HOSE NOZZLES

- VYR-102..... Pg. 204

BALL VALVES

- VYR-17 / VYR-30 ARTIC..... Pg. 205
- VYR-32..... Pg. 206
- VYR-3 / VYR-32..... Pg. 207

SPRINKLERS STANDS

- VYR-87 SLEDS & TRIPODS..... Pg. 208
- SPIKES & BASES..... Pg. 209
- HOSES AND ACCESORIES..... Pg. 210

Threaded and barbed coupling



Ref. 105608



Ref. 105600



Ref. 105801



Ref. 105831



Ref. 105802



Ref. 103841



Ref. 103821



Ref. 103831



Ref. 103850



Ref. 103847

THREADED & BARBED COUPLING · Fittings, couplings and connections

MODELS:

PLASTIC

- Ref. 105801: MALE COUPLER 1/2" - 1/2"
- Ref. 105802: MALE COUPLER 3/4" - 3/4"
- Ref. 105803: MALE COUPLER 1" - 1"
- Ref. 105804: MALE COUPLER 1 1/2" - 1 1/2"
- Ref. 105805: MALE COUPLER 2" - 2"
- Ref. 105811: SLEEVE 1/2" - 1/2"
- Ref. 105812: SLEEVE 3/4" - 3/4"
- Ref. 105608: SPRINKLER SLEEVE 3/4" - 3/4"
- Ref. 105813: SLEEVE 1" - 1"
- Ref. 105814: SLEEVE 1 1/2" - 1 1/2"
- Ref. 105815: SLEEVE 2" - 2"
- Ref. 105821: REDUCER MALE COUPLER 1/2" - 3/4"
- Ref. 105822: REDUCER MALE COUPLER 3/4" - 1"
- Ref. 105823: REDUCER MALE COUPLER 1 1/2" - 1"
- Ref. 105831: REDUCER NUT 3/4" M - 1/2" F
- Ref. 105832: REDUCER NUT 1" M - 3/4" F
- Ref. 105833: REDUCER NUT 2" M - 1 1/2" F
- Ref. 105600: FEMALE REDUCER COUPLER 3/4" F - 1" F
- Ref. 105841: FEMALE REDUCER COUPLER 3/4" F - 1/2" F
- Ref. 105842: FEMALE REDUCER COUPLER 1" F - 3/4" F
- Ref. 105843: FEMALE REDUCER COUPLER 2" F - 1 1/2" F
- Ref. 105871: PLUG 1/2" - 1/2" M
- Ref. 105872: PLUG 3/4" - 3/4" M
- Ref. 105873: PLUG 1" - 1" M
- Ref. 105874: PLUG 1" - 1" F

BRASS

- Ref. 103801: MALE COUPLER 1/2" - 1/2"
- Ref. 103802: MALE COUPLER 3/4" - 3/4"
- Ref. 103803: MALE COUPLER 1" - 1"
- Ref. 103804: MALE COUPLER 1 1/2" - 1 1/2"
- Ref. 103805: MALE COUPLER 2" - 2"
- Ref. 103821: REDUCER MALE COUPLER 1/2" - 3/4"
- Ref. 103822: REDUCER MALE COUPLER 3/4" - 1"
- Ref. 103823: REDUCER MALE COUPLER 1 1/2" - 2"
- Ref. 103824: REDUCER MALE COUPLER 2 1/2" - 2"
- Ref. 103825: REDUCER MALE COUPLER 2 1/2" - 3"
- Ref. 103831: REDUCER NUT 3/4" M - 1/2" H
- Ref. 103832: REDUCER NUT 1" M - 3/4" H
- Ref. 103833: REDUCER NUT 2" M - 1 1/2" H
- Ref. 103600: REDUCER NUT 3/4" H - 1" H
- Ref. 103841: SLEEVE COUPLER 1/2" H
- Ref. 103842: SLEEVE COUPLER 3/4" H
- Ref. 103843: SLEEVE COUPLER 1" H
- Ref. 103844: SLEEVE COUPLER 1 1/4" H
- Ref. 103845: SLEEVE COUPLER 1 1/2" H
- Ref. 103846: SLEEVE COUPLER 2" H
- Ref. 103847: SLEEVE REDUCER COUPLER 3/4" H - 1/2" H
- Ref. 103848: SLEEVE REDUCER COUPLER 1" H - 3/4" H
- Ref. 103849: SLEEVE REDUCER COUPLER 2" H - 1 1/2" H
- Ref. 103850: PLUG 1/2" M
- Ref. 103851: PLUG 3/4" M
- Ref. 103852: PLUG 1" M

VYR-6920 Manifolds AG-PPR

See the full range of products and accessories in our price-list or web.



MANIFOLDS AG-PPR VYR-6920 · Hydraulic manifolds

GENERAL PROPERTIES:

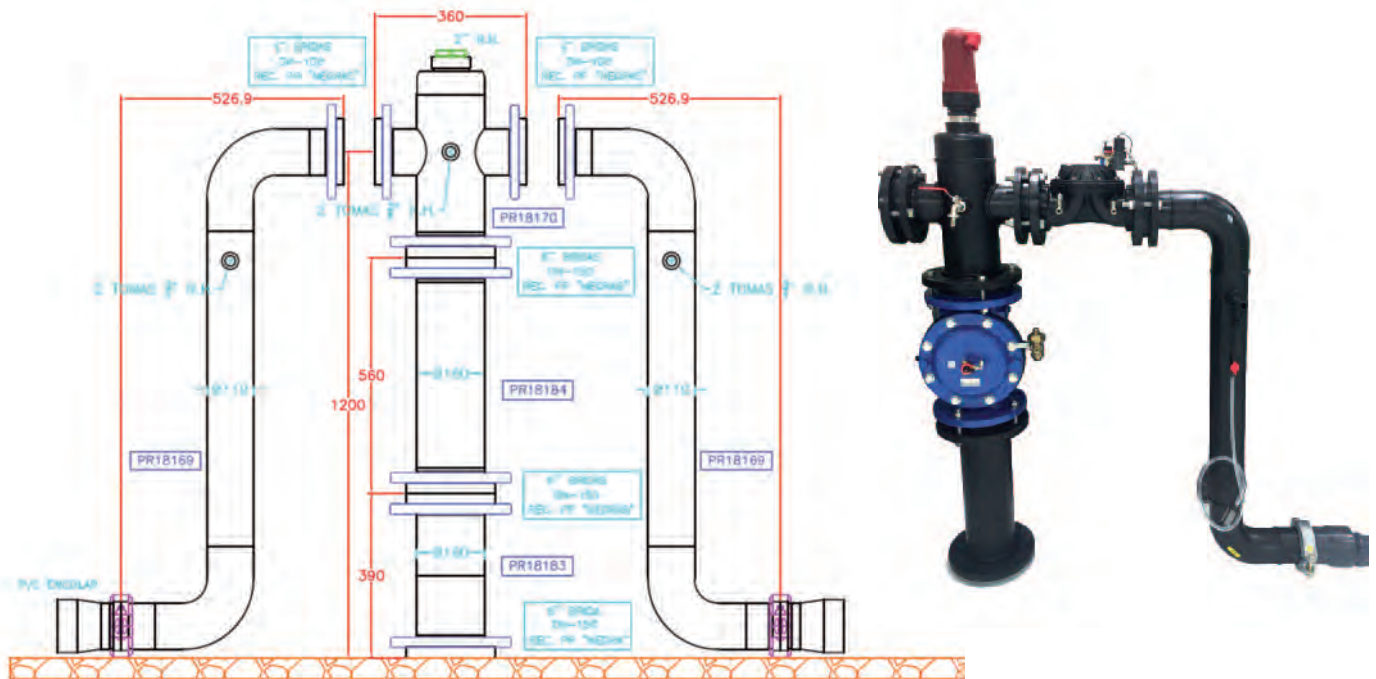
- Modular Plastic manifolds made from high tensile strength polypropylene.
- Models in 2" and 3"
- System linkage by Victaulic flanges high security seal on APDM.

MODELS:

- Ref. 692010: T de 2"
- Ref. 692012: CROSS of 2"
- Ref. 692014: ELBOW of 2"
- Ref. 692016: 2" ELBOW with outlet 1"
- Ref. 692018: FLANGE-THREAD ADAPTER 2"
- Ref. 692020: THREAD ADAPTER 2"
- Ref. 692022: SHORT FILTER SET 2"
- Ref. 692024: LONG FILTER SET 2"
- Ref. 692026: WHEEL SECURITY VALVE 2"
- Ref. 692028: PLUG 2"
- Ref. 692030: VITAULIC ADAPTER 2"
- Ref. 693050: T 3"
- Ref. 693052: CROSS 3"
- Ref. 693054: ELBOW 3"
- Ref. 693056: 3" ELBOW with outlet 1"
- Ref. 693058: FLANGE-THREAD ADAPTER 3"
- Ref. 693060: THREAD ADAPTER 3"
- Ref. 693062: SHORT FILTER SET 3"
- Ref. 693064: LONG FILTER SET 3"
- Ref. 693066: WHEEL SECURITY VALVE 3"
- Ref. 693068: PLUG 3"
- Ref. 693070: VITAULIC ADAPTER 3"



VYR-6950 Modular Main Hydrants



MANIFOLDS AG-PPR VYR-6950 · Modular Hydrant Manifolds

GENERAL PROPERTIES:

- Modular collectors made of high strength reinforced polypropylene plastic.
- Models in 2" and 3"
- High security VITAULIC flange connection system with EPDM seal.

MODELS:

Ref. 695001: MASTER HYDRANT 4": Manifold + Security Valv. + Air-Release Valv. VYR-39 2" + Y Rock-Filter + 2 metal hydrants 3" flanged + Pres. Reg. Pilot + 2 neck downpipes swan 3"

Ref. 695002: MASTER HYDRANT 5": Manifold + Security Valv. + Air-Release Valv. VYR-39 2" + Y Rock-Filter + 2 metal hydrants 3" flanged + Pres. Reg. Pilot + 2 neck downpipes swan 3"

Ref. 695003: MASTER HYDRANT 6": Manifold + Security Valv. + Air-Release Valv. VYR-39 2" + Y Rock-Filter + 2 metal hydrants 4" flanged + Pres. Reg. Pilot + 2 neck downpipes swan 4"

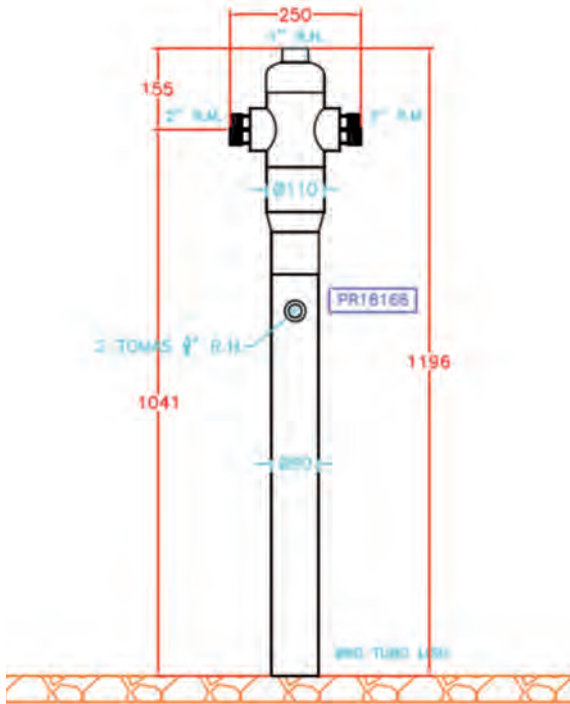
Ref. 695004: MASTER HYDRANT 8": Manifold + Security Valv. + Air-Release Valv. VYR-39 2" + Y Rock-Filter + 2 metal hydrants 4" flanged + Pres. Reg. Pilot + 2 neck downpipes swan 4"

Ref. 695005: MASTER HYDRANT 8": Manifold + Security Valv. + Air-Release Valv. VYR-39 2" + Y Rock-Filter + 2 metal hydrants 6" flanged + Pres. Reg. Pilot + 2 neck downpipes swan 6"

Ref. 695006: MASTER HYDRANT 10": Manifold + Valv. + Security Air-Release Valv. VYR-39 2" + Y Rock-Filter + 2 metal hydrants 6" flanged + Pres. Reg. Pilot + 2 neck downpipes swan 6"

Ref. 695007: MASTER HYDRANT 12": Manifold + Security Valv. + Air-Release Valv. VYR-39 2" + Y Rock-Filter + 2 metal hydrants 8" flanged + Pres. Reg. Pilot + 2 neck downpipes swan 8"

VYR-6940 Modular Sector Hydrants



MANIFOLDS AG-PPR VYR-6940 · Modular Hydrant Manifolds

GENERAL PROPERTIES:

- Modular collectors made of high strength reinforced polypropylene plastic.
- Models in 2" and 3"
- High security VITAULIC flange connection system with EPDM seal.

MODELS:

Ref. 694001: MASTER HYDRANT 1 1/2": Manifold 1 1/2" + 2 Security Valv. + Air-Release Valv. VYR-39 1" + 2 hydraulic valv. 1 1/2"

Ref. 694002: MASTER HYDRANT 2": Manifold 2" + 2 Security Valv. + Air-Release Valv. VYR-39 1" + 2 hydraulic valv. 2"

Ref. 694003: MASTER HYDRANT 3": Manifold 3" + 2 Security Valv. + Air-Release Valv. VYR-39 1" + 2 hydraulic valv. 2"

Ref. 694004: MASTER HYDRANT 3": Manifold 4" + 2 Security Valv. + Air-Release Valv. VYR-39 1" + 2 hydraulic valv. 3"

Ref. 694005: MASTER HYDRANT 4": Manifold 3" + 2 Security Valv. + Air-Release Valv. VYR-39 1" + 2 hydraulic valv. 2"

Ref. 694006: MASTER HYDRANT 6": Manifold 6" + 2 Security Valv. + Air-Release Valv. VYR-39 1" + 2 hydraulic valv. . 4"

Ref. 694007: MASTER HYDRANT 6": Manifold 6" + 2 Security Valv. + Air-Release Valv. VYR-39 1" + 2 hydraulic valv. . 6"

VYR-6 Hose quick-coupling



Ref. 100801



Ref. 100602



Ref. 100802



Ref. 100604

HOSE QUICK CONNECTOR VYR-6 · Fittings, couplings and connections

GENERAL PROPERTIES:

- It is the quickest and most secure type of coupling on the market.
- Made of brass.
- For hoses and standardised plastic or rubber tubes of diameter 15, 20 y 25 mm (INSIDE).
- On one side there is a male threaded connection of 1/2" or 3/4" (or female, if using a reducer nut).
- The special design of the barbed quick coupling connection for hoses make this connector one of the most secure on the market. Once the pipes are connected, the sharp rear-facing barbs make it almost impossible to disconnect the piping.
- Coupling gasket made out of rubber and lubricated to ensure that it is watertight.

APPLICATIONS:

- Agriculture and landscaping.
- Industrial use.
- City maintenance vehicles.
- Concrete trucks with hoses.

MEASUREMENTS:

- Height: 8, 9 y 10 cm
- Width: 3, 3,5 y 4 cm
- Weight: 150, 200 y 240 g
- Units per box: 100, 150 y 200

OPTIONS:

- Assembled with reducer nut.
- Spare gaskets.

MODELS:

Ref. 100602: 1/2" M thread for 20 mm hose.

Ref. 100603: 3/4" F thread for 20 mm hose.

Ref. 100604: 3/4" M thread for 25 mm hose.

Ref. 400605: Reducer nut 3/4" F to 1/2" F

Ref. 100801: Hose repair-coupler Ø 20 mm

Ref. 100802: Hose repair-coupler Ø 25 mm

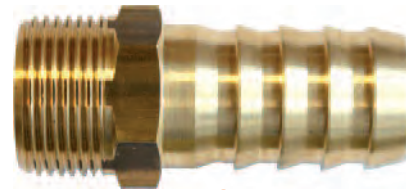


Ref. 400605

VYR-7 Racords



Ref. 100700



Ref. 301305

VYR-7 FIXED COUPLING · Fittings, couplings and connections

GENERAL PROPERTIES:

- Made of brass.
- Hi-secured barbed connector.

MODELS:

Ref. 310300: Copling of 1/8" MALE for hose of 10 mm

Ref. 310301: Copling of 1/4" MALE for hose of 13 mm

Ref. 310302: Copling of 3/8" MALE for hose of 16 mm

Ref. 310303: Copling of 1/2" MALE for hose of 20 mm

Ref. 310304: Copling of 3/4" MALE for hose of 25 mm

Ref. 100700: Copling of 3/4" FEMALE for hose of 25 mm

Ref. 310305: Copling of 1" MALE for hose of 32 mm

Ref. 400605: Reduced nut of 3/4" FEMALE to 1/2" FEMALE



Ref. 400605



Ref. 310301

VYR-8 GeKa Racords

VYR-8 EXPRESS RACORD · Fittings, couplings and connections

GENERAL PROPERTIES:

- Fittings, fast and secure coupling for 10 BAR max.
- Brass construction.
- For standard hoses and pipes of 25 mm
- The special design of fast link connecting hose fittings make these some of the safest in the market.
- Gasket made of rubber coupling.



Ref. 100811

Ref. 100813

Ref. 100812

MODELS:

Ref. 100808: 1/2" male thread.

Ref. 100809: 1/2" female thread.

Ref. 100807: 1/2" barb hose (13 mm).

Ref. 100815: 3/4" male thread.

Ref. 100814: 3/4" female thread.

Ref. 100810: 3/4" barb hose (19 mm).

Ref. 100813: 1" male thread.

Ref. 100812: 1" female thread.

Ref. 100811: 1" barb hose (25 mm).

Ref. 100818: 1 1/4" male thread.

Ref. 100817: 1 1/4" female thread.

Ref. 100816: 1 1/4" barb hose (32 mm).

Ref. 100821: End plug.

Ref. 100822: Sealing Ring Hi-Performance.

VYR-9 Hose clamps



Ref. 100900

VYR-9 ADJUSTABLE HOSE CLAMPS · Hose clamp

GENERAL PROPERTIES:

- An adjustable hose clamp is used to securely attach a hose onto a fitting.
- Made of stainless steel.
- Worm screw for adjustment with a screwdriver.

MODELS:

- Ref. 100900: 6-13 mm
- Ref. 100901: 11-20 mm
- Ref. 100902: 18-32 mm
- Ref. 100903: 27-51 mm
- Ref. 100904: 46-70 mm

VYR-102 Hose spray-nozzle

VYR-102 ADJUSTABLE SPRAY-NOZZLE · Spray nozzles

GENERAL PROPERTIES:

- Same characteristics as model VYR-101, but made of brass.
- Adjustable from a light rain to a powerful jet.
- Total closure.
- Valid for any standard hose diameter.

MODELS:

- Ref. 101020: Female thread 3/4" without connector.
- Ref. 101021: With connection 15/20 mm
- Ref. 101022: Spray nozzle M reg. quick-connector.

Ref. 101021



Ref. 101020

VYR-10 Hose fixed jet-nozzle

VYR-10 SPRAY NOZZLE · Spray nozzles

GENERAL PROPERTIES:

- Fixed jet spray nozzles.
- Made of brass.

MODELOS:

- Ref. 101001: Hose ø 20 mm
- Ref. 101002: Hose ø 25 mm



Ref. 101002

Ref. 101001

VYR-17 Brass bibcocks with swivel elbow



VYR-17 BRASS BIBCOCK WITH ROTATING POUT ELBOW · Valves and accessories

GENERAL PROPERTIES:

- Ball tap valve for stopping the water flow.
- Opening of the lever is REVERSED to facilitate the rotation of elbow.
- Teflon seals and swivel elbow.
- Made of hot stamped brass.
- 1" male connection.
- Outlet for connection to 1/2" female.
- Facilitates the movement of the hose.

MODELS:

Ref. 101700: Bibcock 1" with elbow 1/2"



VYR-30 Frost protection ball-valve

VYR-30 BALL-VALVE - PN20 · Plastic for high pressure and low temperatures

GENERAL PROPERTIES:

- Special valve for high pressures and frost conditions which may cause bursting and blockage of this type of valve.
- Made of nylon 6.6 and a high percentage of fibreglass.
- Stainless steel ball and fluoropolymer seals.
- Hot stamped brass reinforcements on the plastic injected piece to reinforce the different parts of the valve.

MODELS:

Ref. 103010: 1/2"
Ref. 103011: 3/4"
Ref. 103012: 1"



-25°C

THREAD ISO 228/1

VYR-32 Ball valves



VYR-32 · Brass and plastic ball valves - PN20

GENERAL PROPERTIES:

- Brass and plastic valves for installation and connection of pipes and hoses.
- Made of nickel-plated brass or plastic with hot stamped brass reinforcements on the injected piece to reinforce the different parts of the valve.
- Stainless steel ball and fluoropolymer seals.
- Output with 1/2" or 3/4" female thread.
- Models available with latch lock.

MODELS:

BRASS

- Ref. 103200: 1/2"
- Ref. 103201: 3/4"
- Ref. 103202: 1"
- Ref. 103203: 1 1/4"
- Ref. 103204: 1 1/2"
- Ref. 103205: 2"
- Ref. 103206: 2 1/2"
- Ref. 103207: 3"
- Ref. 103208: 4"

NYLON PLASTIC

- Ref. 103210: 1/2"
- Ref. 103211: 3/4"
- Ref. 103212: 1"
- Ref. 103213: 1 1/4"
- Ref. 103214: 1 1/2"
- Ref. 103215: 2"

VYR-32 HF Ball valves HF

VYR-32 HF · Ball Valves - PN10

GENERAL PROPERTIES:

- Plastic faucet valves for installation in collectors, pipes and connection to hoses.
- Made of plastic with reinforcements to reinforce the different parts of the valve.
- Technical plastic ball and Teflon gaskets.

MODELS:

- Ref. 103251: 1" plastic.
- Ref. 103252: 1 1/2" plastic.
- Ref. 103253: 2" plastic.
- Ref. 103254: 2 1/2" plastic.
- Ref. 103255: 3" plastic.

Ref. 103251



VYR-32 DA - Double Axle

VYR-32 DA · Double Axle Ball Valve- PN16

GENERAL PROPERTIES:

- Brass and steel faucet valves for installation in collectors, pipes, irrigation coverages and connection to hoses.
- Made of nickel-plated brass
- Stainless steel ball and Teflon joints.
- Output with 1 1/2" or 2" female thread.

MODELS:

- Ref. 103264: 1 1/2" brass double axle.
 Ref. 103265: 2" brass double axle.



Ref. 103264

VYR-31 Ball Taps



Ref. 103101



Ref. 103110

VYR-31 · Ball-valve bibcocks - PN16

GENERAL PROPERTIES:

- Brass and plastic bibcock valves for installation in walls and hose connections.
- Made of nickel-plated brass or plastic with hot stamped brass reinforcements on the injected piece to reinforce the different parts of the valve.
- Stainless steel ball and Teflon seals.
- Outlet with 1/2" or 3/4" male thread, with quick connector adapter for hoses of 16-20 mm. Gasket included for preventing leaks.

MODELS:

- Ref. 103100: 1/2" brass.
 Ref. 103101: 3/4" brass.
 Ref. 103110: 1/2" plastic and brass.
 Ref. 103111: 3/4" plastic and brass.
 Ref. 103112: 1" plastic and brass.

Sleds VYR-87



Ref. 108700



Ref. 108701

VYR-87 · Galvanized Sled

GALVANIZED SLED VYR-87

Ref. 108700: 75 cm 3/4" M - 3/4" F

Ref. 108706: 60 cm 3/4" M - 3/4" M

Ref. 108701: 35 cm 1/2" M - 1/2" F



Tripods VYR-187

VYR-187 · Galvanized Tripod

GALVANIZED TRIPOD VYR-1087

Ref. 108716: 100 cm for 1 1/4" (3 pod).

Ref. 108717: 100 cm for 2" (3 pod).

Ref. 108703: 200 cm for 2"

Ref. 108704: 250 cm for 2 1/2" (4 pod).

Ref. 108705: 250 cm for 3" (4 pod).

Ref. 108721: Conector MACHO express- rosca 1 1/4" H

Ref. 108722: Conector MACHO express- rosca 1 1/2" H

Ref. 108723: Conector MACHO express- rosca 2" H

Ref. 108724: Conector MACHO express- rosca 2 1/2" H

Ref. 108725: Conector MACHO express- rosca 3" H

Ref. 108731: Conector HEMBRA express- rosca 1 1/4" M

Ref. 108732: Conector HEMBRA express- rosca 1 1/2" M

Ref. 108733: Conector HEMBRA express- rosca 2" M

Ref. 108734: Conector HEMBRA express- rosca 2 1/2" M

Ref. 108735: Conector HEMBRA express- rosca 3" M



Ref. 108704



VYR-84 Spikes

VYR-84 · Spikes

GENERAL PROPERTIES:

- Brass, plastic and aluminum spikes.
- Outlet of 1/2" F and inlet of 3/4" F.
- Hose racord of 3/4" M for diameters 20-25 mm

MODELS:

- Ref. 108400: Brass Spike.
- Ref. 108410: Aluminum spike
- Ref. 108420: Plastic spike.

- Ref. 486803: Racord 20-25 brass.
- Ref. 486806: Racord 20-25 alumn.
- Ref. 486805: Racord 20-25 plast.



VYR-2000 Bases

VYR-2000 · Bases

GENERAL PROPERTIES:

- Aluminum base.
- Double thread outlet of 1/2" female.

MODELS:

- Ref. 120001: Base with plastic racord express + plug.
- Ref. 120011: Base with plastic racord express + express.
- Ref. 120000: Base with racord 15-20 mm + plug.
- Ref. 120010: Base with double racord 15-20 mm



VYR-324 Hoses

VYR-324 HOSES · High Resistance Hoses

Ref. 137015: Hose ø 15 mm (50 m).

Ref. 137020: Hose ø 20 mm (50 m).

Ref. 137025: Hose ø 25 mm (50 m).

Ref. 137050: Hose ø 32 mm (50 m).

Ref. 102755: Lay-flat hose AGRO-FLAT of 50 mm, 8 BAR (50 m).

Ref. 102775: Lay-flat hose AGRO-FLAT of 75 mm, 8 BAR (50 m).

Ref. 102790: Lay-flat hose AGRO-FLAT of 90 mm, 8 BAR (50 m).

Ref. 102791: Lay-flat hose AGRO-FLAT of 110 mm, 8 BAR (50 m).



VYR-78 Deflector Screen

VYR-78 · Deflector Screen

GENERAL PROPERTIES:

- Smooth deflector plate to protect roads and sides from splash of part-circle sprinklers under wind drifts.
- Made of galvanized steel with double mooring for 3/4" cane.

MODELS:

Ref. 119801: Curved deflector plate 180°

Ref. 119802: Flat deflector plate 180°

Ref. 119801



VYR-395 Automatic drainage valves

VYR-395 · Drainage valve

GENERAL PROPERTIES:

- Discharge valves for extracting water from irrigation installations during winter and maintenance.
- Installation inverted directly on the pipe.
- Discharge opening at 0.2 BAR or lower.
- Made of brass and stainless steel. Rubber closure gasket and polystyrene float.
- Operating range of 0.2 to 16 BAR
- Male thread of 1/2"

MODELS:

Ref. 103950: Drainage valve (opens at 0,2 BAR)



Ref. 103950



Filtration & Dosing Systems

FILTRATION & DOSING SYSTEM

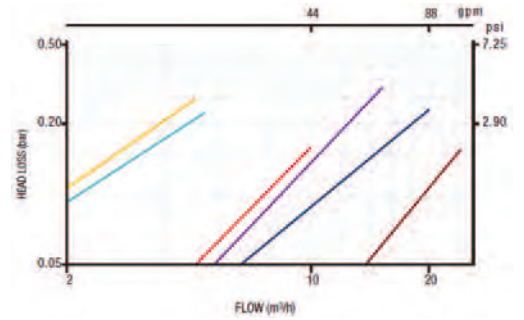
- FILTRATION.....Pág. 212

- DOSING SYSTEM..... Pág. 213

VYR-1300 Filters-Y



Ref. 130020



VYR-1300 · Low Flow Filters-Y

MODELS:

- Ref. 130020: 3/4" low flow and screen Y filter 5 m³/h 2W
- Ref. 130021: 3/4" low flow and disc Y filter 5 m³/h 2W
- Ref. 130022: 1" low flow and screen Y filter 5 m³/h 2W
- Ref. 130023: 1" low flow and disc Y filter 5 m³/h 2W



Disc

- 130 micron. (120 mesh)



Screen INOX

- 530 micron. (35 mesh)
- 200 micron. (75 mesh)
- 130 micron. (120 mesh)
- 100 micron. (150 mesh)

• Disc filter element with threaded closure for easy handling. This ensures the compression of the discs and prevents accidental loss.

• Screen filter element manufactured in plastic and stainless steel.

VYR-1350 Filters-Y

VYR-1350 · Medium Flow Filters-Y



Ref. 135024

MODELS:

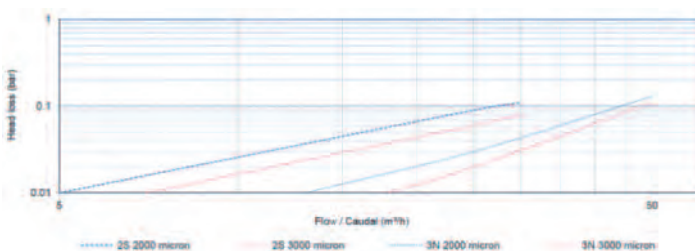
- Ref. 135024: 1 1/2" low flow Y screen filter 12 m³/h 2W + Drainage
- Ref. 135025: 1 1/2" low flow Y disc filter 12 m³/h 2W + Drainage
- Ref. 135030: 2" Y screen filter 30 m³/h 3W + Drainage
- Ref. 135031: 2" Y disc filter 30 m³/h 3W + Drainage

VYR-1400 Filters C-Inox

VYR-1400 · High Flow Filters-Y

MODELS:

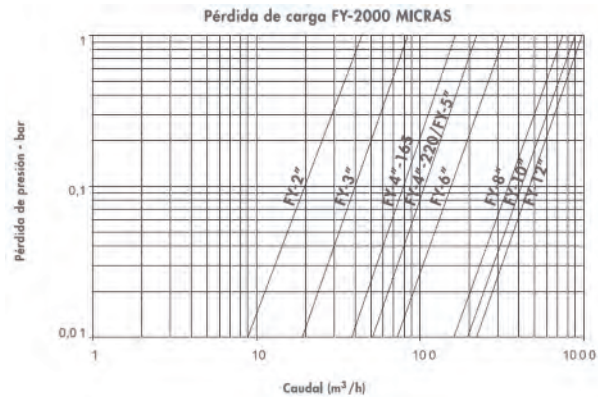
- Ref. 140030: 2" modular screen filter inox. 2 mm, 30 m³/h 3W
- Ref. 140032: 3" modular screen filter inox. 2 mm, 50 m³/h 3W
- Ref. 140034: 4" modular double screen filter inox. 2 mm, 100 m³/h 3W



Ref. 130030

VYR-2750

Metal Rock screen filters



VYR-2750 METAL STONE-HUNTER FILTERS · Hydrants accessories

GENERAL PROPERTIES:

- The Rock-Hunter VYR-2750 filters have been explicitly designed for sprinkler installations and could prevent any entry of small rocks/stones that can cause jams in pipe or sprinkler outlets themselves.
- Carbon steel body.
- Tomas Gauge side.
- Screws bichromate, quality 5.6 and 5.8.
- Spray Cartridge: Stainless Steel AISI-304.
- Working pressure: 10 BAR
- Shot blasting surfaces to grade SA 2 1/2
- Coating with paint epoxy powder.

MODELS:

- Ref. 275002: ROCK-HUNTER filter of 2" thread.
- Ref. 275003: ROCK-HUNTER filter of 3" flanged.
- Ref. 275004: ROCK-HUNTER filter of 4" flanged.
- Ref. 275005: ROCK-HUNTER filter of 5" flanged.
- Ref. 275006: ROCK-HUNTER filter of 6" flanged.
- Ref. 275008: ROCK-HUNTER filter of 8" flanged.
- Ref. 275010: ROCK-HUNTER filter of 10" flanged.
- Ref. 275012: ROCK-HUNTER filter of 12" flanged.

VYR-490

Hydraulic dosing pump

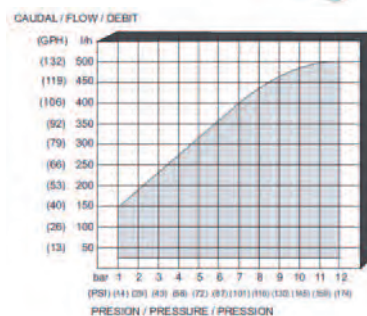
VYR-490 HYDRAULIC DOSING PUMP · Hydraulic injectors

GENERAL PROPERTIES:

- Hydraulic piston metering pumps hydraulically.
- Flow: 25 - 500 l/h for FERTIC / 25 -250 L/H for ECOFERTIC
- Pressure: 1- 12 BAR for FERTIC / 1,5 - 8 BAR for ECOFERTIC
- Made of plastic materials resistant to most chemical products used in agriculture, livestock and water treatment applications.
- Water consumption: twice injecting fertilizer.
- Materials in contact with fertilizer: PP - FPM
- Connections: Hose coupling 20.
- Resistant to agro-chemicals.
- Weight: 3 and 2.5 kg

MODELS:

- Ref. 049008: FERTIC.
- Ref. 049012: ECO-FERTIC.



VYR-49 Ventury Injectors



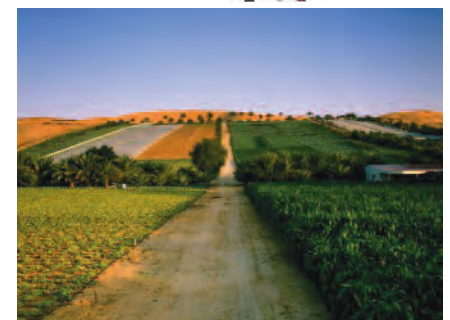
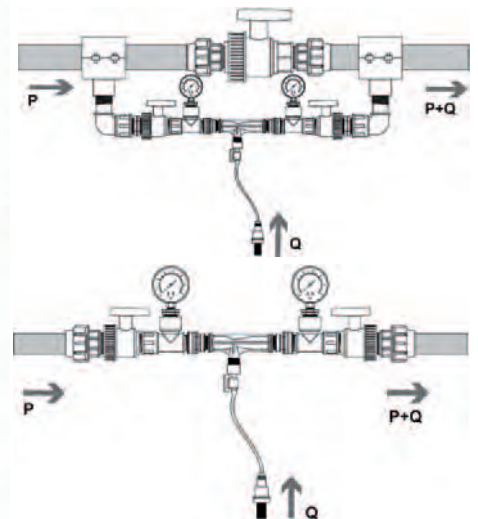
| PRESIÓN | | 3/4" Venturi | | 1" Venturi | | 1 1/2" Venturi | | 2" LF Venturi | | 2" Venturi | |
|---------------------------|--------------------------|----------------------------|---------------------------|----------------------------|---------------------------|----------------------------|---------------------------|----------------------------|---------------------------|----------------------------|---------------------------|
| Presión entrada BAR | Presión salida BAR | Caudal inyección L/H | Caudal aportado L/H | Caudal inyección L/H | Caudal aportado L/H | Caudal inyección L/H | Caudal aportado L/H | Caudal inyección L/H | Caudal aportado L/H | Caudal inyección L/H | Caudal aportado L/H |
| 1 | 0 | 828 | 162 | 3.540 | 460 | 5.700 | 1.020 | 5.820 | 1.020 | 14.400 | 2.320 |
| | 0,25 | | 144 | | 460 | | 680 | | 1.020 | | 2.320 |
| | 0,5 | | 78 | | 315 | | 680 | | 910 | | 1.950 |
| 1,5 | 0 | 1.056 | 160 | 4.020 | 460 | 6.660 | 1.020 | 6.750 | 1.100 | 16.800 | 2.320 |
| | 0,5 | | 138 | | 460 | | 1.020 | | 1.100 | | 2.320 |
| | 0,75 | | 72 | | 408 | | 800 | | 960 | | 1.780 |
| | 1 | | 42 | | 355 | | 408 | | 660 | | 1.020 |
| 2 | 0 | 1.212 | 157 | 4.500 | 450 | 7.440 | 1.020 | 7.540 | 1.100 | 18.900 | 2.320 |
| | 0,5 | | 151 | | 450 | | 1.020 | | 1.060 | | 2.320 |
| | 0,75 | | 145 | | 450 | | 1.020 | | 1.020 | | 2.320 |
| | 1 | | 112 | | 450 | | 970 | | 970 | | 2.320 |
| | 1,25 | | 52 | | 340 | | 630 | | 700 | | 1.780 |
| | 1,5 | | 24 | | 64 | | - | | 400 | | 980 |
| 2,5 | 0 | 1.350 | 160 | 4.920 | 450 | 8.160 | 1.020 | 8.280 | 1.100 | 20.100 | 2.300 |
| | 0,5 | | 157 | | 450 | | 1.020 | | 1.100 | | 2.320 |
| | 0,75 | | 156 | | 450 | | 970 | | 1.020 | | 2.320 |
| | 1 | | 150 | | 408 | | 970 | | 1.020 | | 2.320 |
| | 1,25 | | 132 | | 408 | | 970 | | 980 | | 2.320 |
| | 1,5 | | 88 | | 408 | | 740 | | 720 | | 1.720 |
| | 1,75 | | 45 | | 280 | | 315 | | 520 | | 920 |
| | 2 | | - | | 135 | | - | | 200 | | 450 |
| 3 | 0 | 1.482 | 159 | 5.280 | 440 | 8.880 | 1.020 | 8.990 | 1.060 | 22.500 | 2.320 |
| | 1 | | 156 | | 440 | | 1.020 | | 1.060 | | 2.320 |
| | 1,25 | | 154 | | 395 | | 970 | | 1.060 | | 2.320 |
| | 1,5 | | 144 | | 395 | | 970 | | 1.060 | | 2.320 |
| | 1,75 | | 99 | | 395 | | 950 | | 920 | | 1.870 |
| | 2 | | 55 | | 395 | | 510 | | 620 | | 1.250 |
| | 2,25 | | - | | 204 | | 160 | | 200 | | 780 |
| | 2,5 | | - | | 110 | | - | | - | | - |
| 3,5 | 0 | 1.548 | 157 | 5.700 | 440 | 9.540 | 1.020 | 9.700 | 1.060 | 24.300 | 2.320 |
| | 1 | | 156 | | 440 | | 1.020 | | 1.060 | | 2.320 |
| | 1,5 | | 154 | | 440 | | 970 | | 960 | | 2.320 |
| | 1,75 | | 152 | | 440 | | 970 | | 960 | | 2.320 |
| | 2 | | 114 | | 440 | | 970 | | 780 | | 2.320 |
| | 2,25 | | 79 | | 360 | | 710 | | 620 | | 1.620 |
| | 2,5 | | 45 | | 360 | | 310 | | 320 | | 1.050 |
| | 2,75 | | - | | 235 | | 105 | | - | | 450 |
| 4 | 0 | 1.644 | 157 | 6.000 | 440 | 10.080 | 1.020 | 10.220 | 1.060 | 25.800 | 2.320 |
| | 1 | | 156 | | 440 | | 1.020 | | 1.060 | | 2.320 |
| | 2 | | 153 | | 440 | | 1.020 | | 1.060 | | 2.320 |
| | 2,25 | | 140 | | 440 | | 970 | | 980 | | 2.180 |
| | 2,5 | | 91 | | 440 | | 850 | | 820 | | 2.080 |
| | 2,75 | | 55 | | 425 | | 550 | | 540 | | 1.320 |
| | 3 | | - | | 315 | | 210 | | 220 | | 580 |
| | 3,25 | | - | | 155 | | - | | - | | - |
| 4,5 | 0 | 1.750 | 158 | 6.360 | 425 | 10.680 | 1.020 | 10.850 | 1.060 | 26.400 | 2.320 |
| | 1 | | 157 | | 425 | | 1.020 | | 1.060 | | 2.320 |
| | 2 | | 157 | | 425 | | 1.020 | | 1.060 | | 2.320 |
| | 2,5 | | 154 | | 425 | | 1.020 | | 1.060 | | 2.180 |
| | 2,75 | | 114 | | 425 | | 970 | | 980 | | 1.780 |
| | 3 | | 84 | | 425 | | 680 | | 620 | | 680 |
| | 3,25 | | 72 | | 420 | | 340 | | 350 | | 420 |
| | 3,5 | | 44 | | 290 | | - | | 210 | | - |
| | 3,75 | | 12 | | 145 | | - | | - | | - |
| 5 | 0 | 1.840 | 157 | 6.600 | 425 | 11.160 | 1.020 | 11.310 | 1.060 | 28.500 | 2.320 |
| | 1 | | 156 | | 425 | | 1.020 | | 1.060 | | 2.320 |
| | 2 | | 156 | | 425 | | 1.020 | | 1.060 | | 2.320 |
| | 3 | | 150 | | 425 | | 970 | | 980 | | 2.320 |
| | 3,25 | | 120 | | 425 | | 760 | | 420 | | 1.480 |
| | 3,5 | | 90 | | 425 | | 490 | | 480 | | 880 |
| | 3,75 | | 66 | | 330 | | 190 | | 180 | | 450 |
| | 4 | | 31 | | 235 | | - | | - | | - |
| | 4,25 | | - | | 110 | | - | | - | | - |
| 5,5 | 0 | 1.935 | 157 | 6.900 | 425 | 11.700 | 1.020 | 11.850 | 1.060 | 30.000 | 2.320 |
| | 1 | | 156 | | 425 | | 1.020 | | 1.060 | | 2.320 |
| | 2 | | 156 | | 425 | | 1.020 | | 1.060 | | 2.320 |
| | 3 | | 156 | | 425 | | 1.020 | | 1.060 | | 2.280 |
| | 3,25 | | 150 | | 425 | | 970 | | 980 | | 2.120 |
| | 3,5 | | 132 | | 425 | | 970 | | 950 | | 1.120 |
| | 3,75 | | 102 | | 420 | | 650 | | 650 | | 1.020 |
| | 4 | | 72 | | 420 | | 340 | | 320 | | 950 |
| | 4,25 | | 46 | | 320 | | - | | - | | 240 |
| | 4,5 | | 12 | | 170 | | - | | - | | - |
| | 4,75 | | - | | 90 | | - | | - | | - |

GENERAL PROPERTIES:

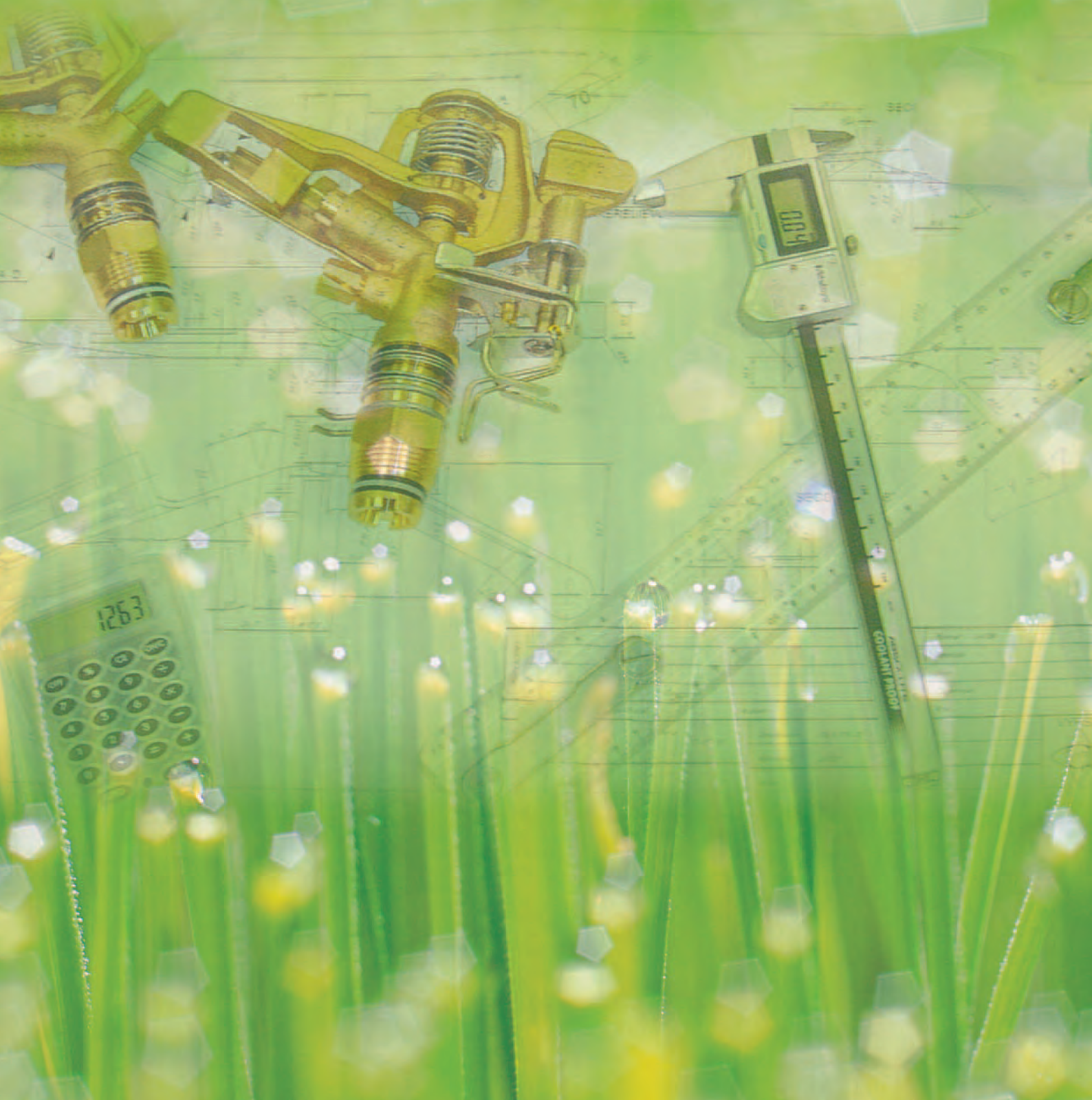
- Venturi injector with metering control valve and suction filter mesh.
- Optional flow-meter needle for dosing measuring.
- Built-in non-return valve.

MODELS:

- Ref. 131381: Venturi 3/4"
- Ref. 131386: Flow meter for venturi 3/4"
- Ref. 131382: Venturi 1"
- Ref. 131387: Flow meter for venturi 1"
- Ref. 131383: Venturi 1 1/2"
- Ref. 131388: Flow meter for venturi 1 1/2"
- Ref. 131384: Venturi 2"
- Ref. 131389: Flow meter for venturi 2"



Technical Data



Choosing a sprinkler and its nozzles

1 The application rate of the sprinkler must be lower than the maximum permeability of the ground.

2 The application rate is obtained dividing the flow of the sprinkler, expressed in l/h, by the surface area being irrigated, in m².

Example: if we have a sprinkler that at 3 kg/cm² of pressure delivers a flow of 1870 l/h, and the sprinklers are installed in areas of 18 x 18 m (324 m²), the application rate would be:

$$1870 \text{ (l/h)} / 324 \text{ m}^2 = 5.7 \text{ milímetros/hour (mm/h)}$$

3 The sprinkler irrigation systems must have application rates of between 5 and 7 mm/h

4 Small application rates are recommended for heavy ground (clay soil) or unlevel land.

5 The maximum amount of water that a surface is able to absorb in a hour, depending on its soil texture, is shown in the following chart:

| Ground texture | Maximum permeability (mm/h): |
|-----------------|------------------------------|
| Sandy..... | 19 |
| Loamy sand..... | 12.7 |
| Sandy loam..... | 10.9 |
| Loam | 8.9 |
| Silt loam..... | 7.6 |
| Clay loam..... | 6.4 |
| Silty clay..... | 5 |
| Clayey..... | 3.8 |

6 The sprinklers must contribute sufficient flow to the crops according to the number of irrigations and their duration.

7 Sprinkler irrigation characteristics:

| Characteristic | Recommendations |
|-----------------|---|
| Pressure | Irrigate at an average pressure higher than 3 kg/cm ² per section. Frost protection sprinklers work at higher pressures. If, due to technical reasons, you must change the nozzles for ones with larger diameters, make sure that you have enough pump pressure for the specific area. If there is not enough pressure you must create new areas with less sprinklers per area. Check the installation's pressure gauge values frequently. |
| Nozzles | We recommend using two nozzle sprinklers. The main nozzle (jet) provides longer distances and flow. Never modify the nozzles; do not try to increase the size of the outlet orifice. The horizontal cut in the secondary nozzle must always be positioned at 9 o'clock. Make sure that all the sprinklers are the same type and brand and have the same number and size of nozzles. |
| Irrigation area | For travelling systems we recommend using rectangular areas of 12 x 15 or 12 x 18 metres (try to keep these areas constant). For in-ground irrigation systems we recommend using the following nozzles: 4 + 2.4 mm (18 x 15 triangular area) 4.4 + 2.4 mm (15 x 15 area) and 4.8 + 2.4 mm (18 x 18 area). |
| Other | Using your irrigation system at night will result in less evaporation loss and lower energy costs. Program irrigation considering ground permeability and water availability. Use irrigation products that are quality certified and guaranteed. |

8 The recommended calculating distance between sprinklers depending on the irrigation diameter.

9 Sprinklers do not distribute water evenly; the area closest to the sprinkler receives the most water while the area farthest from the sprinkler receives the least. Therefore, for full coverage, it is necessary to use an overlapping sprinkler pattern when using a multiple sprinkler system.

| | | | |
|-------------------------|-----|-----|-----|
| Between sprinklers..... | 50% | 45% | 30% |
| Between lines..... | 65% | 60% | 50% |



Precipitation rate

What is the Precipitation Rate?

A storm that covers an area with 20 l/m² of water in one hour has a "precipitation rate" of 20 l/m² of water per hour. Likewise, the precipitation rate is the "speed" at which a sprinkler or irrigation system applies water.

If someone told you that they were caught in a storm that dropped 20 l/m² (1 inch) of water in one hour, you would have a good idea of how "strong" the storm was.

Are all the precipitation rates the same?

Absolutely not! There are different levels and rates of precipitation, depending on the type of nozzle used and the spacing of the sprinklers (quadrangular, triangular or linear).

The rates normally vary between:

LOW: 0.5 inches/h (13 mm) and lower • MEDIUM: 0.5 - 1 inch/h (13-25 mm) • HIGH: 1 inch/h (25 mm) and higher

Calculating Precipitation Rates

Depending on the design of the irrigation system, the precipitation rate may be calculated by either the "sprinkler spacing" method or the "total area" method.

Sprinkler spacing method. The precipitation rate must be calculated individually in each area. If all the sprinklers have the same spacing pattern, flow and arc, use one of the following formula:

■ Any arc and spacing distance:

$$PR.(\text{inches/h}) = \frac{\text{GPM (for any arc)} \times 34,650}{\text{Arc degree} \times \text{Sprinklerspacing (feet)} \times \text{Line spacing (feet)}}$$

$$PR. (\text{mm/h}) = \frac{\text{m}^3/\text{h (for any arc)} \times 360}{\text{Arc degree} \times \text{Sprinklerspacing (m)} \times \text{Line spacing (m)}}$$

$$PR. (\text{mm/h}) = \frac{\text{l/min (for any arc)} \times 21,600}{\text{Arc degree (m)} \times \text{Sprinkler spacing (m)} \times \text{Line spacing (m)}}$$

▲ Equilateral triangular spacing:

$$PR.(\text{inches/h}) = \frac{\text{GPM Arc of } 360 \times 96,25}{\text{Sprinkler spacing}^2 \times 0,866}$$

$$PR. (\text{mm/h}) = \frac{\text{m}^3/\text{h Arc of } 360 \times 1,000}{\text{Sprinkler spacing}^2 \times 0,866}$$

$$PR. (\text{mm/h}) = \frac{\text{l/min} \times 60}{\text{Total area}}$$

Uniformity coefficient

FORMULA FOR CALCULATING THE UC OF AN AREA:

$$CU_{\text{zona}} = 100 \times \frac{\text{volumen medio de la cuarta parte de los vasos con menos agua}}{\text{volumen medio de todos los vasos}} = 100 \times \frac{V_{25\%}}{V_m}$$

FORMULA FOR CALCULATING THE UNIFORMITY OF AN IRRIGATION UNIT TAKING PRESSURE CHANGES INTO ACCOUNT:

$$CU = CU_{\text{zona}} \times \frac{1 + 3 \times \sqrt{\frac{\text{Presión mínima}}{\text{Presión media}}}}{4} = CU_{\text{zona}} \times \frac{1 + 3 \times \sqrt{\frac{P_{\text{min}}}{P_m}}}{4}$$

$$P_{\text{media}} = \frac{2 \times P_{\text{mínima}} + P_{\text{máxima}}}{3}$$

Frost protection irrigation

In most cases, damage caused by frost can be prevented by spraying the crops with water during periods of frost. Sprinkler irrigation on plant foliage is one of the most effective methods of preventing damage to delicate crops.

HOW IRRIGATION FOR FROST PROTECTION WORKS

This method is based on three factors:

1. Latent heat is released as water freezes. This latent heat prevents the temperature of the plants from dropping below the freezing point.
2. A mixture of ice and water exposed to below-freezing conditions stays around 0° C until it is completely frozen.
3. Plant sap is not pure water; therefore plants have a lower freezing point than 0° C (32° F). Most plants do not get damaged by frost until temperatures drop well below freezing.

IMPORTANT CONSIDERATIONS

This method is based on three factors:

1. Sprinkler rotation speed:

In order to maintain a stable temperature the sprinkler must rotate quickly. The sprinkler must complete a rotation in less than 30 seconds in order to be deemed quick enough (the ideal rotation speed is normally between 30 and 40 seconds).

2. Water application level:

The volume of water in relation to its application rate is one of the most important considerations when designing a frost protection irrigation system. The application rate is calculated after considering several factors, such as temperature, wind speed and humidity levels (see the table with minimum precipitation levels).

Wind can affect evaporation levels as well as uniformity, resulting in more water having to be applied in order to provide the same protection as in the absence of wind.

3. Uniformity:

An effective frost protection system depends on how the sprinkler distributes the water.

You must pay special attention when evaluating the spacing between sprinklers, operational pressures and conditions. An acceptable design should result in a Uniformity Coefficient equal to or greater than 84% and a Distribution Uniformity equal to or greater than 75%.

ADDITIONAL CONSIDERATIONS

Prolonged periods of frost and the application of frost protection irrigation may result in a significant accumulation of ice on the plants. The irrigation system should generally be started at around 2° C to prevent water from freezing inside the pipes.

SPECIFIC FROST PROTECTION

The reason for using specific frost protection is to reduce the protected area to just the plant crop. This allows the system to operate with reduced flow and pressure, saving you water and money.

CONCLUSIONS

A delicate crop can be destroyed by frost in just one night. The use of advanced irrigation systems for frost protection is an effective method for protecting your investment. Nevertheless, the correct design and use of these systems is very important for satisfactory results.

| Niveles mínimos de aplicación (árboles frutales) | | | | | |
|--|---------|---------|---------|---------|---------|
| Temperatura mínima aproximada (°C) | -3 a -4 | -4 a -5 | -5 a -6 | -6 a -7 | -7 a -8 |
| Tasa de aplicación (mm/h) | 2,5 | 3 | 3,8 | 4,6 | 6,4 |





Conversion factors

| Para convertir | De | A | Multiplicar por |
|-----------------|----------------------------------|------------------------------|-----------------|
| ÁREA | metro ² | pie ² | 10,764 |
| | pulgada ² | centímetro ² | 6,452 |
| | hectáreas | metro ² | 10000 |
| | hectáreas | acres | 2,471 |
| ENERGÍA | kilovatios | caballos | 1,341 |
| CAUDAL | pie ³ / minuto | metro ³ / segundo | 0,0004719 |
| | pie ³ / segundo | metro ³ / segundo | 0,02832 |
| | yardas ³ / minuto | metro ³ / segundo | 0,01274 |
| | galón / minuto | metro ³ / hora | 0,22716 |
| | galón / minuto | litro / minuto | 3,7854 |
| | galón / minuto | litro / segundo | 0,06309 |
| | metro ³ / hora | litro / minuto | 16,645 |
| | litro / minuto | litro / segundo | 0,2774 |
| LONGITUD | pulgada | centímetro | 2,540 |
| | pie | metro | 0,30481 |
| | kilómetro | millas | 0,6214 |
| | millas | pie | 5280 |
| | millas | metro | 1609,34 |
| | milímetro | pulgada | 0,03937 |
| PRESIÓN | PSI (libra por pulgada cuadrada) | kilopascales (kPa) | 6,89476 |
| | PSI | bares | 0,068948 |
| | bares | kilopascales (kPa) | 100 |
| | PSI | pies de cabeza | 2,31 |
| VELOCIDAD | pies / segundo | metro / segundo | 0,3048 |
| VOLUMEN | pies ³ | litro | 28,32 |
| | metro ³ | pies ³ | 35,31 |
| | metro ³ | yarda ³ | 1,3087 |
| | yarda ³ | pies ³ | 27 |
| | yarda ³ | galón | 202 |
| | acres / pies | pies ³ | 43,56 |
| | galón | metro ³ | 0,003785 |
| | galón | litro | 3,785 |
| galón principal | galón (U.S.) | 1,201 | |

Wiring sizes

| Resistencia del cable de cobre | | Tabla 1 |
|--------------------------------|---------------|--|
| Sección del cable No. AWG | Diámetro (mm) | Resistencia a 20°C (68°F) ohmios por 300m (1,000') |
| 18 | 1,02 | 6,39 |
| 16 | 1,29 | 4,02 |
| 14 | 1,63 | 2,52 |
| 12 | 2,05 | 1,59 |
| 10 | 2,59 | 1,00 |
| 8 | 3,26 | 0,63 |
| 6 | 4,11 | 0,40 |
| 4 | 5,19 | 0,25 |

NECESSARY INFORMATION:

- Actual length of wire between the controllers and the energy source or the controllers and the electrically operated valves.
- Allowable voltage loss along the wire circuit.
- Cumulative current flow in the wire section, measured in amperes.

RESISTANCE IS CALCULATED USING THIS FORMULA:

$$R = \frac{1000 \times AVL}{2L \times I}$$

R= Maximum allowable resistance of the wire in ohms per 300 m (1,000)
 AVL= Allowable voltage loss
 L= Length of the wire (one direction)
 I= Inrush current

EXAMPLES OF VALVE WIRE SIZING:

The distance from the controller to the valve is 366 m (1200 feet). The output of the controller is 24 V. The electrically operated valve has a minimum operating voltage of 20 V and an inrush current of 370mA (0.37 A).

$$R = \frac{1000 \times 4}{2(1200) \times 0,37} \quad R = \frac{4000}{888}$$

Therefore, the resistance of the wire cannot exceed 4.5 ohms per 300 m (1,000 feet). Now, go to table 1 and select the appropriate wire size. Since 6 gauge wire has a lower resistance than 4.5 ohms per 300 m (1,000 feet), choose 4 gauge wire.

| Medición del cable de la electroválvula (distancia máxima unidireccional entre los programados y la electroválvula en Metros) | | | | | | | | |
|---|--------------|------------------|-----|------|------|------|------|------|
| CABLE DE TIERRA / COMÚN | | CABLE DE CONTROL | | | | | | |
| 1AWG No. | Diámetro mm. | 18 | 16 | 14 | 12 | 10 | 8 | 6 |
| 18 | 1,02 | 250 | 30 | 360 | 400 | 440 | 460 | 480 |
| 16 | 1,29 | 310 | 400 | 500 | 580 | 650 | 710 | 740 |
| 14 | 1,63 | 360 | 500 | 650 | 800 | 930 | 1050 | 1120 |
| 12 | 2,05 | 410 | 580 | 800 | 1000 | 1270 | 1480 | 1640 |
| 10 | 2,59 | 440 | 650 | 930 | 1270 | 1640 | 2030 | 2340 |
| 8 | 3,26 | 460 | 710 | 1050 | 1480 | 2030 | 2650 | 3200 |
| 6 | 4,11 | 480 | 740 | 1120 | 1640 | 2340 | 3200 | 4000 |

Solenoid: 24V, Presión: 10 bares (150 PSI), Caída de voltaje: 4V, Voltaje mínimo de funcionamiento: 20V, Máximo amperaje: 0,37A (60Hz)

Technical support

If you need any technical assistance, contact your nearest VYRSA dealer or installer. Please feel free to contact us at any time, simply e-mail us at: vyrsa@vyrsa.com, or phone us during office hours at: **+34 947 26 22 26**

Warranty

VYRSA guarantees that all of our Irrigation Control System products (controllers, sensors, valves and solenoids) will be in proper working order and free from defects for a period of two (2) years from the date of manufacture. All our models of agricultural sprinklers, garden sprinklers and irrigation accessories are warranted against material and manufacturing defects for a period of three (3) years from the date of manufacture. If you notice any defect in one of our products while under warranty, VYRSA, at its option, will repair or replace the defective product or part.

This warranty does not apply to repairs, adjustments or replacements of products that have been: altered, misused, neglected, exposed to chemical agents or improperly installed/maintained. This warranty only extends to the original installer of the VYR product.

If a defect occurs in a VYR product during the time covered by our warranty, you should contact your authorised VYR Distributor or Installer as soon as possible.

VYRSA'S OBLIGATION IS TO REPAIR OR REPLACE THE DEFECTIVE PRODUCT ACCORDING TO THE INFORMATION PRESENTED ABOVE IN OUR WARRANTY. THERE IS NO OTHER TYPE OF WARRANTY, EXPRESSED OR IMPLIED, INCLUDING WARRANTIES REGARDING TRANSPORT OR FITNESS FOR A PARTICULAR PURPOSE. VYRSA SHALL NOT BE LIABLE IN CONTRACT, TORT, NEGLIGENCE, OR OTHERWISE FOR DAMAGES CAUSED OR CLAIMED TO BE CAUSED AS A RESULT OF ANY DESIGN OR DEFECT IN VYR PRODUCTS, OR FOR ANY SPECIAL, INCIDENTAL OR CONSEQUENTIAL DAMAGES OF ANY NATURE.

If you have any questions regarding this warranty or its application, please contact us at:

VYR S.A. · Polig. Ind. N-1 · 09001 Burgos, SPAIN

Certification

VYR S.A. is certified under the ISO 9001-2015 quality assurance standards for the manufacture of sprinklers, valves, control systems and irrigation accessories.

All the technical data shown in the different tables of this catalog have been endorsed by the different tests carried out in International Certified Centers such as CENTER (Madrid), CIT (USA), or CEMAGREF (France).

Training

Ask a professional and all your problems will be solved efficiently and cost-effectively. In our **Training Rooms** we offer our customers courses to help them get the best possible performance out of our products. Let us share our knowledge with you; we will show you to how manage your sprinkler irrigation system to best effect.

We at **VYRSA** would like to offer you our wide range of irrigation products for all your cultivation and garden needs as well as technical support to provide the best possible service.

Nozzles

Measurements, Combinations and References

VYR-3000 MICRO

Micro bailarinas

| | |
|--------|--------|
| 430006 | 430002 |
| 430005 | 430003 |
| 430004 | |

Micro-boq. rosca tubo

| | | |
|-------------|------------|------------|
| 430228 160L | 430220 30L | 40L |
| 430227 120L | 430221 | 430222 50L |
| 430226 100L | 430225 80L | 430224 70L |
| 430223 60L | | |

Micro-boquillas espita

| | | |
|-------------|------------|------------|
| 430128 160L | 430120 30L | 40L |
| 430127 120L | 430121 | 430122 50L |
| 430126 100L | 430125 80L | 430124 70L |
| 430123 60L | | |

Micro-boq. rosca 1/8"

| | | |
|-------------|------------|------------|
| 430248 160L | 430240 30L | 40L |
| 430247 | 430241 | 430242 50L |
| 430246 | 430245 80L | 430244 70L |
| 430243 60L | | |

VYR-3100

Boquillas Bayoneta

| | |
|---------------|---------------|
| 103103 2,2 mm | 103101 1,5 mm |
| 103102 1,8 mm | |

VYR-3250

Boquillas Bayoneta

| | |
|---------------------|---------------------|
| 103254 1,6 mm 1/16" | 103250 1,8 mm 3/64" |
| 103253 2,4 mm 3/32" | 103251 1,9 mm 1/16" |
| 103252 2,0 mm 5/64" | |

VYR-16

Boquillas Bayoneta Radio Largo

| | |
|---------------------|---------------------|
| 116035 3,6 mm 9/64" | 116025 2,5 mm 3/32" |
| 116032 3,2 mm 1/8" | 116028 2,8 mm 7/64" |
| 116030 3,0 mm 0,12" | |

Boquillas Bayoneta Radio Corto

| | |
|---------------------|---------------------|
| 116126 2,6 mm 7/64" | 116018 1,8 mm 1/16" |
| 116020 2,0 mm 5/64" | |

Tapones

| |
|--------------|
| 116000 Tapón |
|--------------|

www.vyrsa.com

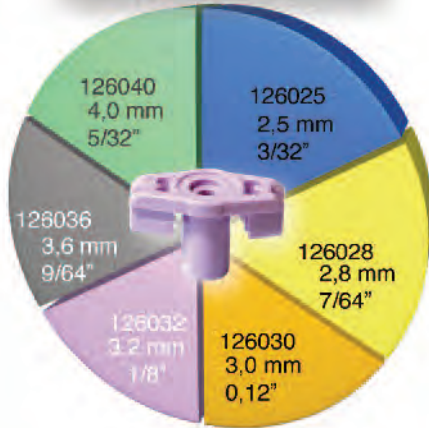
221

Nozzles

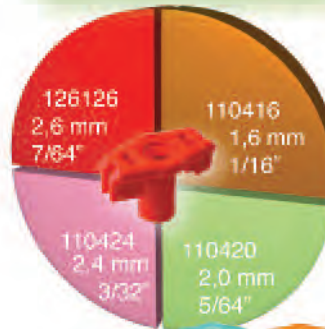
Measurements, Combinations and References

VYR-26

Boquillas Bayoneta Radio Largo



Boquillas Bayoneta Radio Corto

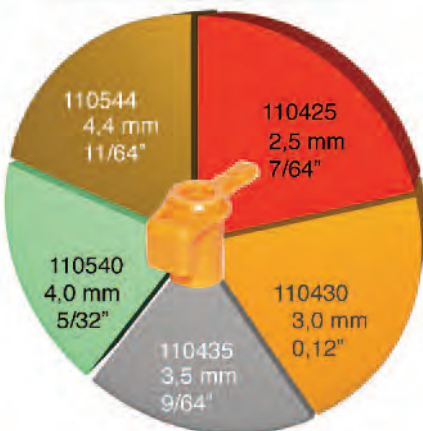


Tapones



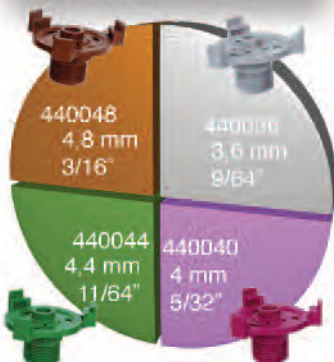
Boquillas bayoneta

VYR-802-803-962

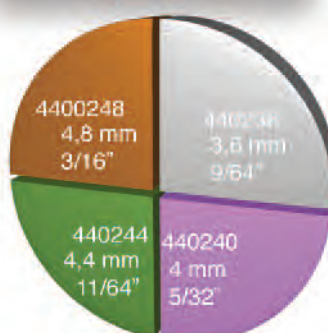


VYR-4000 ROTEC

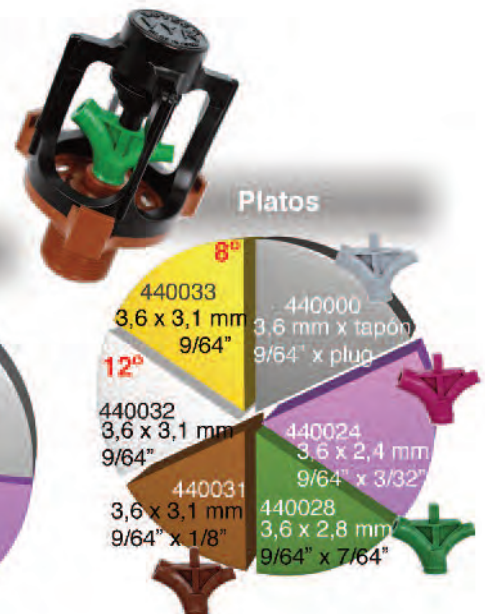
Boquillas 3/4"



Boquillas 1/2"



Platos

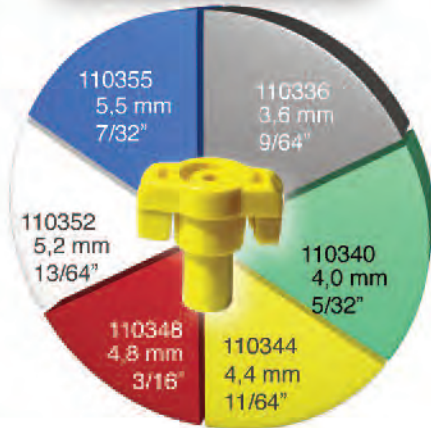


Nozzles

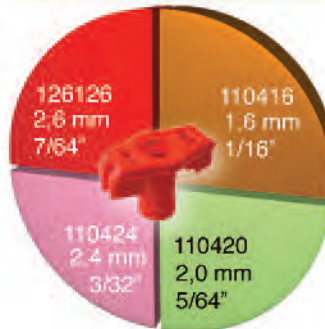
Measurements, Combinations and References

VYR-37-67

Boquillas Radio Largo



Boquillas Radio Corto

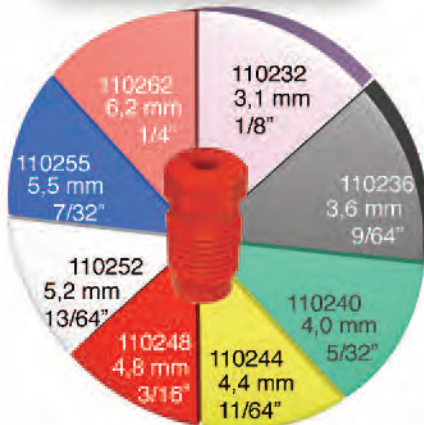


Tapones

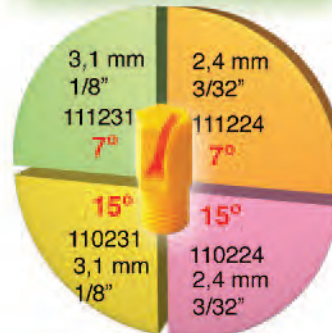


VYR-36-66-35-60-46-70-56

Boquillas 1/4" Cortas



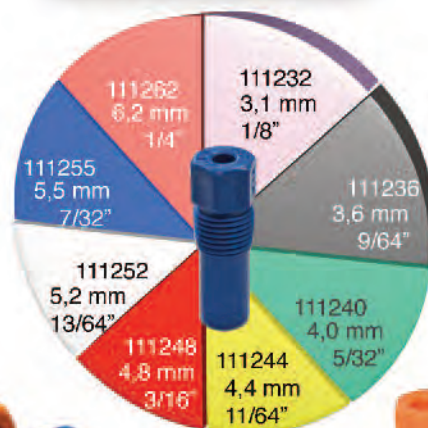
Boquillas 3/8" Fresadas



Tapones



Boquillas 1/4" Largas

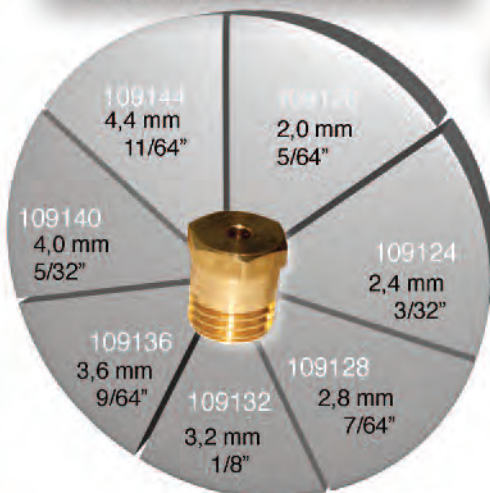


Nozzles

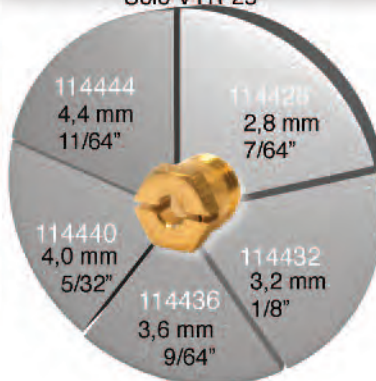
Measurements, Combinations and References

VYR-3-25-50-80

Boquillas 3/8" Redondas



Boquillas 3/8" Ranuradas
Solo VYR-25

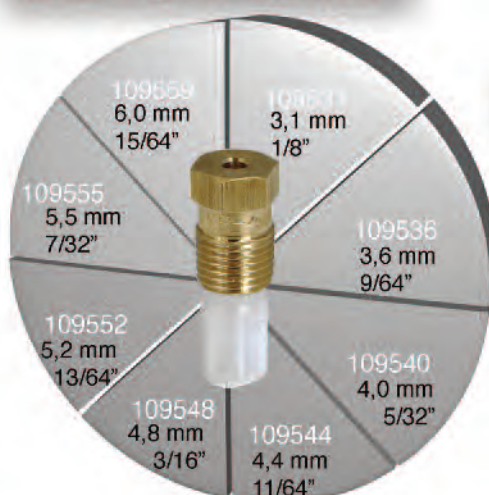


Tapones



VYR-20-23-33-35-36
-46-56-60-66-70

Radio Largo 1/4" Redondas



Radio Corto 1/4" Fresadas
(VYR-23-46)

Radio Corto 3/8" Fresadas

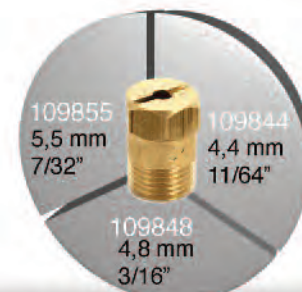


**VYR-23-46

Tapones



Radio Largo 5/8" Redondas



Radio Corto 5/8" Fresadas



Tapones

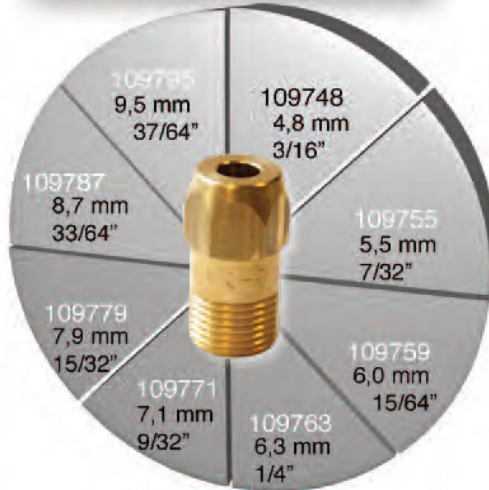


Nozzles

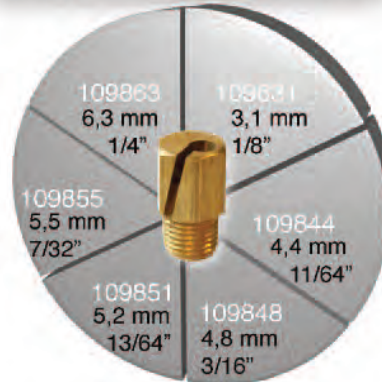
Measurements, Combinations and References

VYR-65-166

Radio Largo 5/8" Redondas



Radio Medio 3/8" Fresadas



Tapones

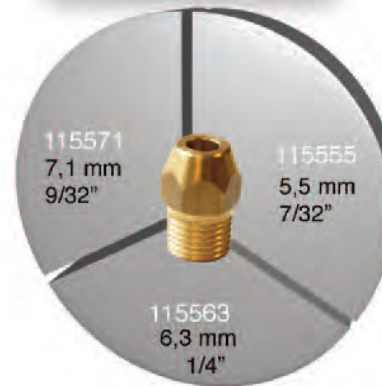


VYR-155

Radio Largo 1/2" Redondas



Radio Medio 1/4"

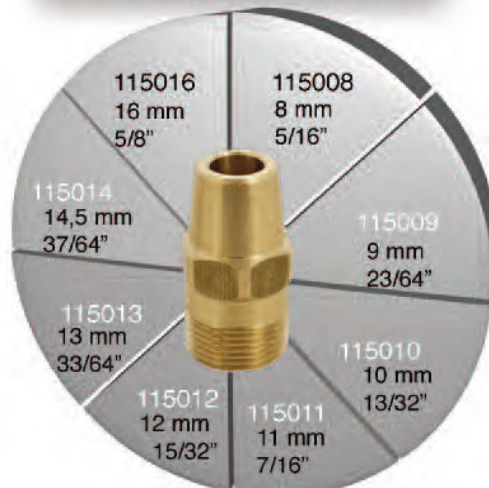


Boquillas Radio Corto y Tapones



VYR-150-160

Radio Largo 5/8" Redondas



Radio Corto 3/8" Fresadas



Tapones



Nozzles

Measurements, Combinations and References

VYR-144



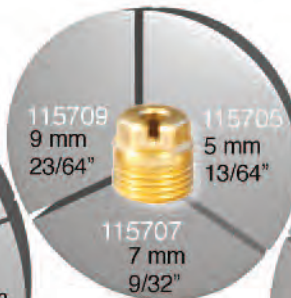
VYR-100



VYR-175



VYR-157 S - 157 L





Nozzles

SELECTION OF A NOZZLE:

- When choosing the optimal nozzles for a sprinkler, first make sure that the working pressure is within the range marked in the tables of each sprinkler model and that the flow in the network is sufficient. Depending on the operating pressure, we will use different nozzles to achieve the desired irrigation and rainfall frame, also following the data of the nozzle tables in each sprinkler model. To achieve a good coefficient of uniformity we will need to make a correct nozzle choice and that the spacing between sprinklers and laterals is the ideal one. Try looking for a large drop size to avoid wind drifts. Secondary (tail) nozzles are always recommended and increase uniformity.

Do not hesitate to consult our professionals when choosing the nozzles of your sprinklers!



Vanes

DESCRIPTION:

- The VYR sprinklers are shipped mounted with standard nozzle and pods unless requested by our customers for another desired combination, depending on their installation format. Always consider factors such as spacing between sprinklers, prevailing average winds, type of crop, types of soil, etc. Some plastic nozzles already incorporate the deflecting blades inside, so the additional installation of the pods is not necessary. The exchange of pods mainly influences the 3/4" sprinklers with brass nozzles.

TECHNICAL SPECIFICATIONS:

Long white VL vane: Eliminates turbulence before the water comes out of the nozzle, achieving its maximum reach under medium-high pressure conditions of 3-6 BAR (35-50 PSI).

Short black vane VC: Eliminates part of the turbulence in the last section of the water before the exit through the nozzle. Recommended use under average pressure conditions of 3-4.5 BAR (35-50 PSI).

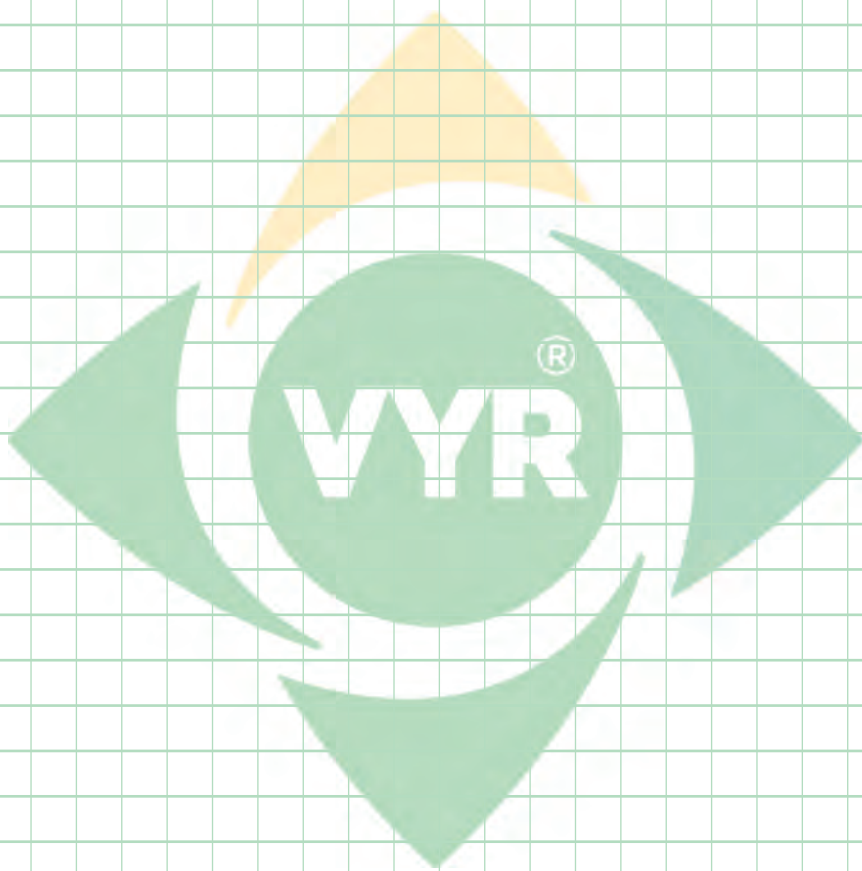
No vane VS: The turbulences that come right out of the water through the nozzle are not eliminated causing a drop something more broken and smaller radius of reach. For average pressures of 3.4.5 BAR (35-50 PSI).

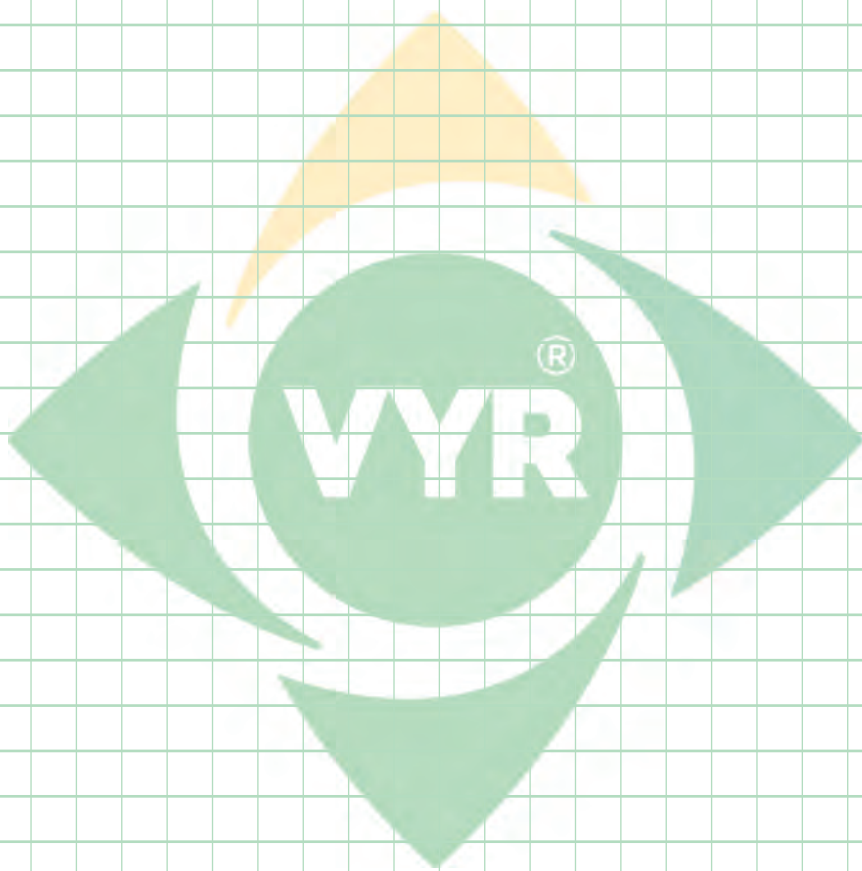
VR red vane: Causes helical turbulence before the water leaves the nozzle, thus causing a more broken stream with a smaller drop. This causes sacrificing part of the scope of the sprinkler at medium-high pressures, but improves sprinkler operation and CU with low pressures of 1.8-2.5 BAR (25-35 PSI).

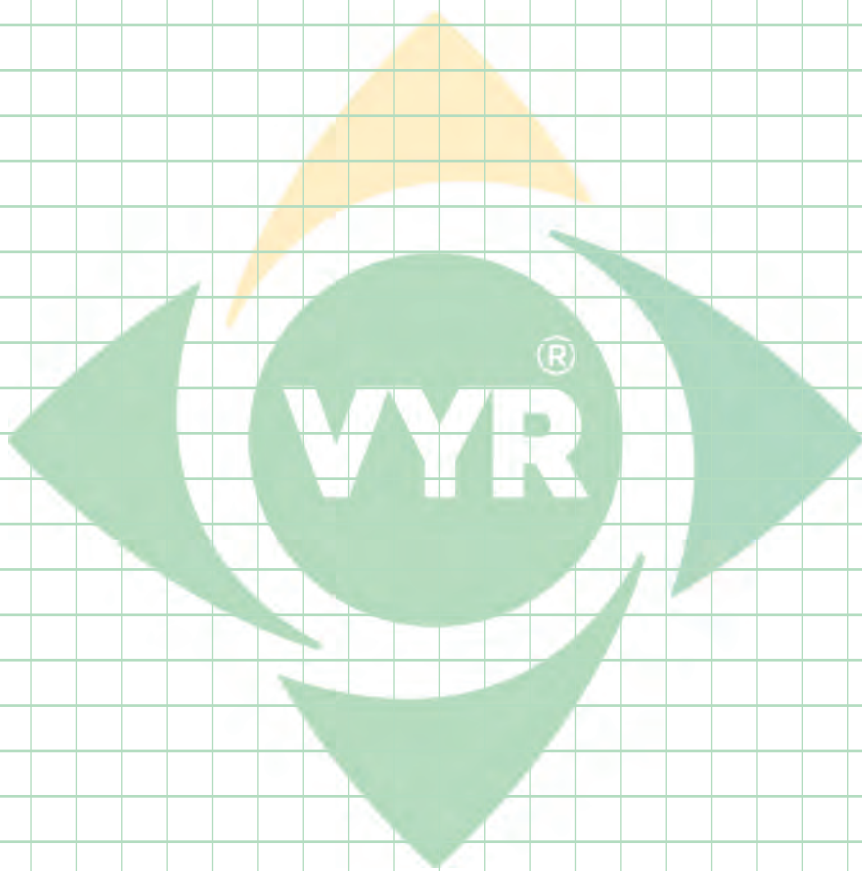
VA blue vane: Causes strong helical turbulence with lower flow rate before the water leaves the nozzle, thus causing a more broken jet with a smaller drop. This causes sacrificing part of the scope of the sprinkler at medium-low pressures, but improves sprinkler operation and CU with very low pressures 1.4-2.2 BAR (20.30 PSI).

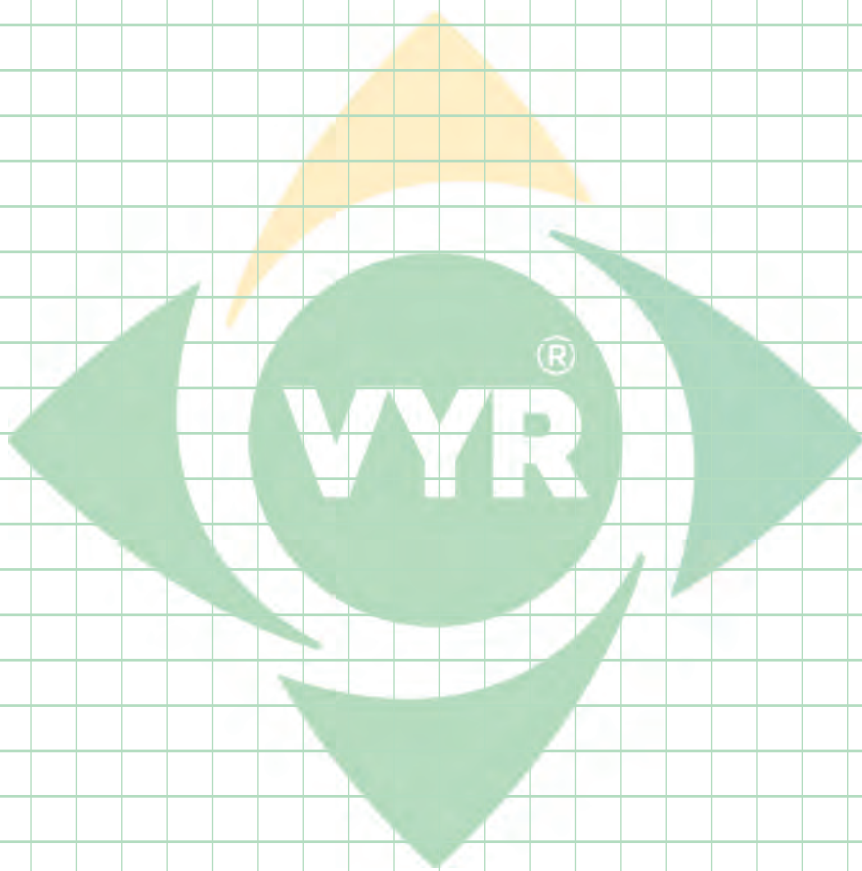
NOTE: In the orders, the ending -VL, -VC, -VS, -VR or VA will be added at the end of the sprinkler + nozzles reference to specify the type of pod that is installed. (Ex.: 0035204424-VR / "Sprinkler VYR-35 female with 4,4x2,4 mm nozzles and red sheath").













PROFESSIONAL IRRIGATION SYSTEMS
... FOR A SUSTAINABLE WORLD

VYR S.A.

Polígono Industrial N-1
09001 Burgos, SPAIN

Tlf.: +34 947 26 22 26

Fax: + 34 947 26 21 24

E-mail: vyrsa@vyrsa.com

Web: www.vyrsa.com

